



Boldly Creative



Expert Customer Service



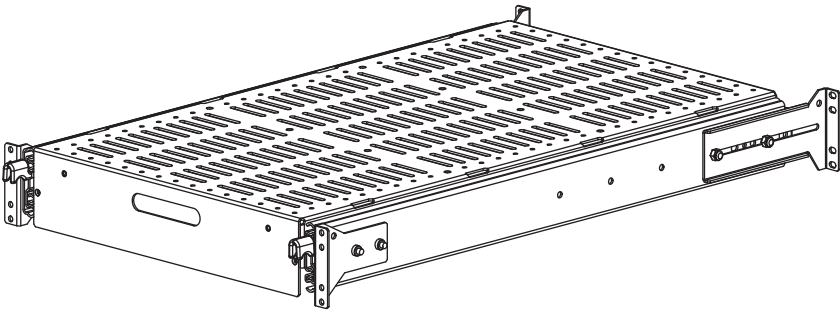
Focus On Quality



Ships Same Day

Patent(s) Pending

Sliding XHD Shelf Kit



Installation Instructions

Kit P/N: 115-4044

Kit Contents

Kit Contents:

(1) Sliding XHD Shelf Kit

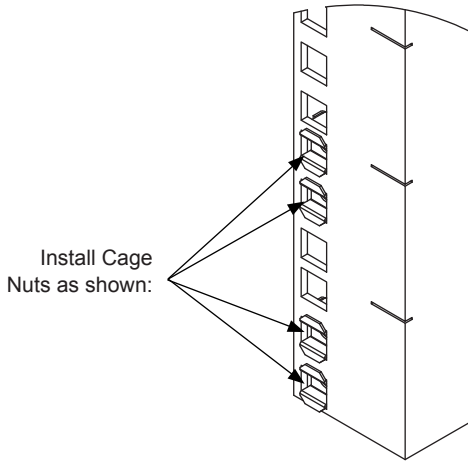
Mounting Hardware:

(16) M6 x 12mm Pan Head Screw

(16) M6 Cage Nut

Installation Instructions

Step 1. Rack Setup: Install (16) cage nuts front and back of rack as shown below.

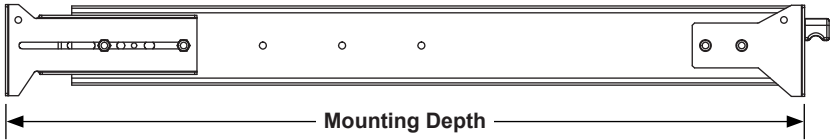


Note: Using fasteners other than the ones provided will result in reduced weight capacity.

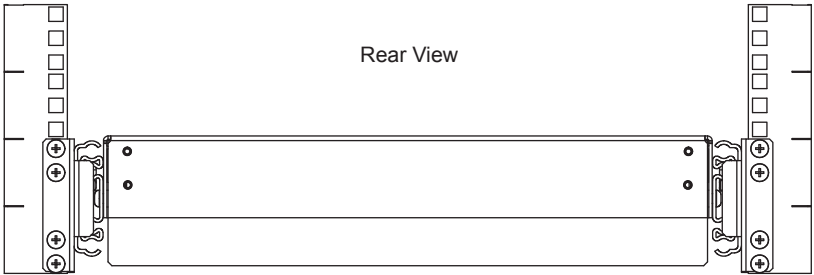
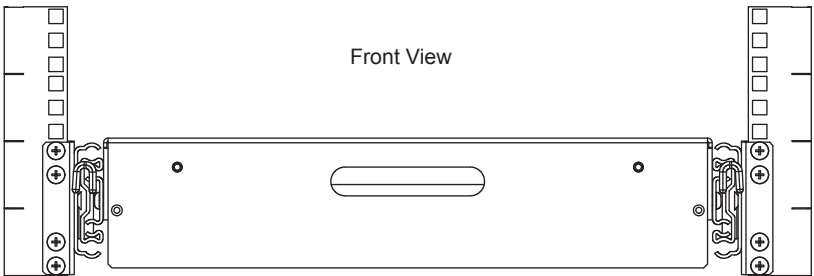
Step 2. Mounting Depth: Measure the "Mounting-Depth" for your rack from the front of the "Front-Mounting-Surface" to the back of the "Back-Mounting-Surface". This shelf can be used in racks ranging from 18" to 30".

Installation Instructions

Step 3. Adjust rail depth: Loosen fasteners on rear brackets and adjust mounting depth as necessary. Tighten fasteners once mounting depth has been set.



Step 4. Rack Installation: Attach the front and back of the Shelf to the rack. Hardware is provided for square hole racks (M6 Screw + Cage Nut) Tighten all screws.





Boldly Creative



Expert Customer Service



Focus On Quality



Ships Same Day

Warranty Statement

Innovation First, Inc. warrants our products against defects in material and workmanship for a period of one (1) year from the date of purchase. Innovation First, Inc. liability shall be limited to repairing or replacing, at our option, any defective product.

4044