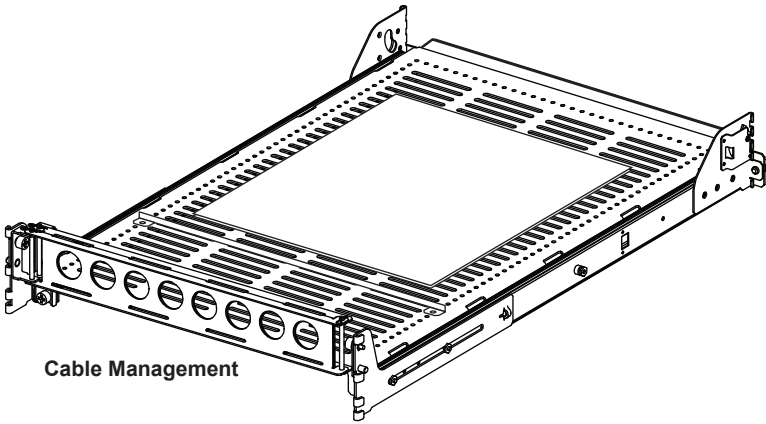
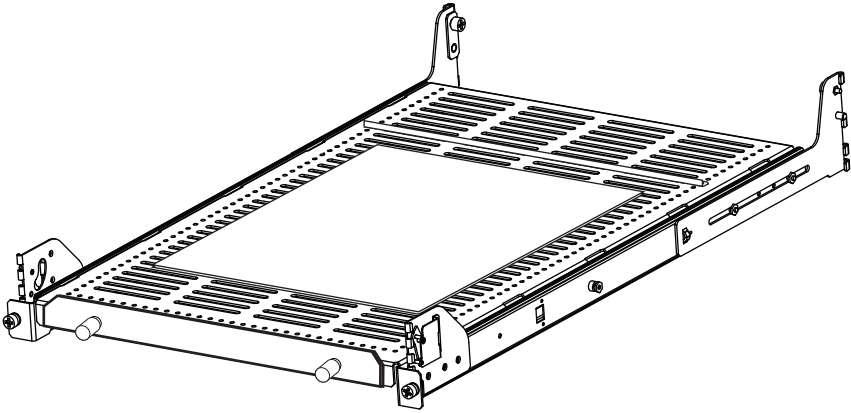




Medium Duty Tool-Less Sliding Shelf



Cable Management

Installation Instructions

Kit P/N: 115-1473

Kit P/N: 115-1516

Kit P/N: 137-1471

Kit P/N: 137-1515

Kit Contents

Assembly Components:

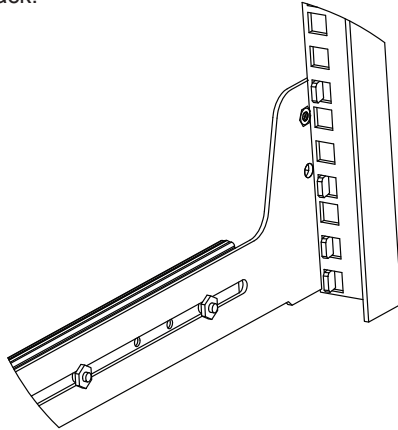
- (1) Left Rail
- (1) Right Rail
- (2) Retainer Brackets
- (1) Anti-Slip Mat
- (1) Rear Stop
- (1) Front Stop

Assembly Hardware Kit:

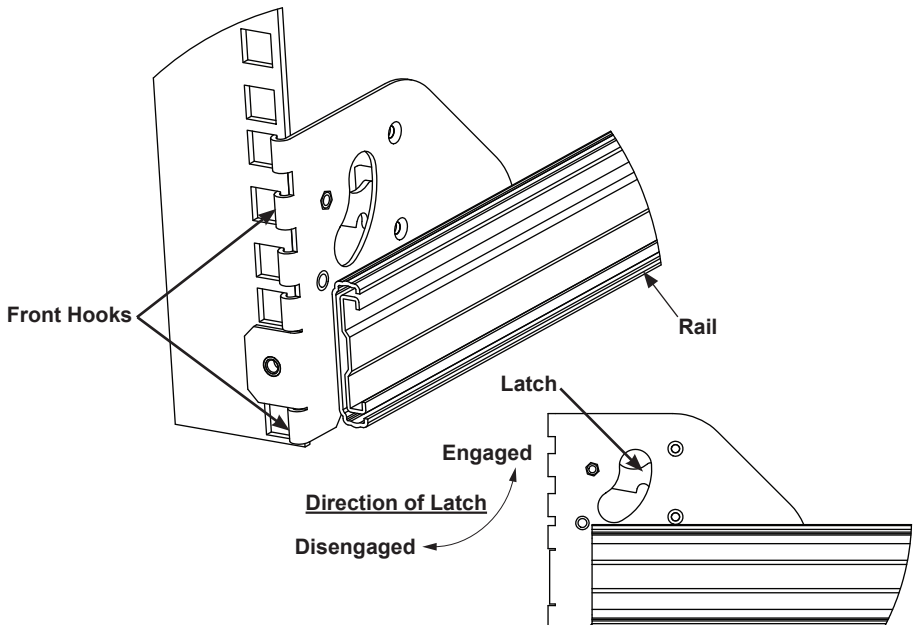
- (2) Retainer Brackets
- (2) 8-32 x $\frac{3}{8}$ Truss Head Screws
- (2) 8-32 Nuts

Installation Instructions

Step 1a. Rear Rack Attachment: Attach by hooking the Rear Bracket into the Square Holes of the Rack.

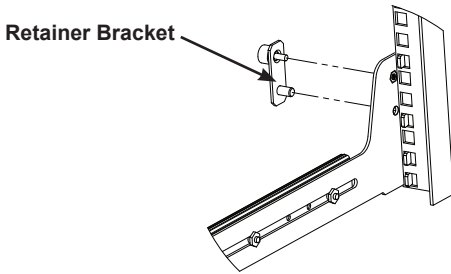


Step 1b. Front Rack Attachment: Disengage the Latch and insert the Front Hook into the Square Holes of the Rack. Release the Latch which will return to the engaged position securing the Front of Rail. See detail view for Latch operation.

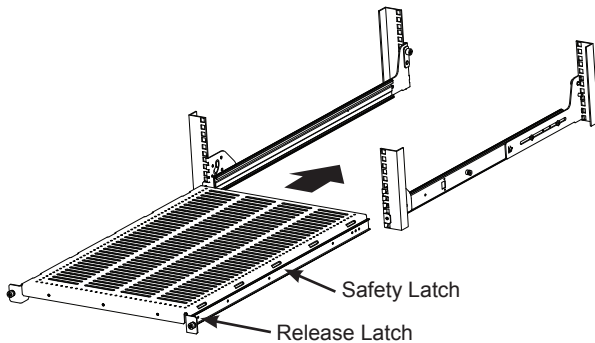


Installation Instructions

Step 2. Install Retainer Bracket: Align the Pin on the Retainer Bracket with the Hole in the Rear Bracket. Use the Thumbscrew to secure the assembly.

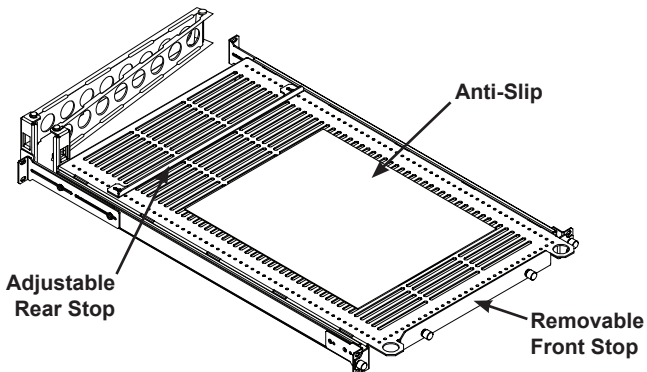


Step 3. Shelf Installation: Ensure the Rails are fully closed and the Retainer Brackets are properly installed on both sides. Ensure the Shelf is right side up. Align the Rail Tracks on the Shelf with the Rail Tracks on the Rack and insert the Shelf until the Safety Latch engages. Disengage the Release Latch on the front of the Rails and push the Shelf fully into the Rack. The Shelf can now be secured with the Thumbscrews.



Step 4a. Server Installation: Pull the shelf out of the rack until it stops. Attach the Removable Front Stop (shown below) to the front of the shelf. Place the Anti-Slip Mat on the shelf. Put the server or other equipment on the shelf and move forward against the Front Stop.

Step 4b. Rear Stop: Attach the Adjustable Rear Stop tight against the back of the equipment to keep the equipment from moving on the shelf. Attach the Adjustable Rear Stop to the shelf using (2) 8-32 x $\frac{3}{8}$ " Truss Head Screws and (2) 8-32 Nuts.





Boldly Creative



Expert Customer Service



Focus On Quality



Ships Same Day

Cable Management (CMA) Kit Contents

Cable Arm Hardware:

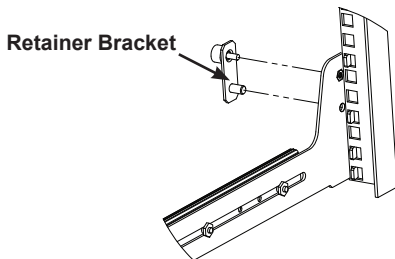
(1) Cable Arm Assembly

(1) Hook and Loop

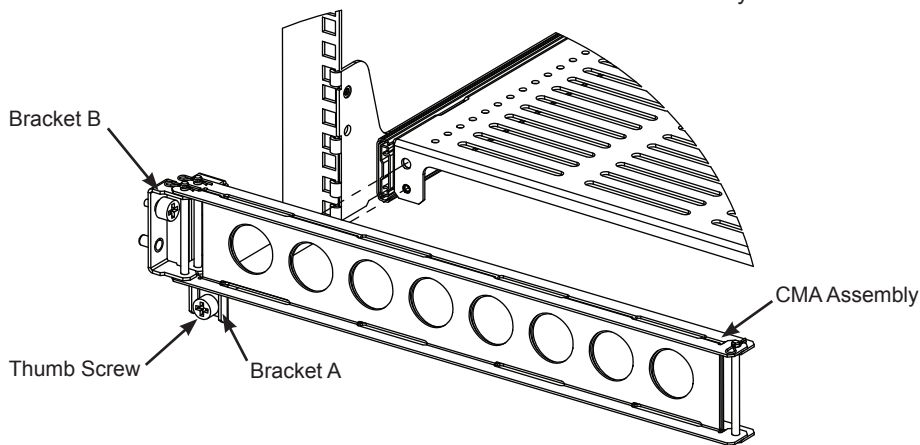
Cable Management (CMA) Installation Instructions

Step 1. Remove Retainer

Bracket: Determine which side the Cable Management Arm (CMA) is going to be attached too. Remove the Retainer Bracket from the Rail Bracket and discard.

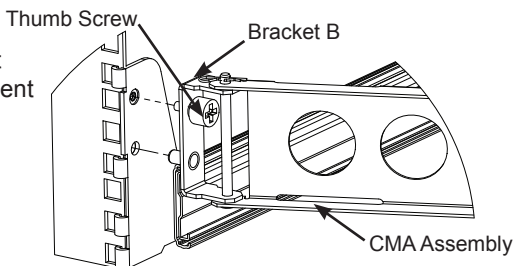


Step 2. CMA Shelf Attachment: Determine the Shelf attachment end of the CMA. This attachment uses Bracket "A". Align the pin on Bracket "A" with the hole in the back of the Shelf. Use the Thumbscrew to secure the assembly.



Step 3. CMA Rail Attachment:

Determine the Rail attachment end of the CMA. This attachment uses Bracket "B". Align the pin on Bracket "B" with the hole in the Rail Bracket. Use the Thumbscrew to secure the assembly.



Warranty Statement

Innovation First, Inc. warrants our products against defects in material and workmanship for a period of one (1) year from the date of purchase. Innovation First, Inc. liability shall be limited to repairing or replacing, at our option, any defective product.

1473 1516 1471 1515