



*Boldly Creative*



*Expert Customer Service*

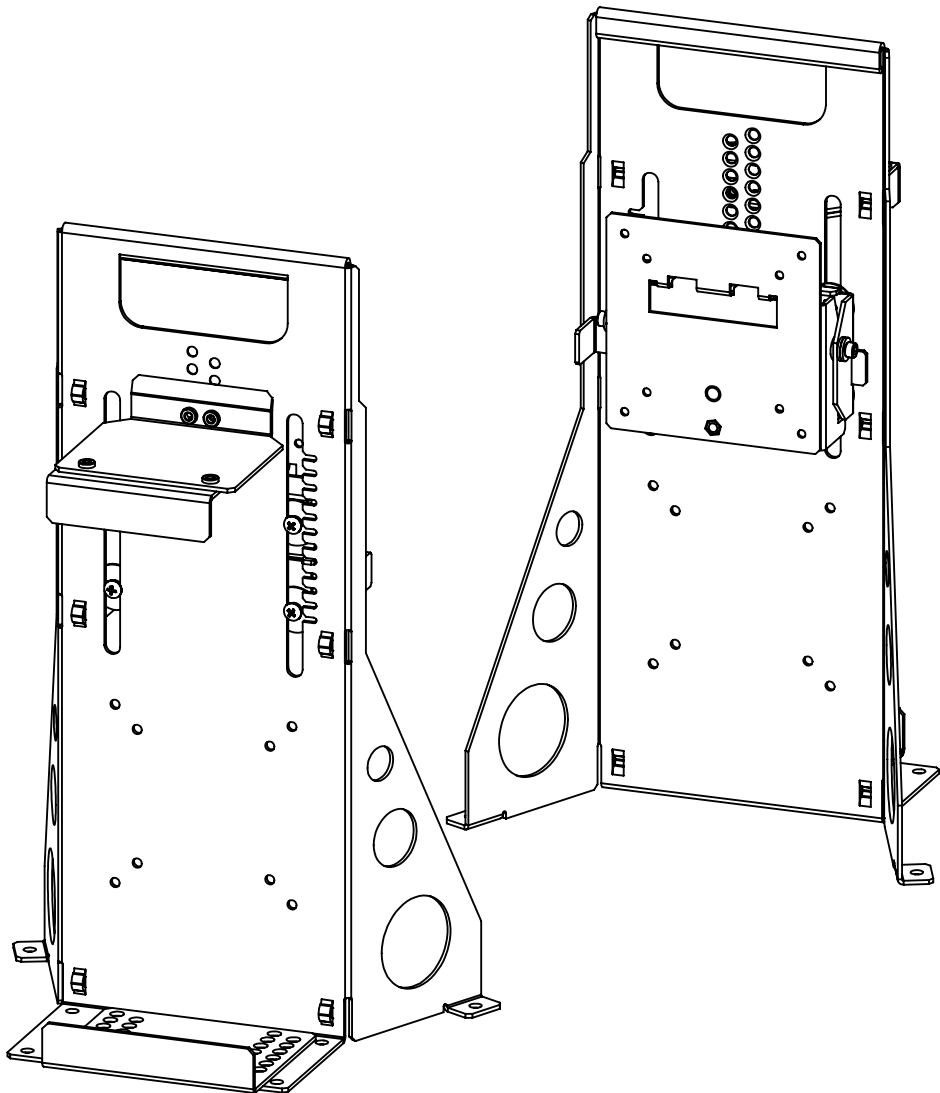


*Focus On Quality*



*Ships Same Day*

## Universal Desktop and Monitor Stand



Installation Instructions

Kit P/N: 114-6013

# Kit Contents

---

## Kit Contents:

- (1) Stand Assembly
- (1) VESA Monitor Bracket
- (1) Bottom Bracket
- (1) Top Bracket
- (1) Clamp Bracket

## Monitor Hardware Package:

- (8) Nylon Spacers
- (4) M4 x 10mm Pan Head Screws
- (4) M4 x 18mm Pan Head Screws
- (4) M4 x 25mm Pan Head Screws

## Assembly Hardware:

- (3) #8-32 x .312" Flat Head Screws

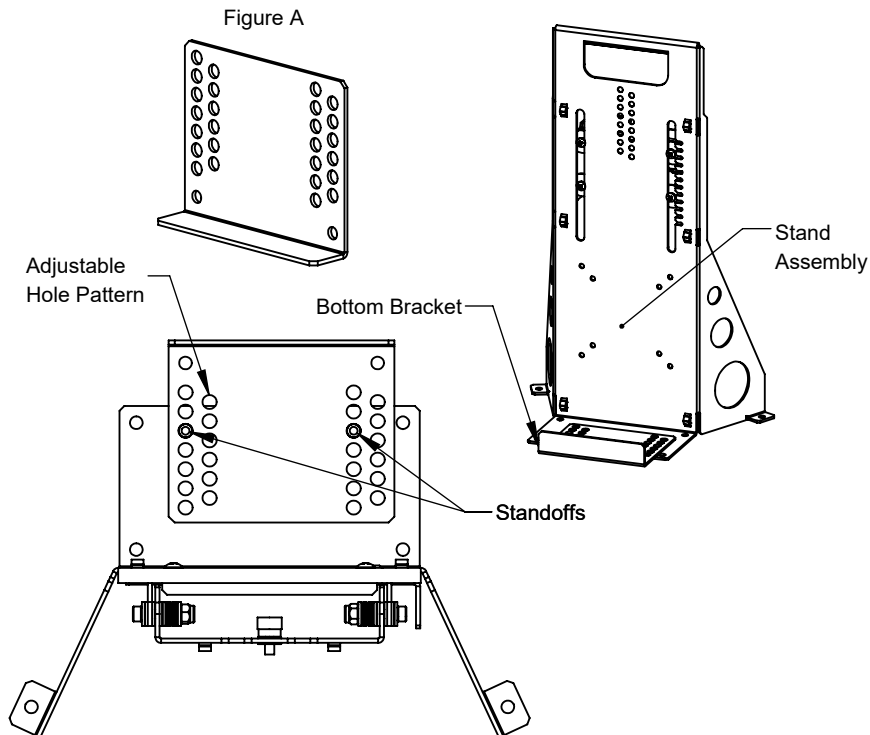
# PC Installation Instructions

---

**Step 1a** For Micro PC Instructions with VESA Mounting: Continue to Page 5  
For PC Instructions: Continue to Step 1b. Mount is compatible for PCs ranging 3.65" to 6.0" in width and 11.4" to 13.8" in height.

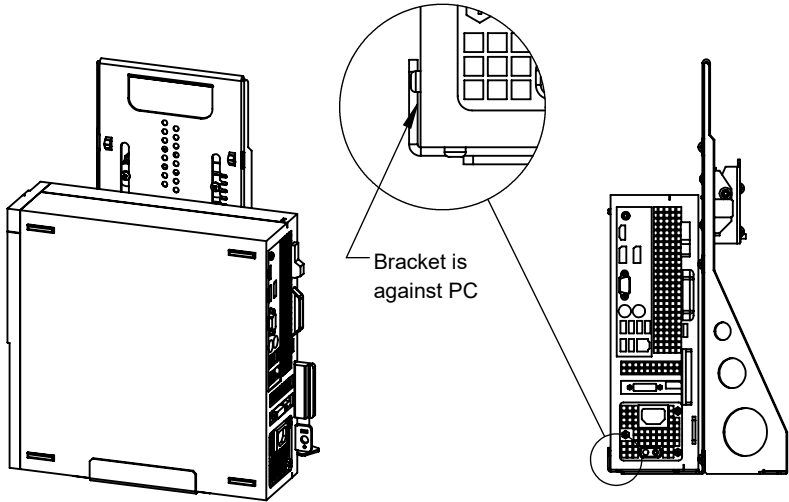
**Step 1b** Bottom Bracket Placement: Place the Bottom Bracket (Figure A) on the Stand Assembly. The Bottom Bracket has holes that line up with standoffs in the Stand Assembly. The hole pattern on the Bottom Bracket allows for depth adjustability to accommodate for different sized PCs.

**Note: Do not screw the Bottom Bracket to the Stand Assembly**

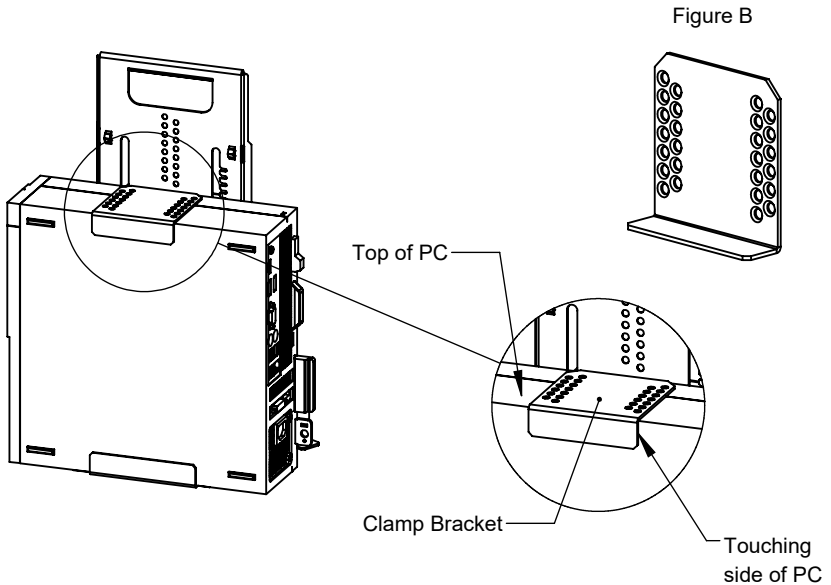


# PC Installation Instructions

**Step 2** Computer Installation: Place your PC on the Stand. Make sure the computer is resting level on the Bottom Bracket. If there is a gap between the Bottom Bracket and the PC remove the computer and move the bracket inwards one hole.

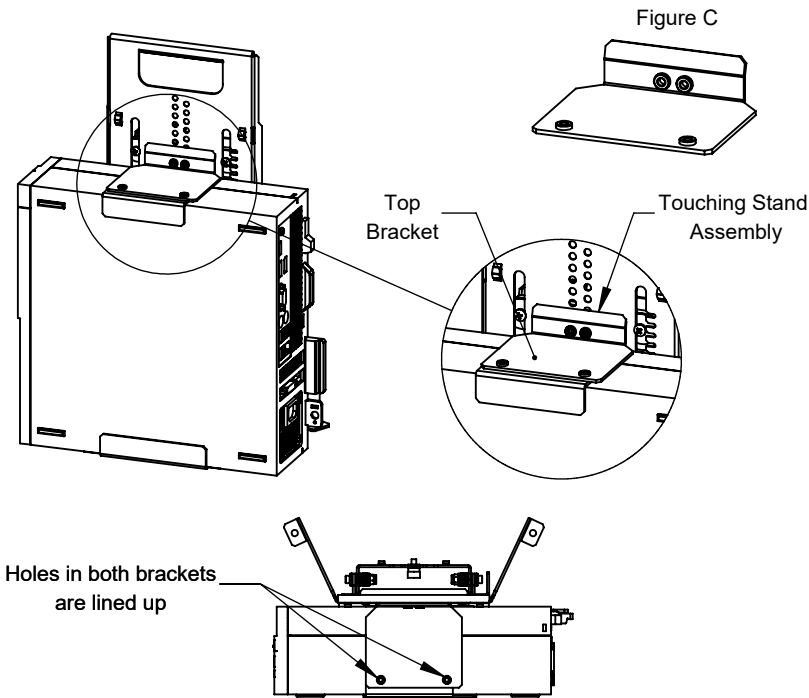


**Step 3a** Clamp Bracket Placement: Place the Clamp Bracket (Figure B) on the top on the PC. Make sure the bracket is resting on the top and side of the computer.

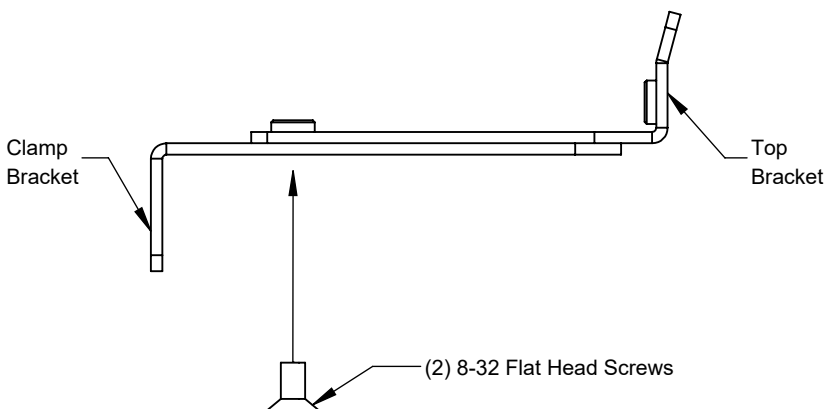


# PC Installation Instructions

**Step 3b** Top Bracket Placement: Place the Top Bracket (Figure C) on the Clamp Bracket. Make sure the Top Bracket is pushed back and touching the Stand Assembly. Line up holes on both brackets so you can easily see where screws should be inserted.

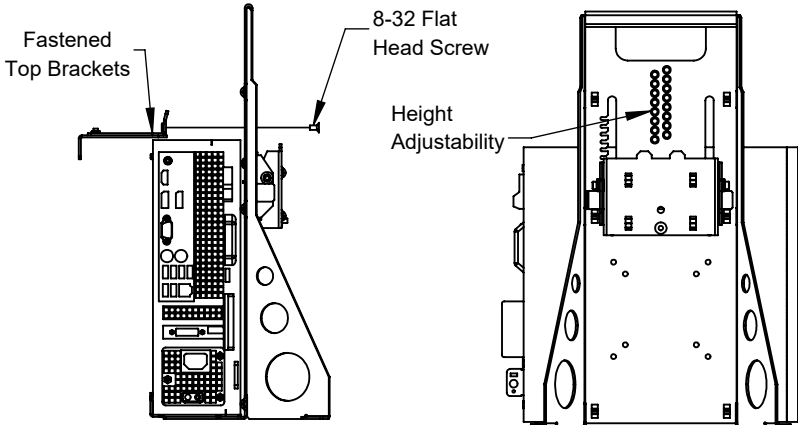


**Step 4** Bracket Attachments: Hold the Top and Clamp Brackets in place and slide them off of the PC. Make sure the brackets are in the same orientation as Step 3b. Screw the brackets together from the bottom using 2x #8-32 Flat Head Screws. These brackets can be adjusted to fit smaller or larger PCs by moving them inwards or outwards.



## PC Installation Instructions

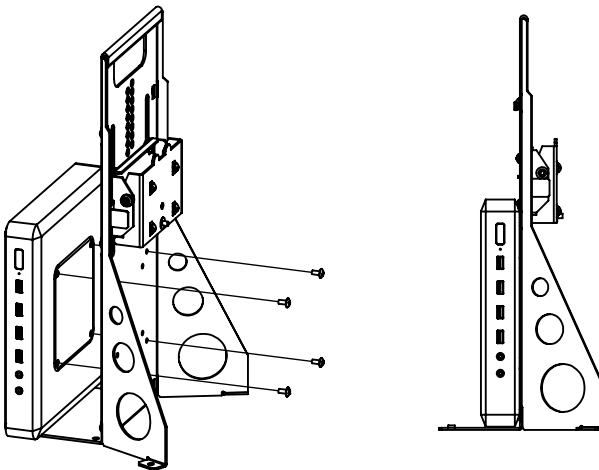
- Step 5** Top Brackets to Stand Assembly: Take the fastened brackets from Step 4 and place them on the PC (same orientation from Step 3b). Use 1x #8-32 Flat Head Screw to attach the brackets to the Stand Assembly. Make sure the brackets are tight around the PC. This can be done by adjusting the height of the brackets on the Stand Assembly hole pattern.



## Micro PC Installation Instructions

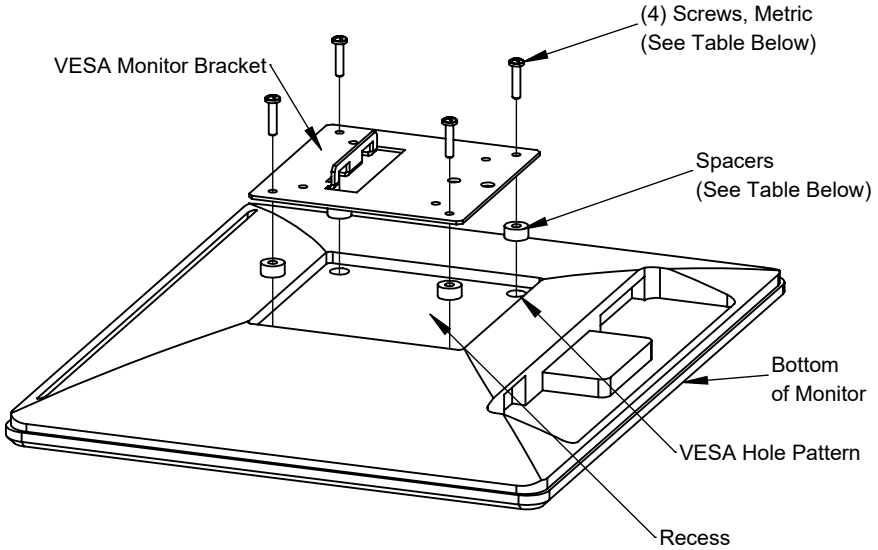
- Step 1** Micro PC Installation: Place your Micro PC on the Stand Assembly. Line up the VESA pattern on both the Micro PC and Stand. Screw the Micro PC to the Stand.

**Note: Hardware is not included.**




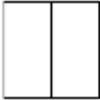



# Monitor Installation Instructions

- Step 1** VESA Monitor Bracket Attachment: Turn the monitor face down on a large flat surface. Locate the four VESA mounting holes on the rear of the monitor.
- a. Determine if spacers are required: Some monitors have a "recess" on the rear of the monitor. Spacers are provided to fill this gap. See Table A for spacer length options.
  - b. Determine Screw Length: Only use the metric M4 screws provided. The screw length is determined by the spacers used (see Table A).



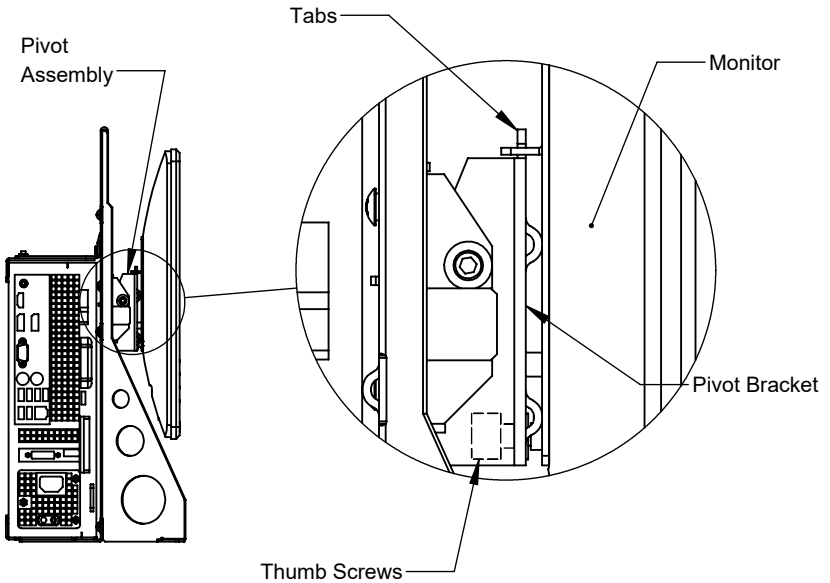
**Table A**

Recess Depth	Spacer	Screw
0	No Spacer Needed	 10mm
.250 (1/4)		 18mm
.500 (1/2)		 25mm

**Screws and Spacers are Shown to Scale**

# Monitor Installation Instructions

**Step 2** Monitor to Pivot/Stand Assembly: Slide the monitor with the VESA Monitor Plate (from Step 6) down over the top two Tabs on the Stand. Tighten the Thumb Screw.





*Boldly Creative*



*Expert Customer Service*



*Focus On Quality*



*Ships Same Day*

**Warranty Statement**

Innovation First, Inc. warrants our products against defects in material and workmanship for a period of one (1) year from the date of purchase. Innovation First, Inc. liability shall be limited to repairing or replacing, at our option, any defective product.

**6013**