



Boldly Creative



Expert Customer Service



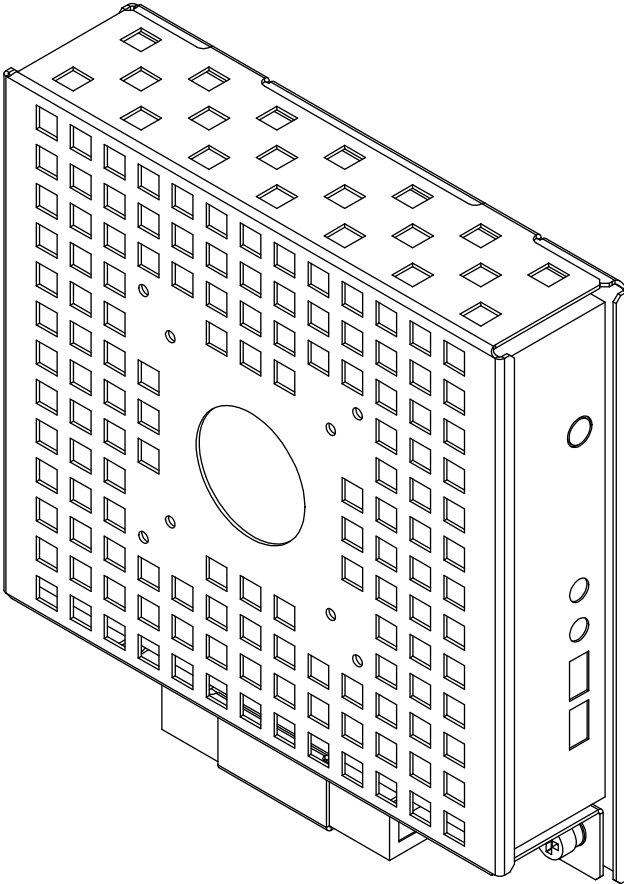
Focus On Quality



Ships Same Day

Patent(s) Pending

Wall/VESA Mount for Dell Wyse Z90



Installation Instructions

Kit P/N: 114-4658

Kit Contents

Assembly Components:

- (1) Mounting Bracket
- (1) Chassis Bracket

Wall Mount Hardware Package:

- (4) Pan Head Screw
- (4) Anchors

Monitor Hardware Package:

- (8) Nylon Spacers
- (5) M4 x 10mm Pan Head Screws
- (5) M4 x 18mm Pan Head Screws
- (5) M4 x 25mm Pan Head Screws

Attachment Hardware Package:

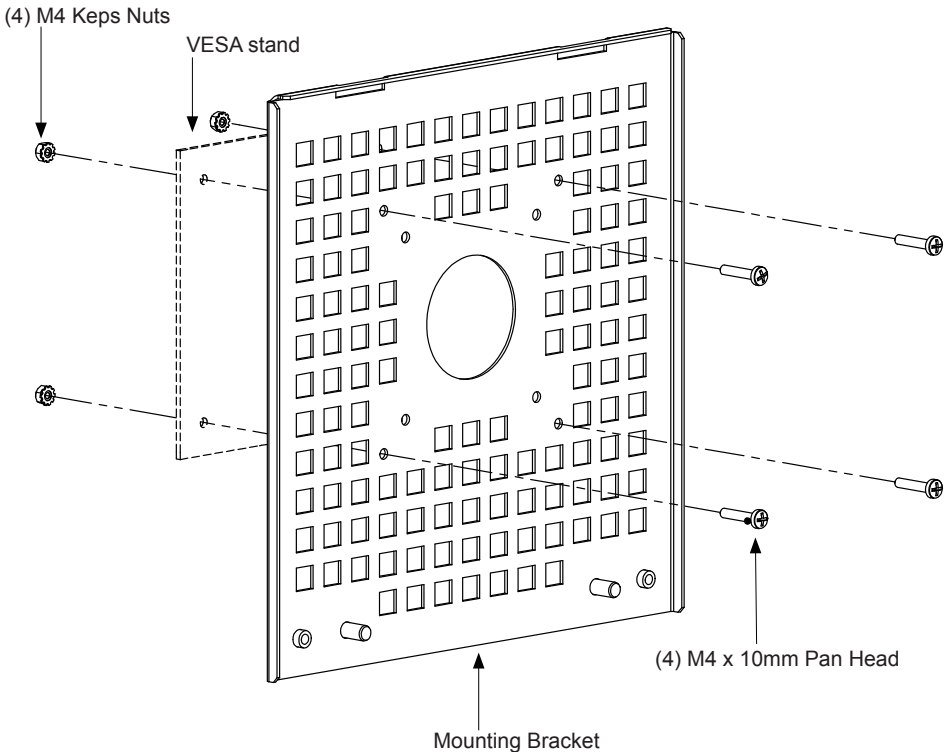
- (4) M4 Keps Nuts
- (2) M4 x 12mm Pan Head Screws
- (4) M4 x 10mm Pan Head Screws

PC Wall Mount Installation Instructions

Step 1. Determine Location: Select an appropriate installation method

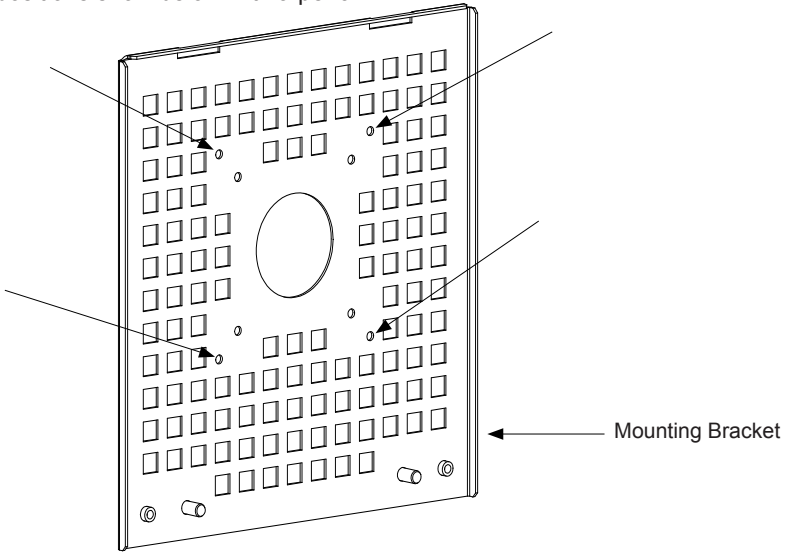
- A. Wall Mount: Steps 3-11
- B. VESA Stand: Step 2 & 6-11

Step 2. VESA stand: Install mounting Bracket to VESA stand as shown.

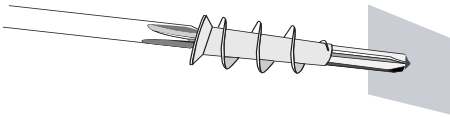


Installation Instructions

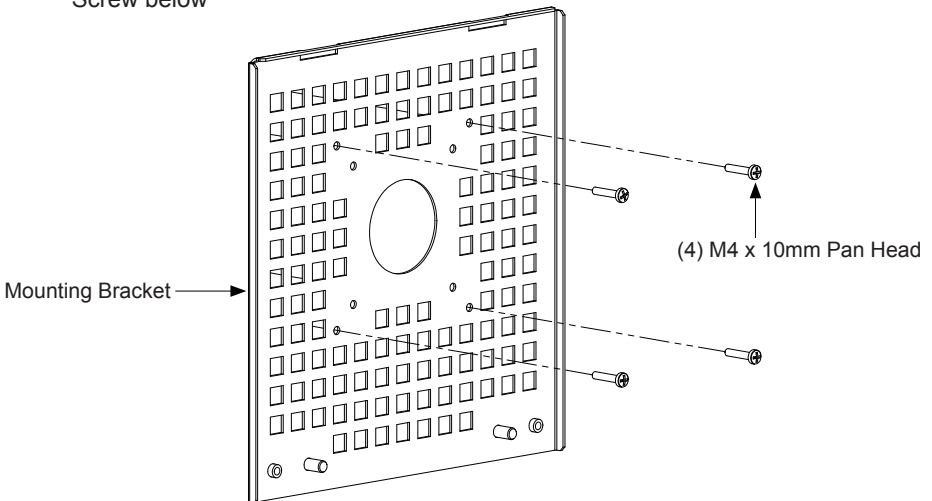
Step 3. Wall mounting: Hold the base in position on the wall and mark the 4 holes positions show below with a pencil.



Step 4. Install Drywall Anchor: Install one drywall anchor at each hole mark. Using a #2 Phillips head screwdriver press the anchor into the drywall while turning clockwise until it is seated flush with the wall.



Step 5. Attach to Wall: Install the Mounting Bracket to the wall using the 4 Pan Head Screw below



Installation Instructions

- Step 6. Monitor Attachment:** Turn the monitor face down on a large flat surface. Locate the four VESA mounting holes on the rear of the monitor.
- Determine if spacers are required:** Some monitors have a "recess" on the rear surface. Spacers are provided to fill this gap. See Table A for spacer length options.
 - Determine Screw Length:** Only use the metric M4 screws provided. Screw length is determined by the spacers used (see Table A).

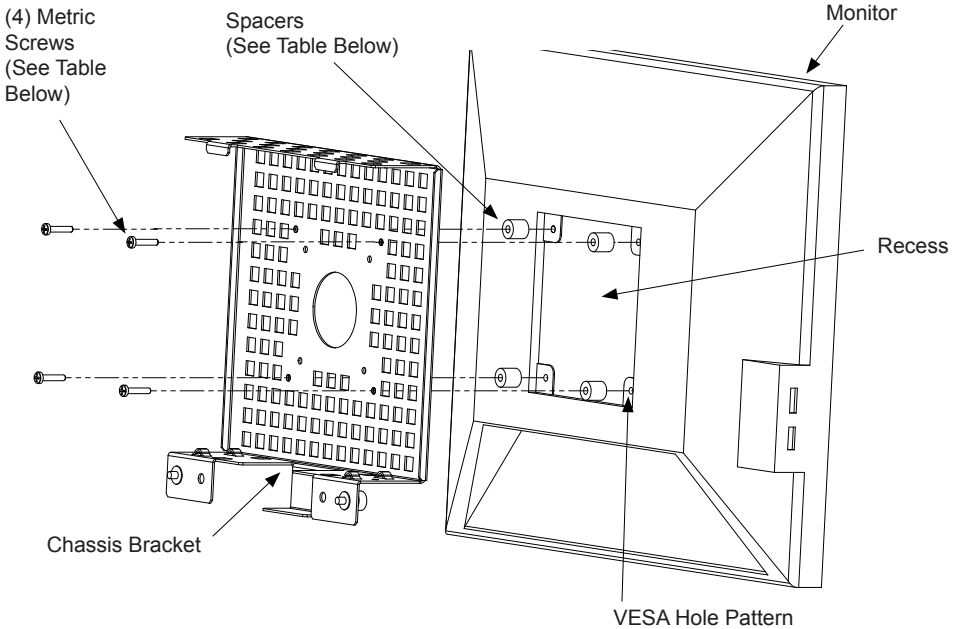

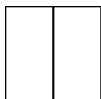


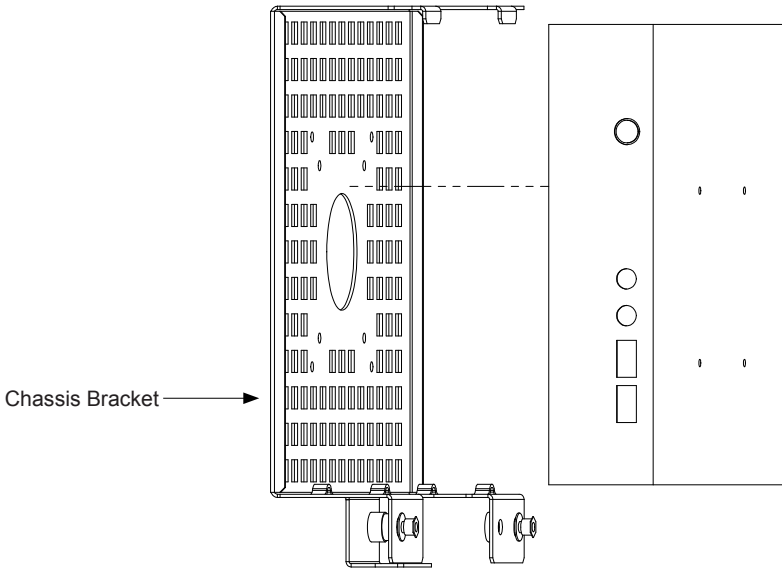
Table A

Recess Depth	Spacer	Screw
0	No Spacer Needed	M4-10MM
.250 (1/4)		M4-18MM
.500 (1/2)		M4-25MM

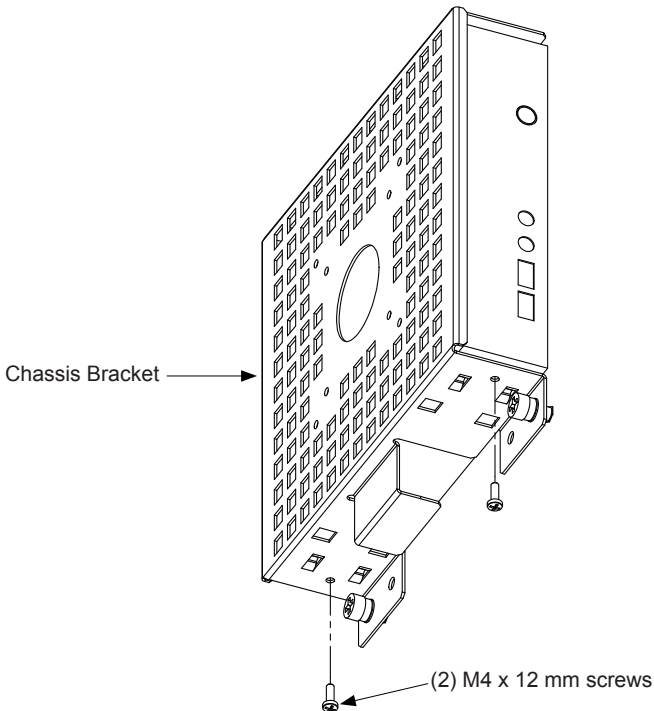
Screws and Spacers are Shown to Scale

Installation Instructions

Step 7. Insert Dell Wyse chassis into the Chassis Bracket.

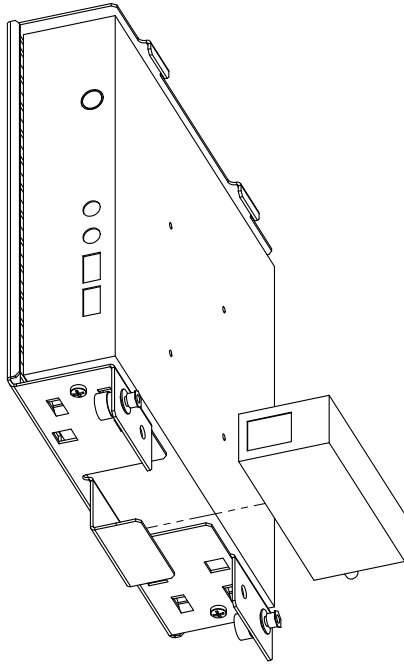


Step 8. Install 2 screws into the Chassis Bracket to secure the Dell Wyse chassis.

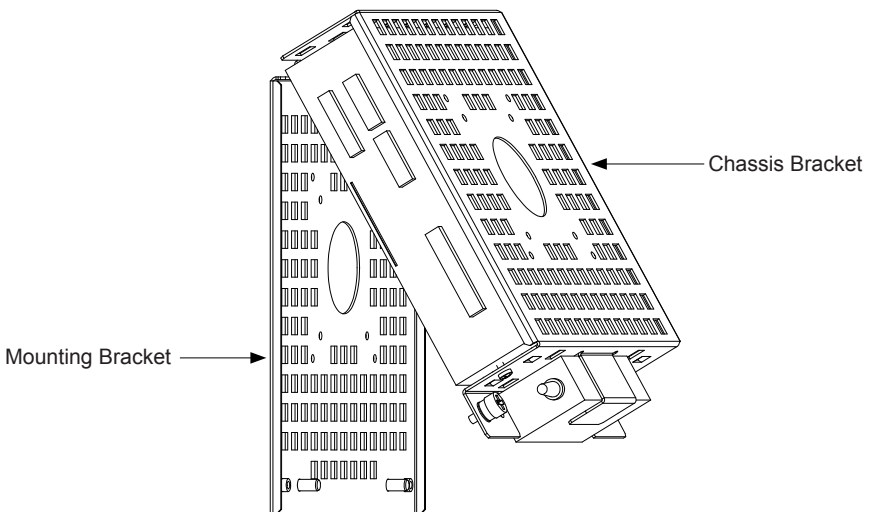


Installation Instructions

Step 9. Intall the power supply into the base assembly.

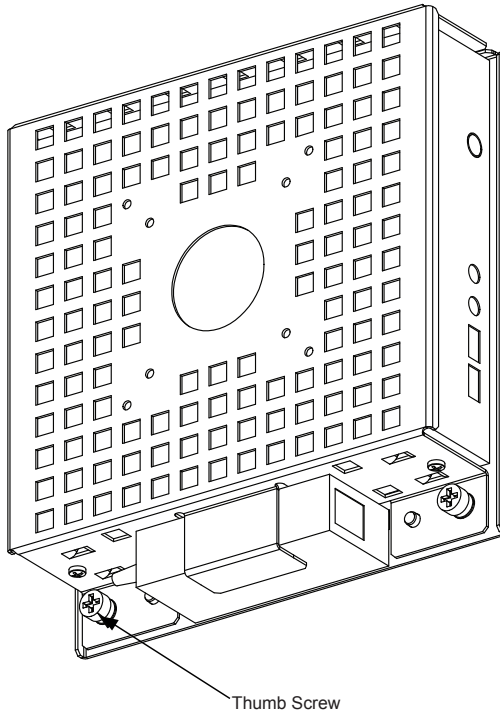


Step 10. Insert the hooks from the Chassis Bracket into the slots on the Mounting Bracket.



Installation Instructions

Step 11. Secure the Chassis Bracket with the thumb screws.





Boldly Creative



Expert Customer Service



Focus On Quality



Ships Same Day

Warranty Statement

Innovation First, Inc. warrants our products against defects in material and workmanship for a period of one (1) year from the date of purchase. Innovation First, Inc. liability shall be limited to repairing or replacing, at our option, any defective product.

4658