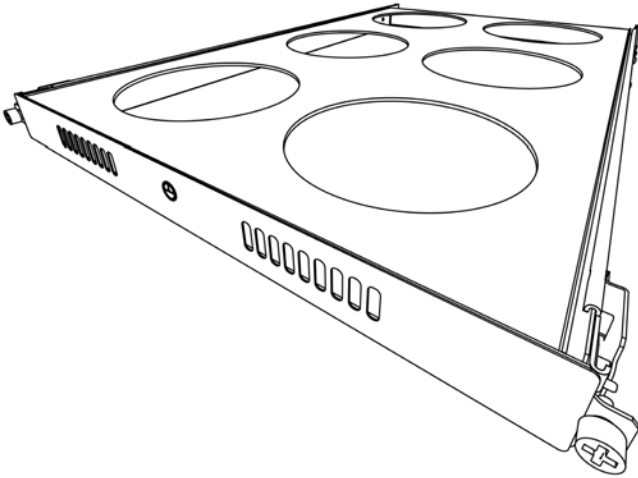
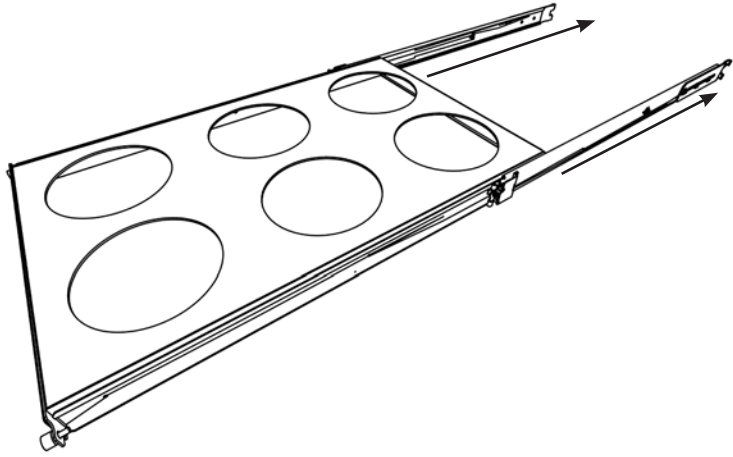


# Mac Pro Rack

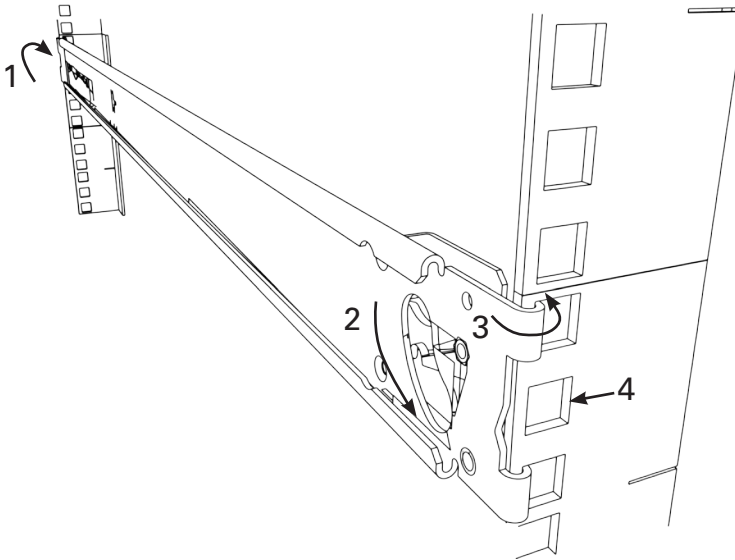


Installation Instructions

Kit P/N: 112-5355

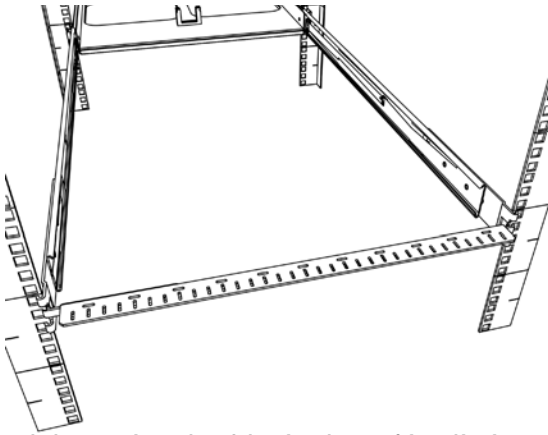


1. Remove side rails by sliding them to the rear of the shelf.

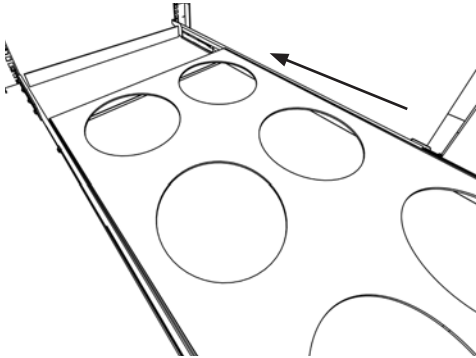


2. To attach rail to rack, clip the rear of the rail to the rack first at the position you desire(1). Then, pull forward and attach to the front of the rack while holding down the spring lock mechanism(2), firmly push the rail in place, and then release the lock(3).

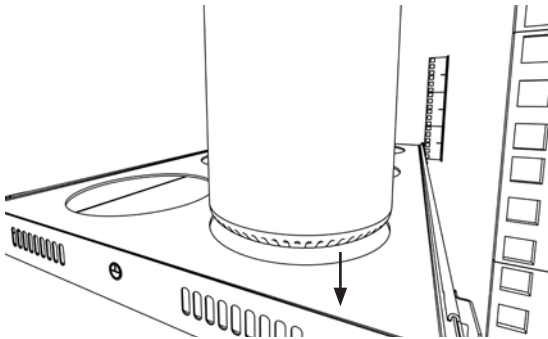
If desired, also insert two cage nuts on the front side of the rack in between the rail clips(4). This will allow you to screw the MP rack down once installed.



3. If you purchased the optional cable tie-down kit, clip it to the rear of the rack at your desired location. Once the MP rack is installed and your cables need to be secured, use zip-ties or similar device to secure cables to the tie-down.



4. Slide the shelf completely onto the rails of the MP rack. Ensure there is smooth travel of the shelf on the rails. If not, check that all rails are level and installed at the same height in your rack.



5. Place up to six Mac Pros into its own home in the MP rack and connect your cabling. Place the supplied adhesive-backed cable tie-down clips where you desire to have your cables secured. Use zip ties (not supplied) to keep the cables in place.

Warranty Statement

Innovation First, Inc. warrants our products against defects in material and workmanship for a period of one (1) year from the date of purchase. Innovation First, Inc. liability shall be limited to repairing or replacing, at our option, any defective product.