



Boldly Creative



Expert Customer Service

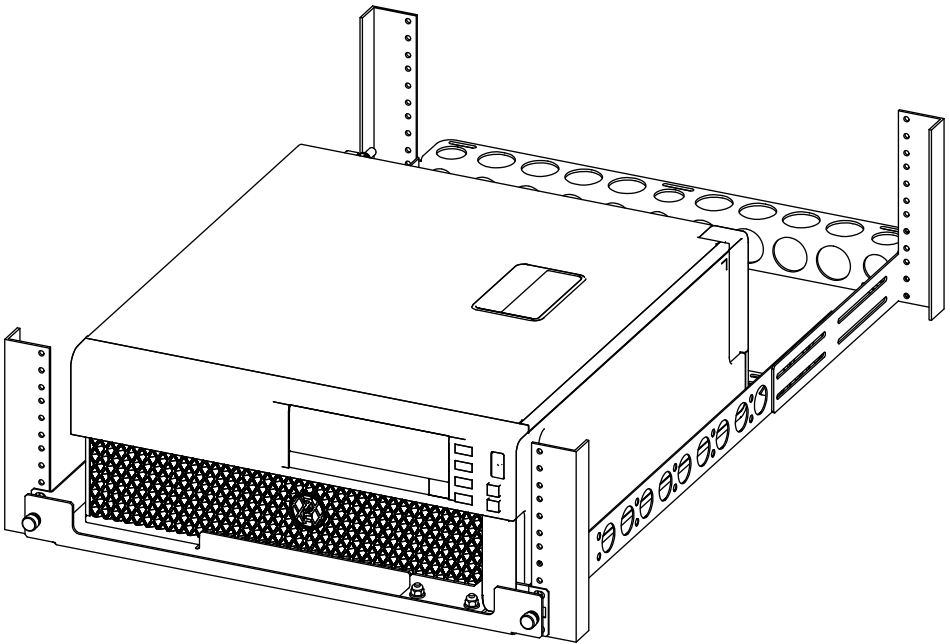


Focus On Quality



Ships Same Day

Tower To Rack Mount Kit



Installation Instructions

Kit P/N: 112-2147

Kit Contents

Components:

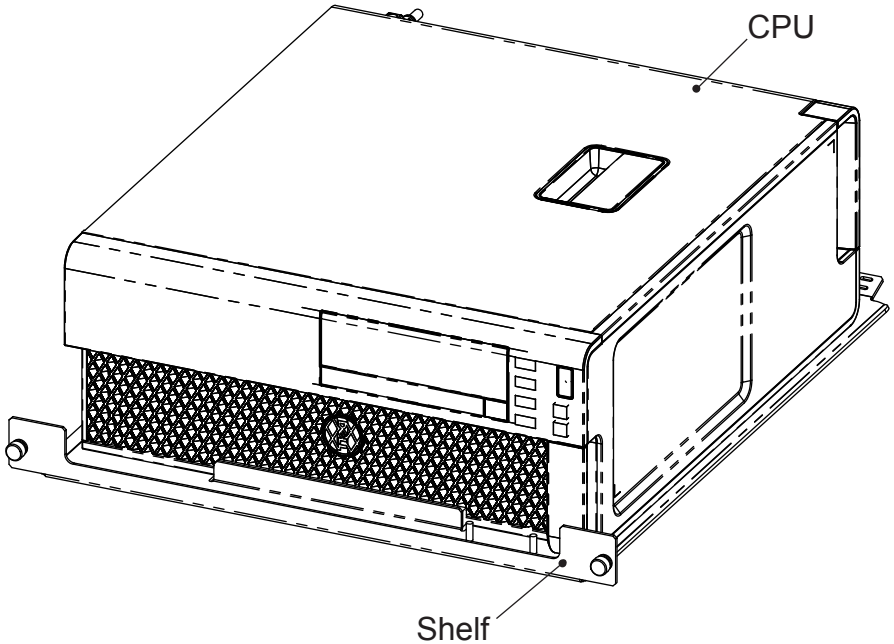
- (1) Shelf
- (1) Rear Bracket
- (1) Front Bracket

Assembly Hardware Kit:

- (5) 10-32 Nuts
- (5) #10 Flat Washer

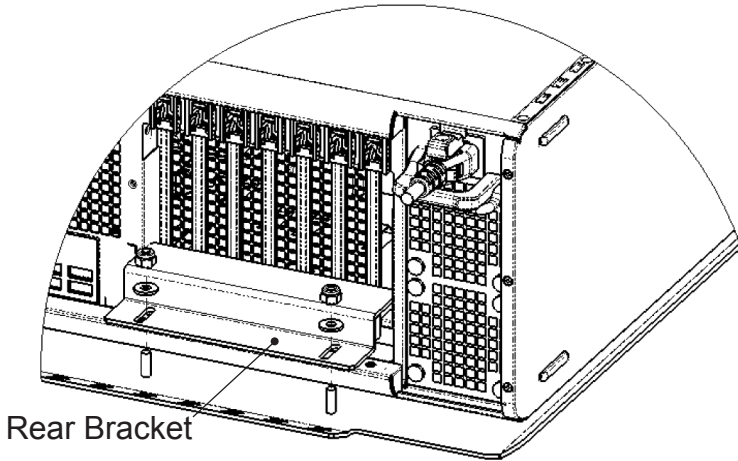
Installation Instructions

Step 1. CPU to Shelf Assembly: Place the CPU on to the shelf engaging the rubber feet of the CPU into slots on shelf.



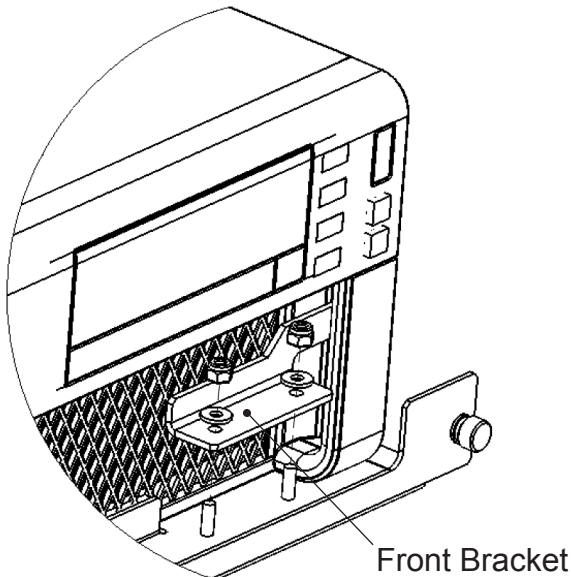
- Step 2. Rear Bracket Shelf Attachment:** Attach the Rear Bracket to the Shelf using (2) #10 Flat Washers and (2) 10-32 Nuts supplied in the Assembly Hardware Kit. Push CPU Rear Bracket firmly forward against front tab and secure hardware.

Note: This will require a 3/8" wrench or ratchet.



- Step 3. Front Bracket Shelf Attachment:** Attach the Front Bracket to the Shelf using (2) #10 Flat Washers and (2) 10-32 Nuts supplied in the Assembly Hardware Kit.

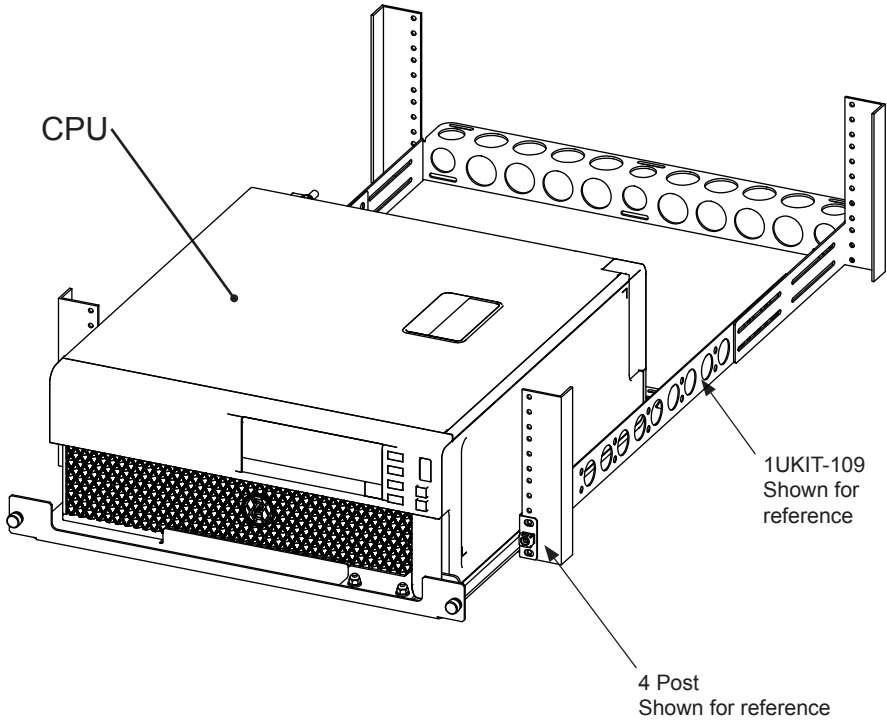
Note: This will require a 3/8" wrench or ratchet.





Installation Instructions

Step 4. Shelf/CPU Assembly Attachment: Install the 1UKIT-109 per the instructions supplied in the 109 Kit. Slide shelf into Kit 1UKIT-109 as shown and fasten the (2) captive hardware to secure shelf in place.



Warranty Statement

Innovation First, Inc. warrants our products against defects in material and workmanship for a period of one (1) year from the date of purchase. Innovation First, Inc. liability shall be limited to repairing or replacing, at our option, any defective product.

2147