



*Boldly Creative*



*Expert Customer Service*

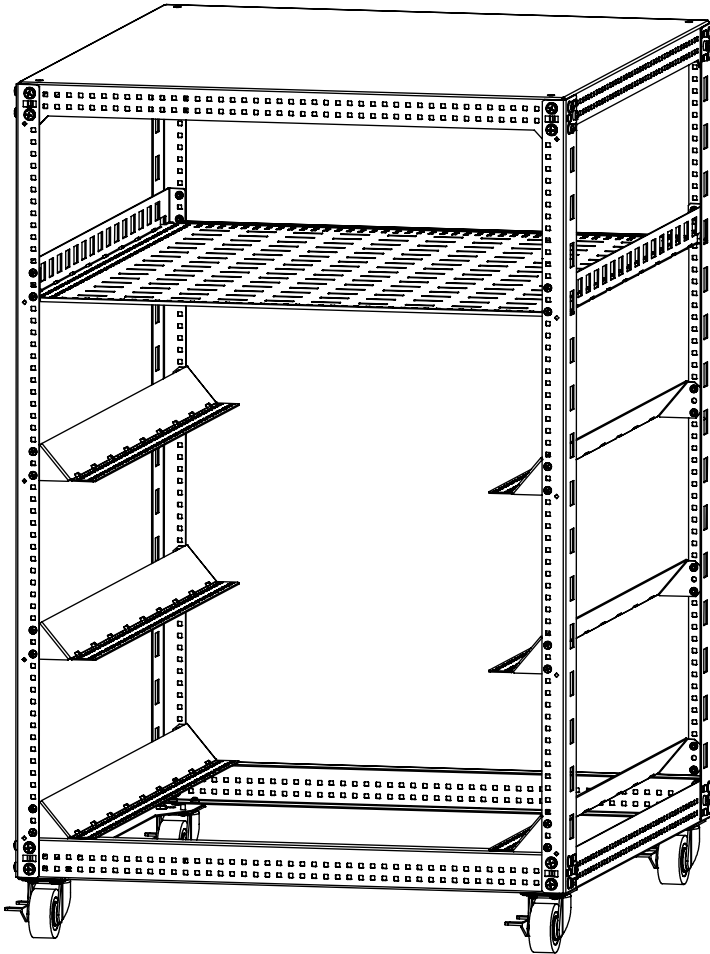


*Focus On Quality*



*Ships Same Day*

## VEX Utility Rack by RackSolutions



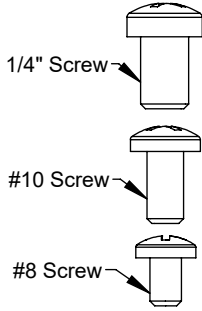
Installation Instructions

Kit P/N: 111-6330

# Kit Contents

**Kit Contents:**

- (1) Top Panel
- (4) Vertical Post
- (2) Depth Bracket
- (2) Width Bracket
- (6) Rail
- (1) Shelf
- (4) Caster



**Assembly Hardware:**

- (40) 1/4" Screw
- (32) Locking Washer
- (8) 1/4" Nut

Used in Steps 1-3

**Caster Hardware:**

- (16) #10 Screw
- (8) #10 Nut

Used in Step 4

**Rail/ Shelf Hardware:**

- (32) #8 Screw

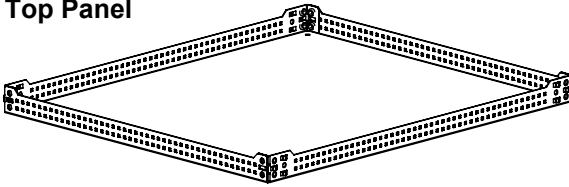
Used in Steps 6-7

# Tools Needed

- (1) #2 Phillips Head Screwdriver

# Utility Rack Assembly Instructions

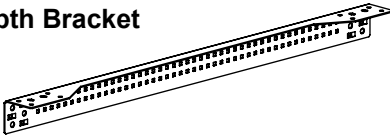
## Top Panel



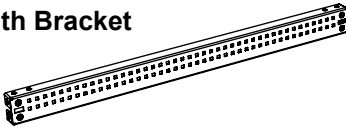
## Vertical Post



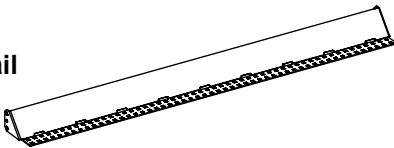
## Depth Bracket



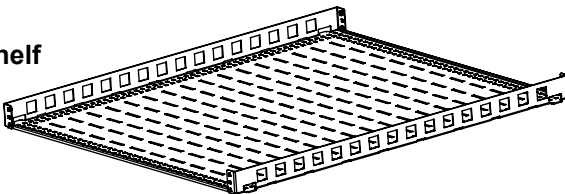
## Width Bracket



## Rail



## Shelf



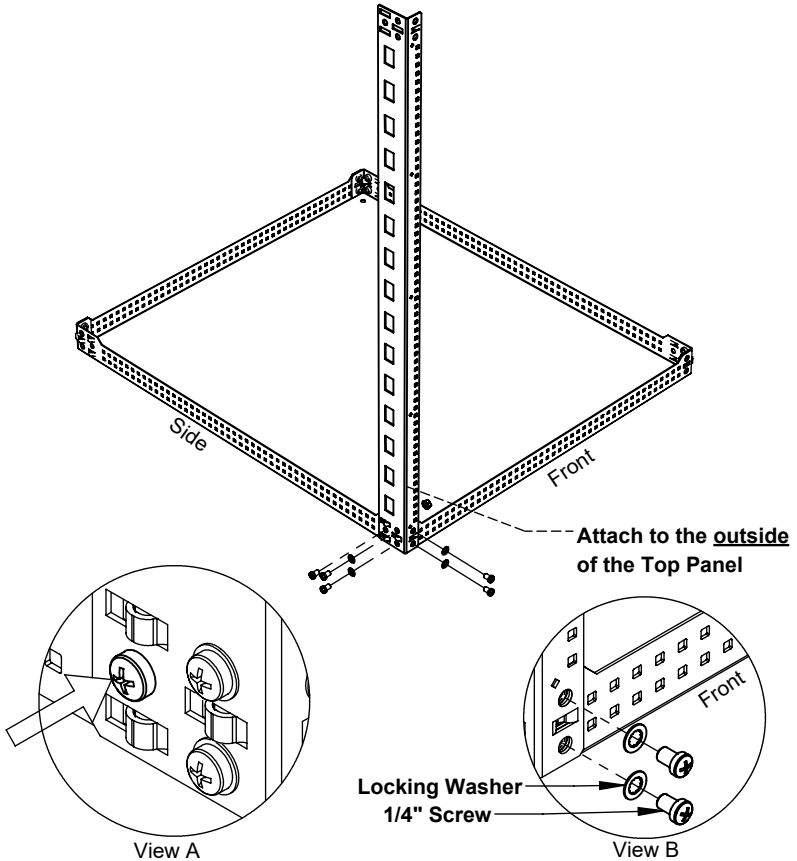
## Caster



# Utility Rack Assembly Instructions

**Step 1** Attach Vertical Post: Attach Vertical Post to outside of Top Panel using (5) 1/4" Screws, (4) Locking Washers, and (1) 1/4" Nut. Install the front (2) 1/4" Screws first, tighten each screw with Screwdriver, then install side (3) 1/4" Screws and tighten each with Screwdriver.

**Note:** Locking Washers should be installed between screw head, and Vertical Posts.



**Note:** To secure 1/4" Screw shown in View A above, place 1/4" Screw through hole in Vertical Post and Top Panel, and hand tighten 1/4" Nut onto Screw before using Screwdriver.

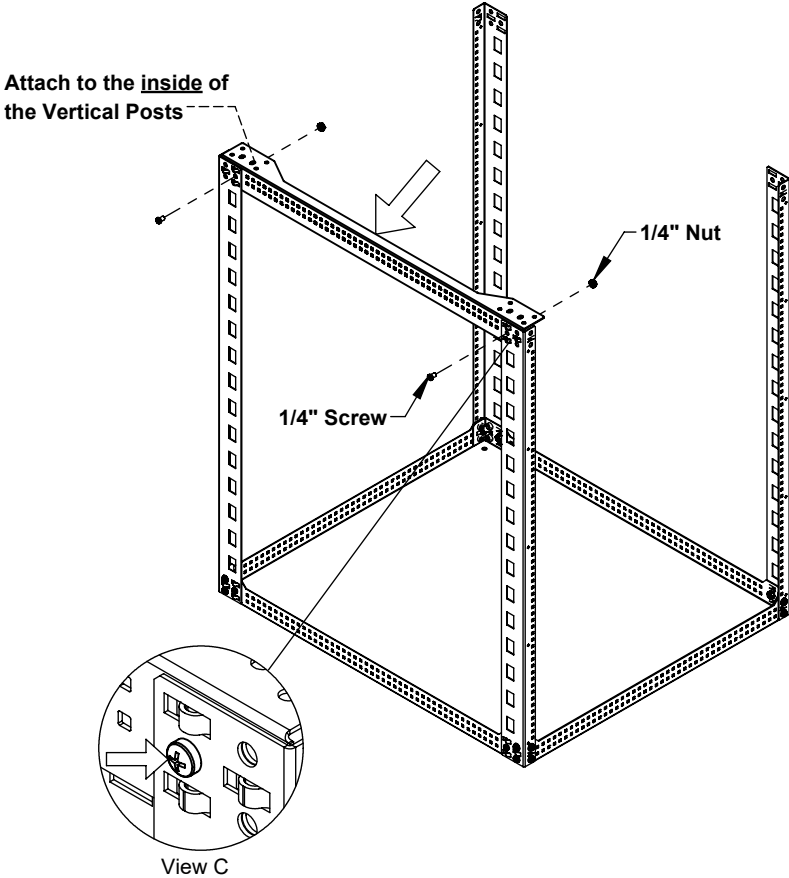
**Note:** Do NOT use the Locking Washer where the 1/4" Nut is used

## Repeat (x3)

Repeat Step 1 to attach other (3) Vertical Posts before moving onto Step 2.

# Utility Rack Assembly Instructions

**Step 2** Attach the Depth Brackets : Attach the Depth Bracket to the inside of the Vertical Posts using (2) 1/4" Screws, and (2) 1/4" Nuts. Tighten each 1/4" Screw with a Screwdriver.



**Note:** During this step, attach Depth Bracket to each Vertical Post using only the 1/4" Screw shown in View C above.

**Note:** When securing 1/4" Screw shown in View C above, Place 1/4" Screw through hole in Vertical Post and Depth Bracket, and hand tighten 1/4" Nut onto Screw before using Screwdriver.

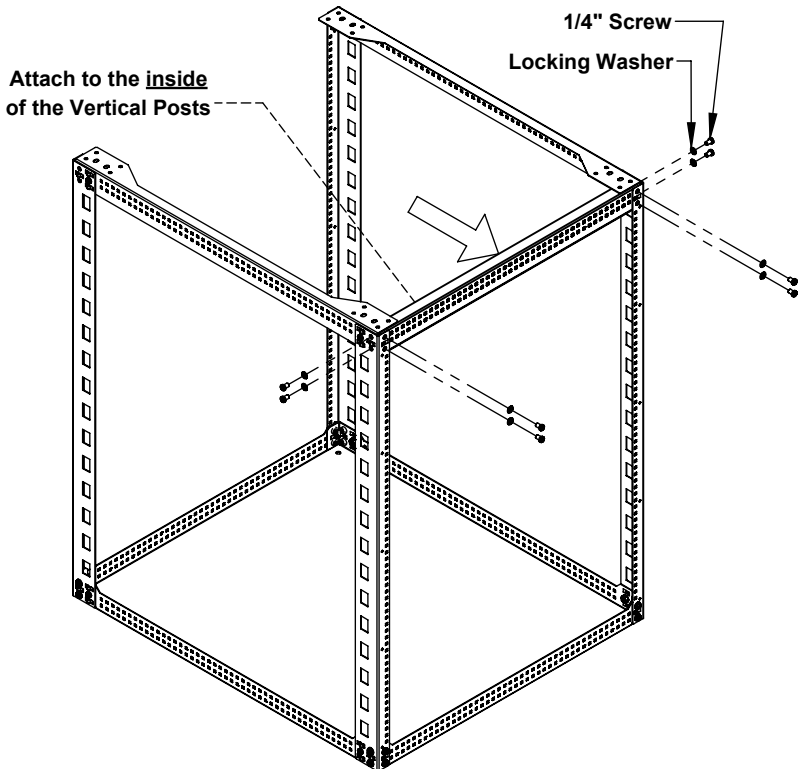
**Note:** Do NOT use the Locking Washer where the 1/4" Nut is used

## Repeat (x1)

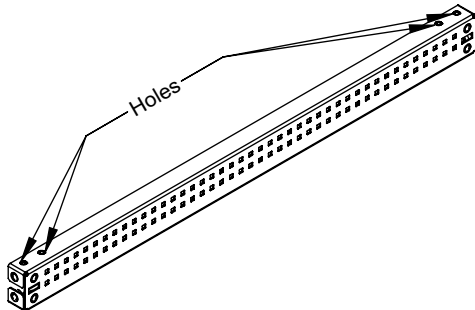
Repeat Step 2 to attach other Depth Bracket before moving onto Step 3.

# Utility Rack Assembly Instructions

- Step 3** **Attach Width Brackets:** Attach Width Bracket to inside of Vertical Posts using (8) 1/4" Screws, and (8) Locking Washers. Tighten each 1/4" Screw with Screwdriver.  
**Note:** Locking Washers should be installed between 1/4" Screw Head and Vertical Posts.



- Note:** When attaching Width Bracket, the (4) holes should be facing up, as shown in the picture below.

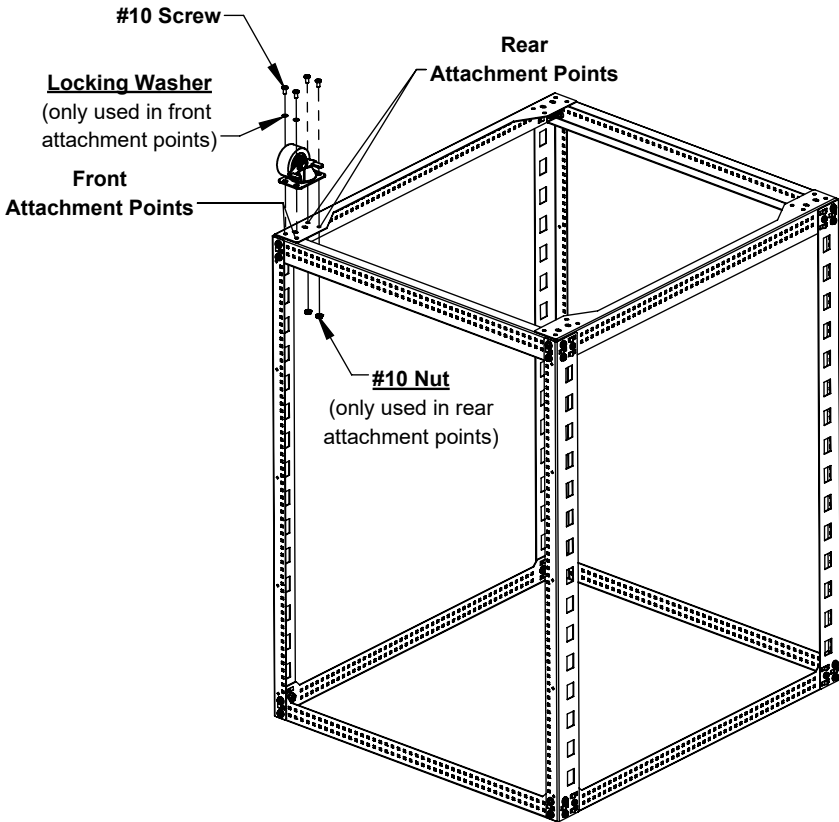


## Repeat (x1)

Repeat Step 3 to attach other Width Bracket before moving onto Step 4.

# Utility Rack Assembly Instructions

- Step 4** Attach Casters: Attach Caster to Depth Bracket using (4) #10 Screws, (2) Locking Washers, and (2) #10 Nuts. Tighten each #10 Screw with Screwdriver.
- Note:** Locking Washers should be installed between the #10 Screw head and the Caster.



- Note:** When securing the (2) #10 Screws located in the Rear Attachment location, Place #10 Screw through hole in Caster and Depth Bracket, and hand tighten #10 Nut onto Screw before tightening with Screwdriver.

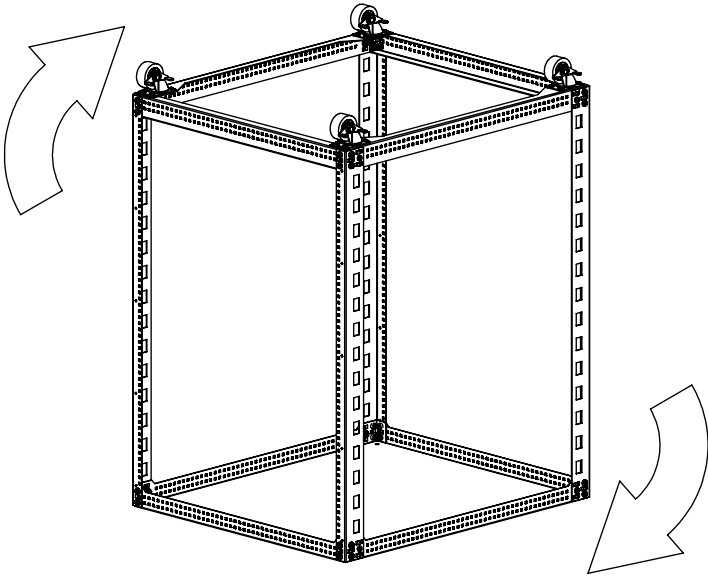
- Note:** Do NOT use the Locking Washer in the (2) locations where the #10 Nut is used

## Repeat (x3)

Repeat Step 4 to attach the other (3) Casters before moving onto Step 5

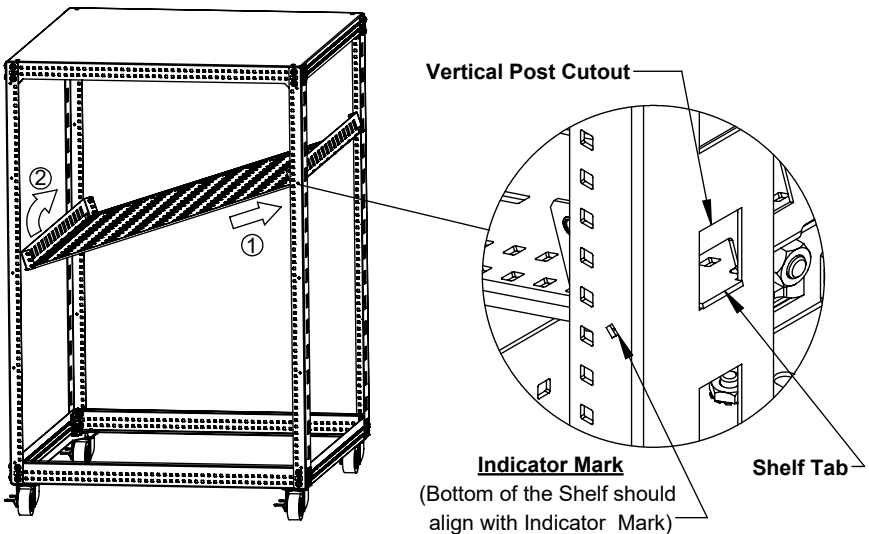
# Utility Rack Assembly Instructions

**Step 5** Rotate Cart: Rotate cart 180 degrees, so the Casters rest on the ground.



**Step 6** Install Shelf: Install Shelf by rotating shelf into position. Insert Shelf Tabs into Vertical Post Cutout, and rotate the opposite side of the shelf, until Shelf is level. The opposite side Shelf Tabs should fit into opposite side Vertical Post Cutout.

**Note:** For optimal configuration, align bottom of the Shelf with Indicator Mark.





*Boldly Creative*



*Expert Customer Service*



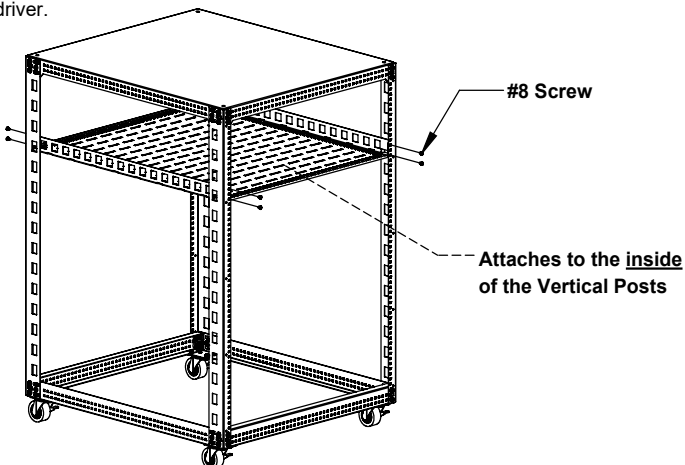
*Focus On Quality*



*Ships Same Day*

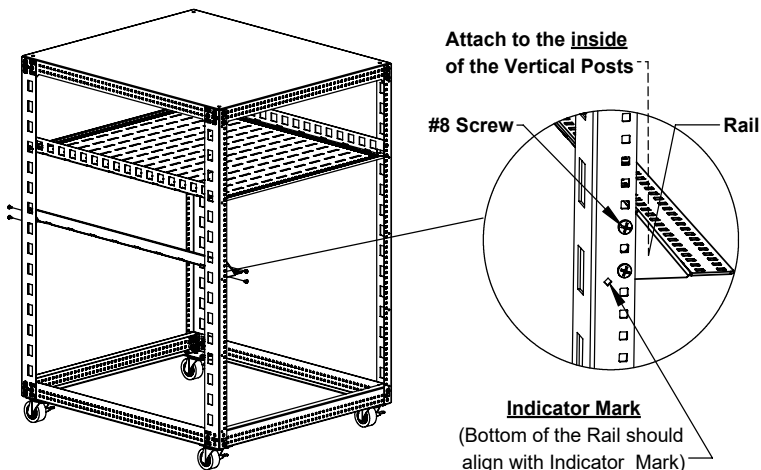
## Utility Rack Assembly Instructions

**Step 6a** Secure Shelf: Secure Shelf in place using (8) #8 Screws, and tighten each using Screwdriver.



**Step 7** Attach Rails: Attach Rails to the inside of the Vertical Posts using (4) #8 Screws per rail. Tighten each using Screwdriver.

**Note:** For optimal configuration, align bottom of Rail with Indicator Marks.



**Repeat (x5)**

Repeat Step 7 to attach other (5) Rails.

### Warranty Statement

Innovation First, Inc. warrants our products against defects in material and workmanship for a period of one (1) year from the date of purchase. Innovation First, Inc. liability shall be limited to repairing or replacing, at our option, any defective product.