



Boldly Creative



Expert Customer Service



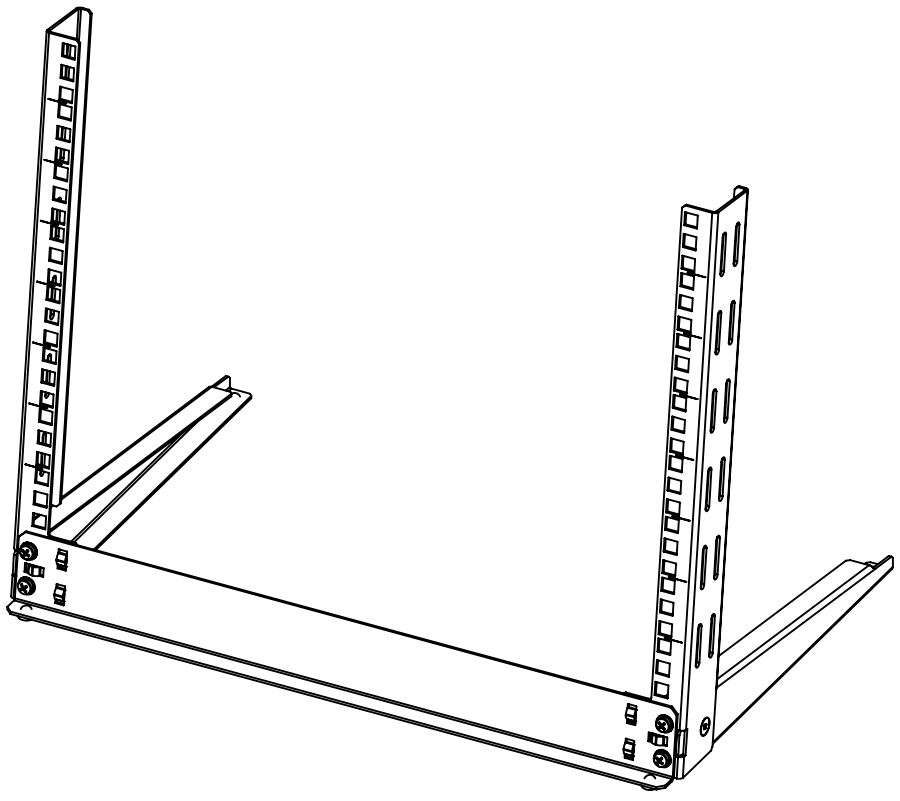
Focus On Quality



Ships Same Day

Patent(s) Pending

2 Post Desktop Rack



Installation Instructions

Kit P/N: 111-5383

Kit Contents

Kit Contents:

- (2) Vertical Posts (Left & Right)
- (2) Depth Braces (Left & Right)
- (1) Width Bracket

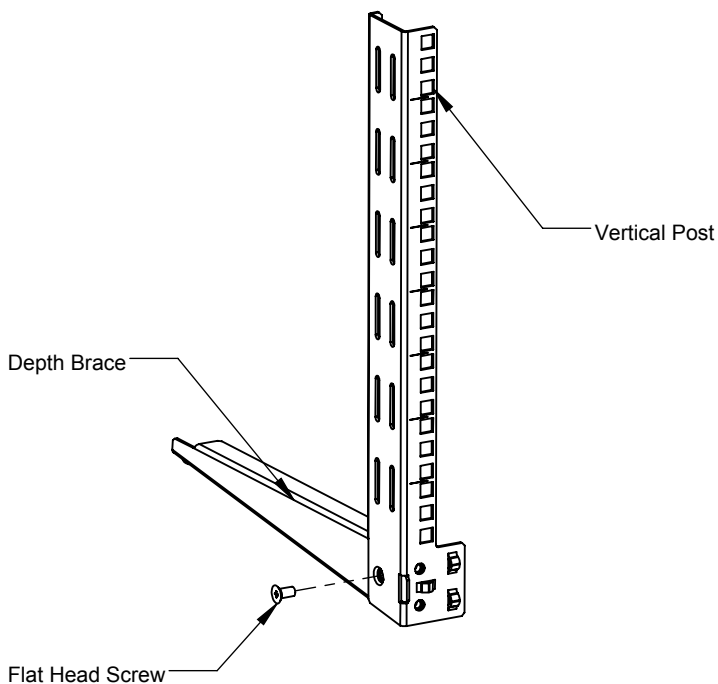
Mounting Hardware:

- (4) .250 x .500 Pan Head Screw
- (2) .250 x .500 Flat Head Screw
- (4) Lock Washers

Installation Instructions

Step 1 Assemble Rack Sides: Secure the Vertical Post to the corresponding Depth Brace using the Flat Head Screw.

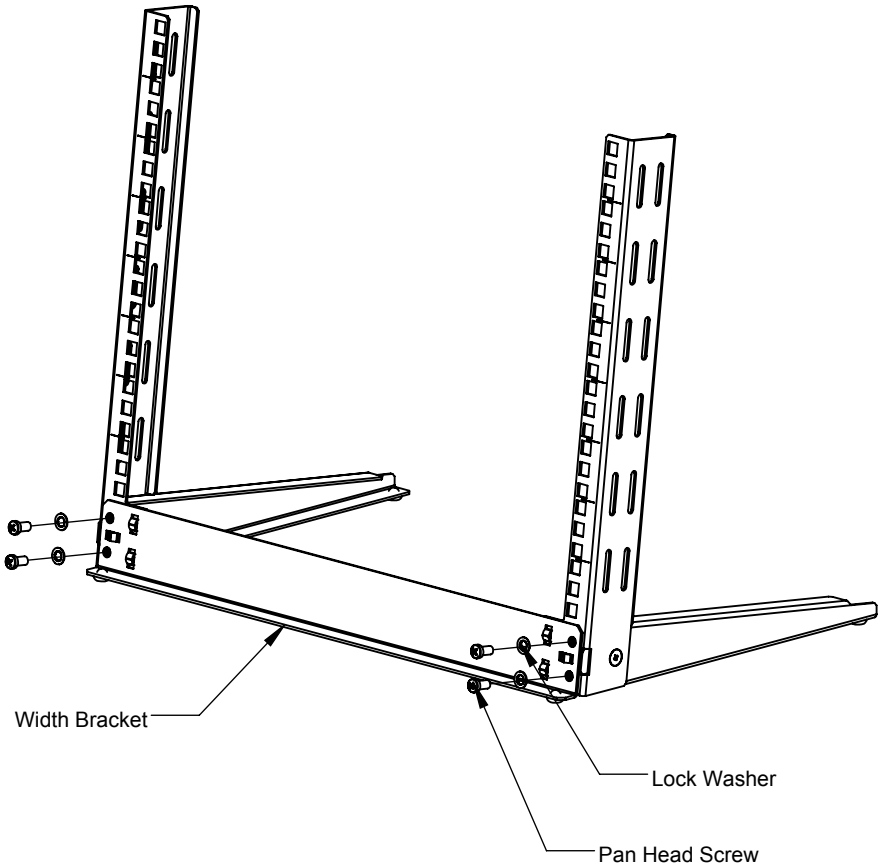
Note: Rubber Bumper on Depth Brace should be on bottom when the rack is assembled



Step 2 Repeat Step 1 to assemble opposite side of Rack

Installation Instructions

Step 3 Attach Width Bracket: Attach the Width Bracket to the sides of the Rack using (4) Pan Head Screws and (4) Lock Washers.



Note: For added security and stability, remove the (4) Rubber Bumpers and secure the Rack to mounting surface using appropriate fasteners.



Boldly Creative



Expert Customer Service



Focus On Quality



Ships Same Day

Warranty Statement

Innovation First, Inc. warrants our products against defects in material and workmanship for a period of one (1) year from the date of purchase. Innovation First, Inc. liability shall be limited to repairing or replacing, at our option, any defective product.

5383