



Boldly Creative



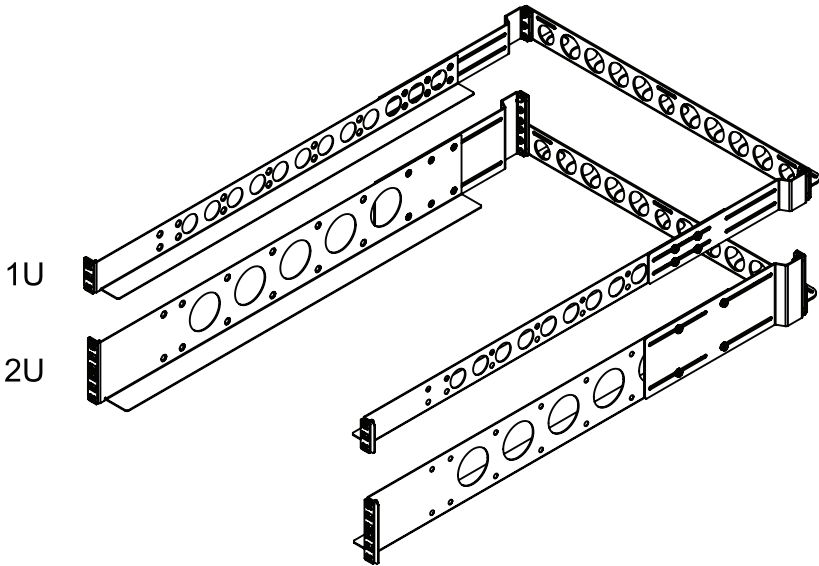
Expert Customer Service



Focus On Quality



Ships Same Day



Installation Instructions

Kit P/N: 109-8251

109-8421

Kit Contents

Kit Contents:

- (1) Left Fixed Rail
- (1) Right Fixed Rail
- (2) Rear Brackets
- (1) Cable Crossbar
- (1) 30" Hook and Loop Cable Tie

Mounting Hardware:

- (9 or 11) 8-32 x .500 Pan Head Screw
- (2) Square-hole Retainer Plate
- (2) Round-hole Retainer Plate

Rear Bracket Hardware:

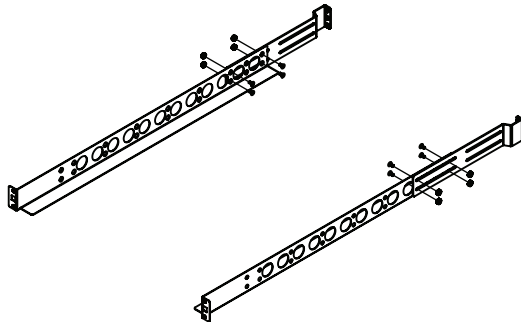
- (9) 8-32 x .312 Flat Head Screw
- (9) 8-32 Keps Nut

4Post Installation Instructions

Step 1 Rail Assembly: Attach the Rear Brackets to each Fixed Rail using (4) 8-32 Flat Head Screws and (4) 8-32 Keps Nuts. Always install the (4) screws and nuts as widely spaced as possible.

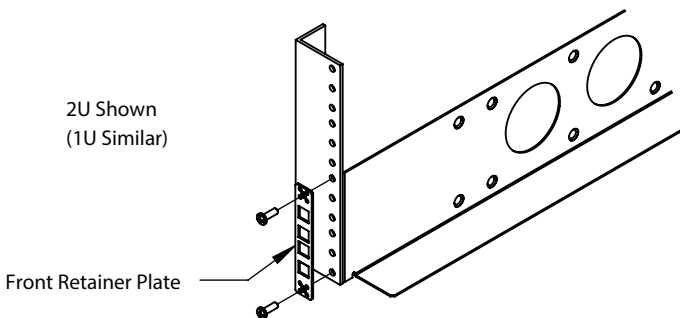
There are multiple ways to orient the Rear Brackets.

1U Shown
(2U Similar)



Step 2 Front Rack Attachment: Attach the front of each Fixed Rail to the rack using (2) 8-32 Pan Head Screws and (1) Square-hole Retainer Plate. Repeat for the other side.

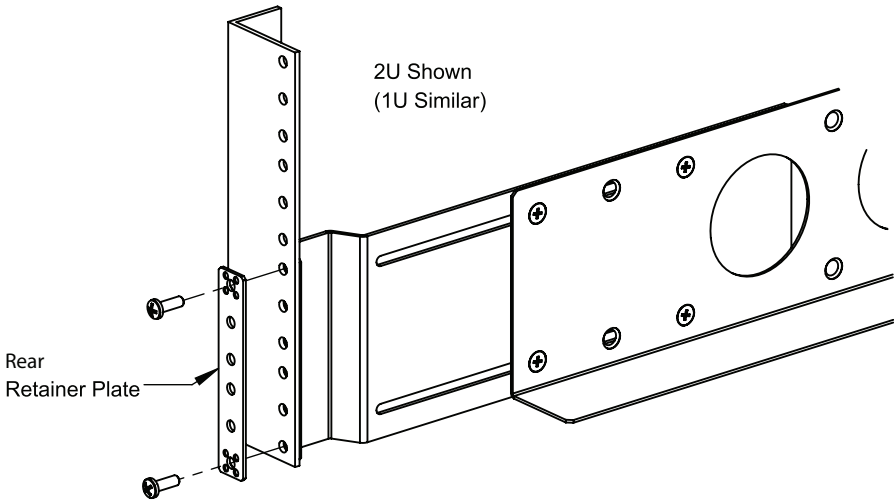
2U Shown
(1U Similar)



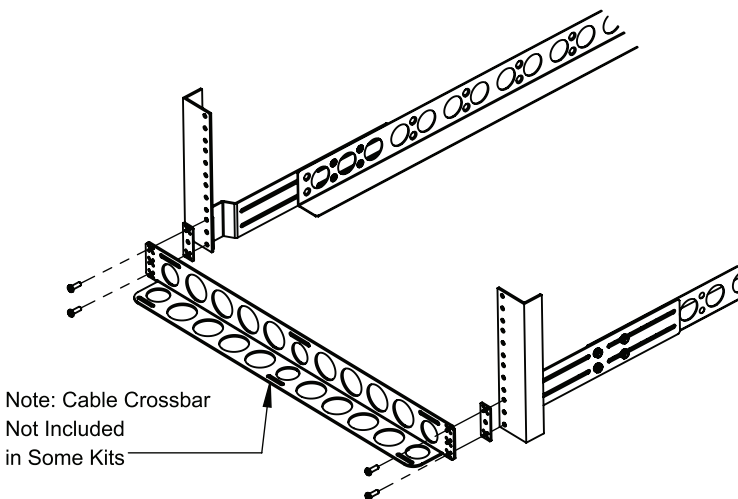
Note: Front and Rear Retainer Plates are different.

4Post Installation Instructions

- Step 3 **Rear Rack Attachment:** Attach the back of each Fixed Rail to the rack using (2) 8-32 Pan Head Screws and (1) Round-hole Retainer Plate. Repeat for the other side (if using the Cable Crossbar skip to Step 4).



- Step 4 **Cable Crossbar Attachment:** Attach the Cable Crossbar to the rack using (2) 8-32 Pan Head Screws. The Cable Crossbar can be co-located with the brick plates (as shown below). The Cable Crossbar can be installed in other locations as needed.





Boldly Creative



Expert Customer Service



Focus On Quality



Ships Same Day

You're going to ♥ working with us Global company - small town service

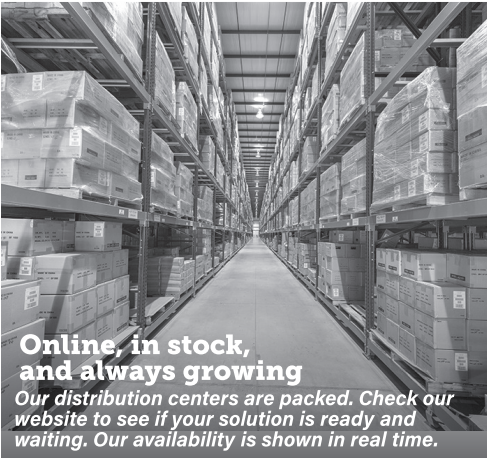
Custom Engineering

Our top notch (in-house) mechanical and electrical engineers are available to solve your toughest custom design challenges.



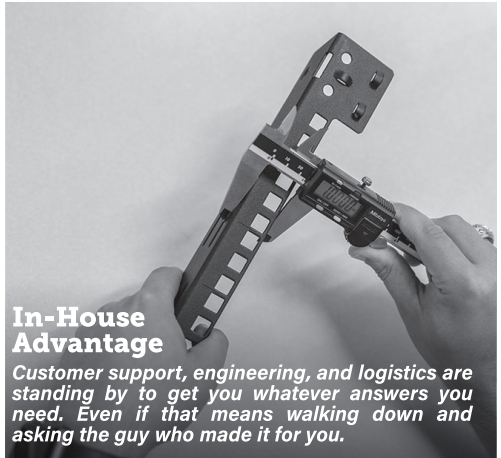
On-Site Manufacturing

Our manufacturing facility is on-site at our Texas headquarters. If we send them a drawing in the morning, we can have parts ready to ship-out that evening.



Online, in stock, and always growing

Our distribution centers are packed. Check our website to see if your solution is ready and waiting. Our availability is shown in real time.



In-House Advantage

Customer support, engineering, and logistics are standing by to get you whatever answers you need. Even if that means walking down and asking the guy who made it for you.

Warranty Statement

Innovation First, Inc. warrants our products against defects in material and workmanship for a period of one (1) year from the date of purchase. Innovation First, Inc. liability shall be limited to repairing or replacing, at our option, any defective product.