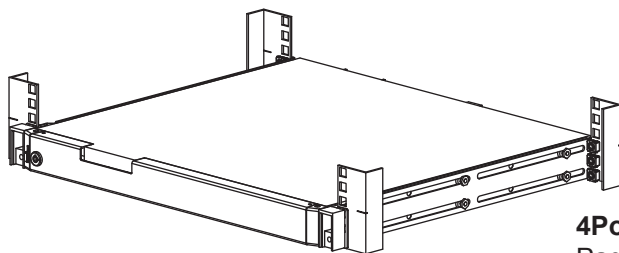
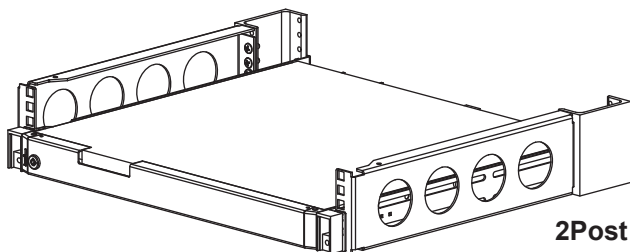




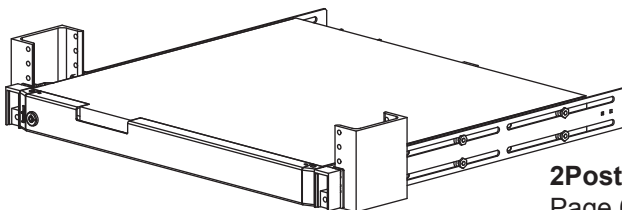
4Post and 2Post Rails for Dell PowerEdge R210



4Post
Page 2



2Post Center
Page 4



2Post Flush
Page 6

Installation Instructions

Kit P/N: 109-1953

109-1956

Kit Contents

Kit Contents:

- (1) Right Rail Assembly
- (1) Left Rail Assembly

Mounting Hardware:

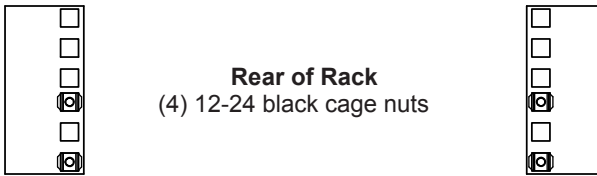
- (2) Hook Plates (Left & Right)
- (2) Angle Bracket
- (4) 8-32 x .500 Pan Head
- (4) 8-32 x .375 Flat Head
- (4) 8-32 Keps Nut

Rack Mount 4x:

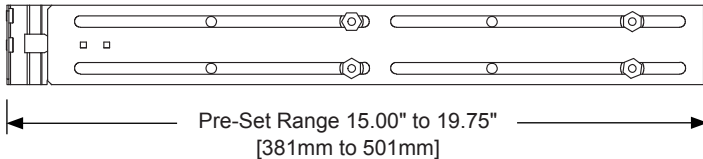
- (4) 10-32 x .500 Pan Head
- (4) 12-24 x .500 Pan Head
- (4) 12-24 Square Nut
- (4) 12-24 Cage Nut

4Post Installation Instructions

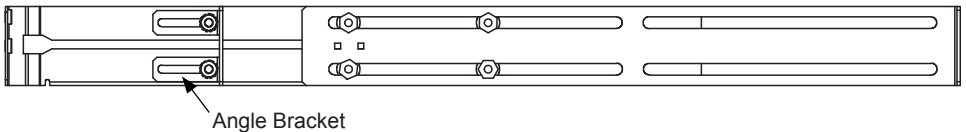
Step 1. Install cage nuts as shown at the rear of a square hole rack: (4) 12-24 black cage nuts.



Step 2a. The rail kit is pre-set for rack depths of 15.00" to 19.75" [381mm to 501mm]: If your rack is greater than 19.75" [501mm] deep, move the hardware attaching the Rear Slider brackets to get the needed adjustment range. Moving the hardware attaching the Rear Slider can achieve any depth from 15" to 23.5" [381mm to 596mm].



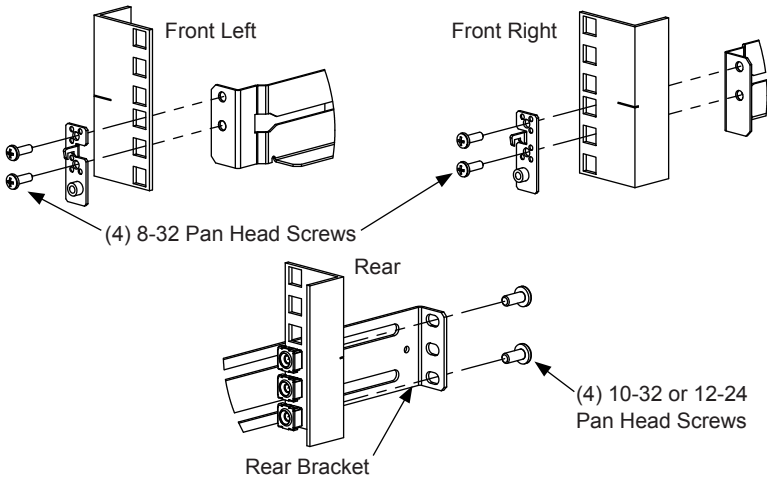
Step 2b. For rack depths greater than 20.00" [508mm]: Attach Angle Bracket to both rails using supplied hardware as shown.



4Post Installation Instructions

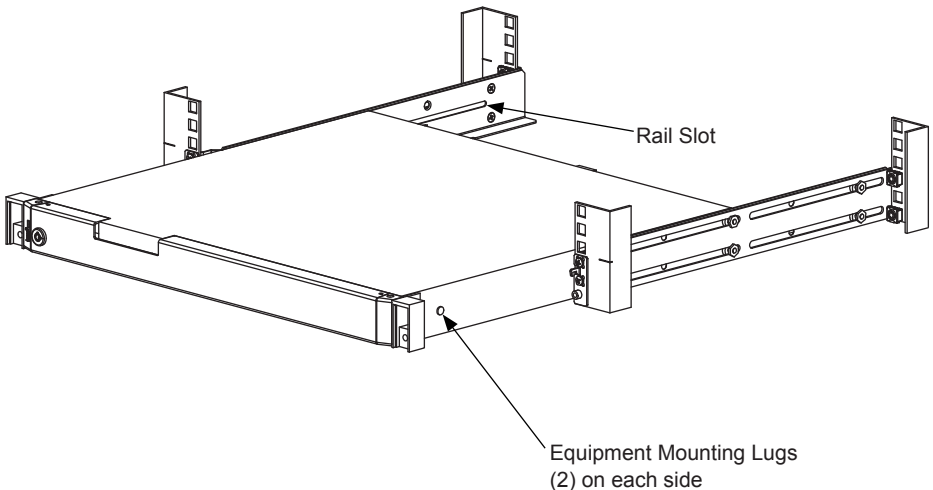
Step 3. Attach the rails to the rack:

- Attach the front and Rear of the rails to the 4Post rack using (4) supplied Pan Head Screws on each side
- Tighten the front and rear Pan Head Screws on the right side rail. Leave the front and rear Pan Head Screws on the left side rail slightly loose.



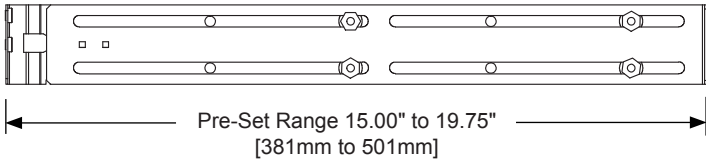
Step 4. Install the equipment: Slide the equipment onto the rails so the Equipment Mounting Lugs on each side slide into the Rail Slot on both sides. Slide the equipment all the way in. Tighten the (2) Pan Head Screws on the back of the left slide rail. Slide the equipment out about 8 inches and tighten the (2) Pan Head Screws on the front of the left slide rail.

Note: When tightening the loose rails, support the bottom of the server to ensure proper rail adjustment.



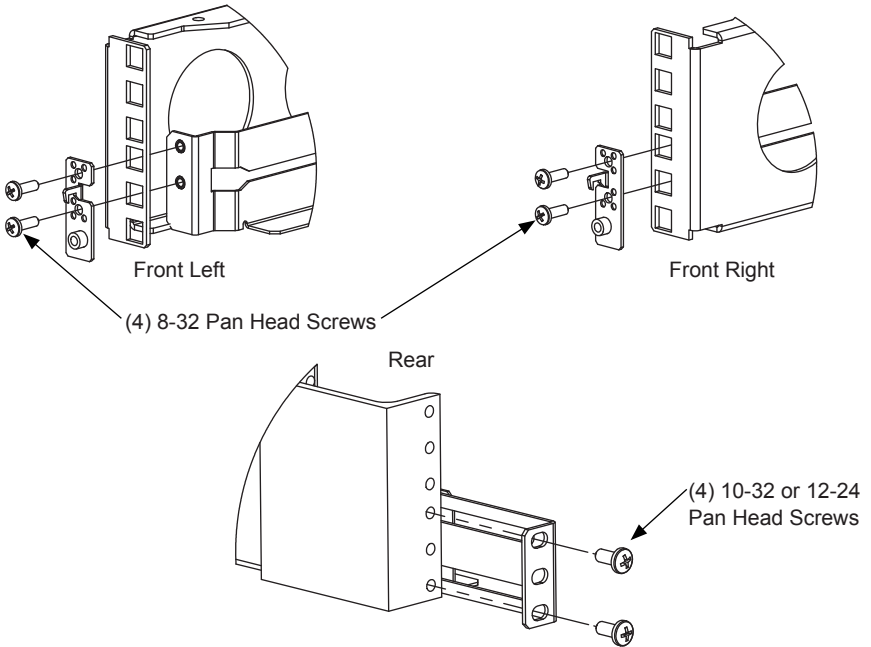
2Post Center Installation Instructions

Step 1. Installing Rail Kit: Installing this rail kit in a 2Post center rack requires the 109-1956 kit with no change to the pre-assembled rail configuration.



Step 2. Attach the rails to the rack:

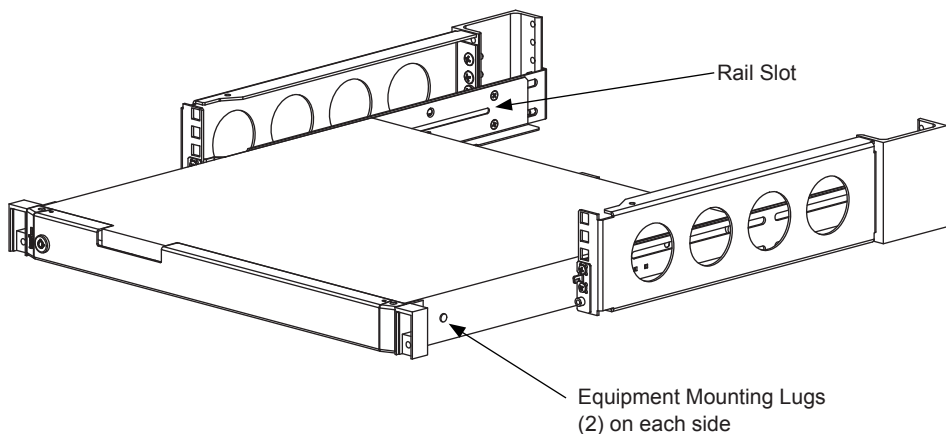
- Attach the 2Post Adapter Bracket per the "2 Post Racking System" Instructions.
- Attach the Front and Rear of the rails to the 2Post rack using (4) supplied Pan Head Screws on each side.
- Tighten the front and rear Pan Head Screws on the right side rail. Leave the front and rear Pan Head Screws on the left side rail slightly loose.



2Post Center Installation Instructions

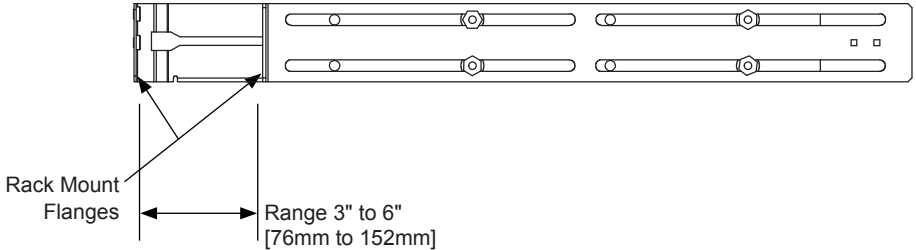
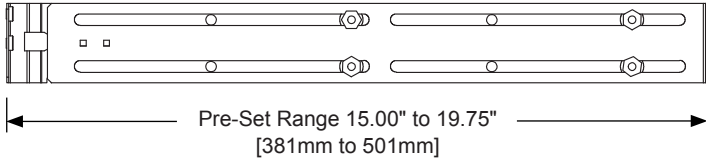
Step 3. Install the equipment: Slide the equipment onto the rails so the Equipment Mounting Lugs on each side slide into the Rail Slot on both sides. Slide the equipment all the way in. Tighten the (2) Pan Head Screws on the back of the left slide rail. Slide the equipment out about 8 inches and tighten the (2) Pan Head Screws on the front of the left slide rail.

Note: When tightening the loose rails, support the bottom of the server to ensure proper rail adjustment.



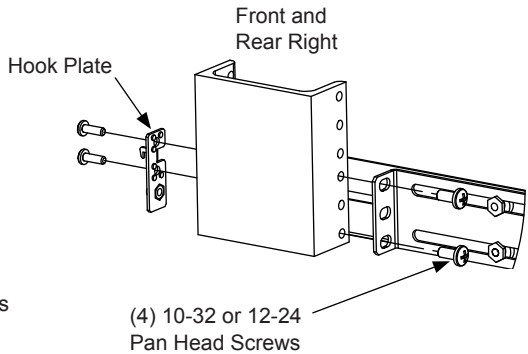
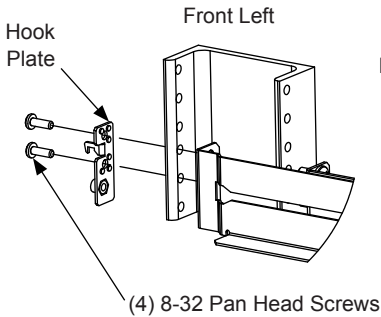
2Post Flush Installation Instructions

Step 1. Install Rails: Installing this rail kit in a 2Post flush rack requires a change to the pre-assembled rail configuration as follows: Reverse the rear slider so that the flange is toward the front. (Note: this will require a 3/8" wrench or ratchet).



Step 2. Attach the rails to the rack:

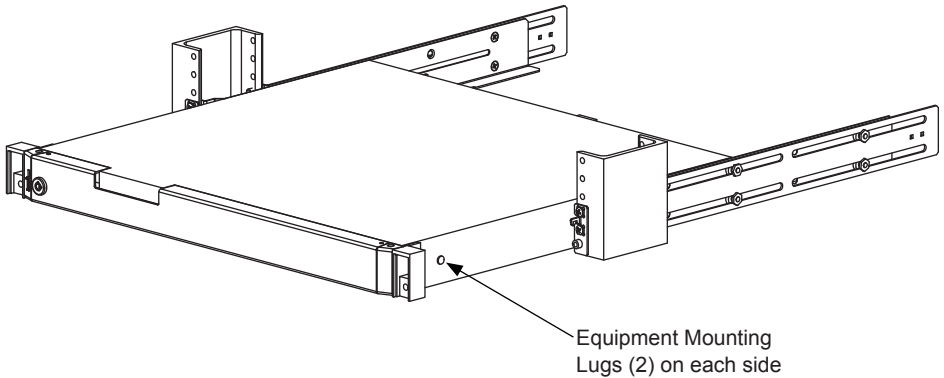
- Attach the Front and Rear of the rails to the 2Post rack using (4) supplied Pan Head Screws on each side.
- Tighten the front and rear Pan Head Screws on the right side rail. Leave the front and rear Pan Head Screws on the left side rail slightly loose.



2Post Flush Installation Instructions

Step 3. Install the equipment: Slide the equipment onto the rails so the Equipment Mounting Lugs on each side slide into the Rail Slot on both sides. Slide the equipment all the way in. Tighten the (2) screws on the back of the left slide rail. Slide the equipment out about 8 inches and tighten the (2) screws on the front of the left slide rail.

Note: When tightening the loose rails, support the bottom of the server to ensure proper rail adjustment.





Boldly Creative



Expert Customer Service



Focus On Quality



Ships Same Day

Warranty Statement

Innovation First, Inc. warrants our products against defects in material and workmanship for a period of one (1) year from the date of purchase. Innovation First, Inc. liability shall be limited to repairing or replacing, at our option, any defective product.

1953 1956