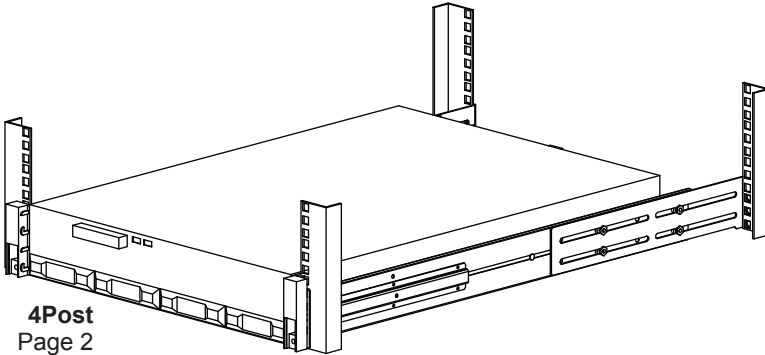
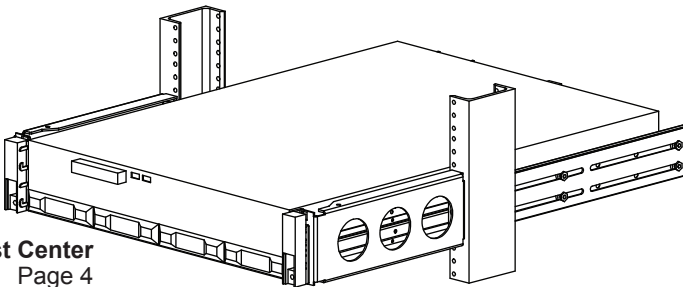




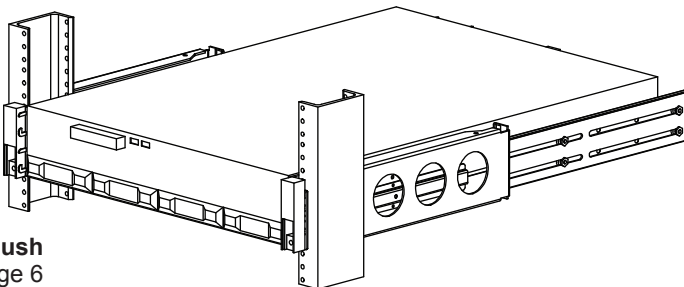
## 4Post and 2Post Rails for Dell PowerEdge R510 Servers



**4Post**  
Page 2



**2Post Center**  
Page 4



**2Post Flush**  
Page 6

### Installation Instructions

Kit P/N: 109-1837

109-1872

# Kit Contents

---

## Kit Contents:

- (1) Right Rail Assembly
- (1) Left Rail Assembly

## 2Post Adapter Kit (109-1872 Only):

- (2) 2Post Adapter Brackets
- (8) 12-24 x .500 Slotted Self-tapping Screws

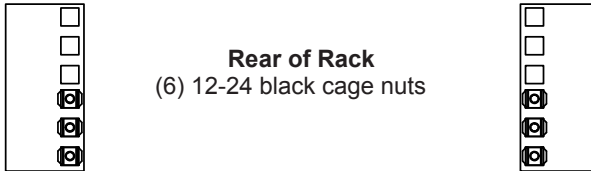
## Mounting Hardware:

- (2) Hook Plates (Left & Right)
- (6) 8-32 x .500 Pan Head
- (6) 10-32 x .500 Pan Head
- (6) 12-24 x .500 Pan Head
- (6) 12-24 Cage Nut

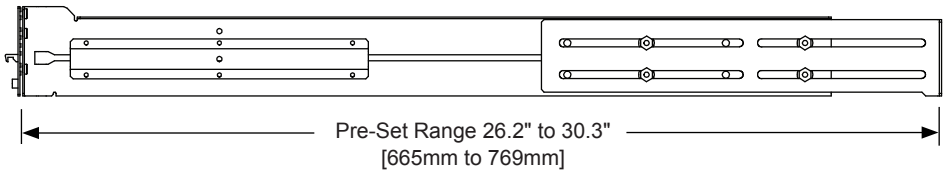
# 4Post Installation Instructions

---

**Step 1.** Install cage nuts as shown at the rear of a square hole rack: (6) 12-24 black cage nuts.

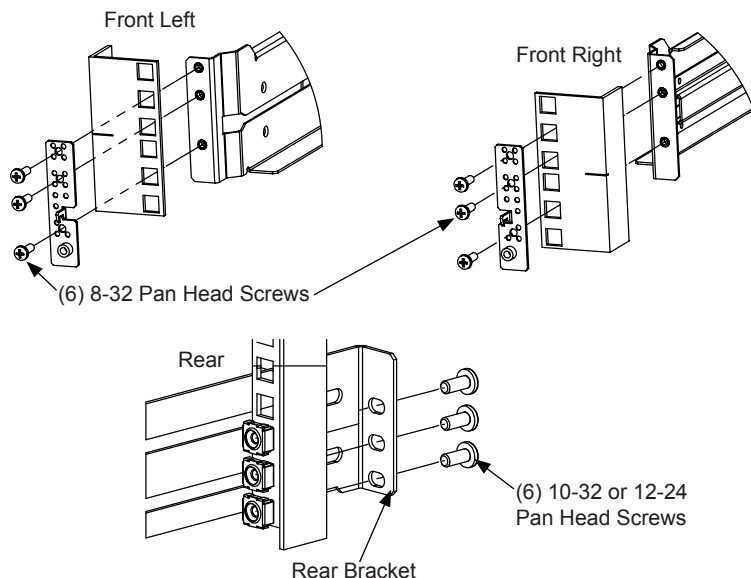


**Step 2.** The rail kit is pre-set for rack depths of 26.2" to 30.3" [665mm to 769mm]. Moving the hardware attaching the Rear Slider can achieve any depth from 11.0" to 34.0" [279mm to 769mm].



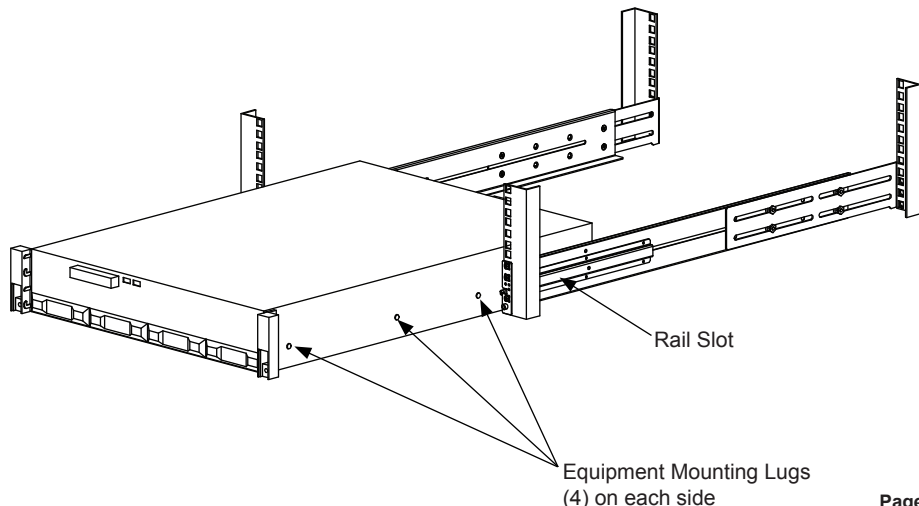
## 4Post Installation Instructions

**Step 3.** Attach the front and rear of both rails to the rack using supplied screws at each rail end: Tighten the front and rear Pan Head Screws on the right side rail. Leave the front and rear Pan Head Screws on the left side rail slightly loose.



**Step 4.** Install the equipment using two people: With one person on each side of the equipment, slide the equipment onto the rails so the Equipment Mounting Lugs on each side slide into the Rail Slot on both sides. Slide the equipment all the way in. Tighten the (3) Pan Head Screws on the back of the left slide rail. Slide the equipment out about 8 inches and tighten the (3) Pan Head Screws on the front of the left slide rail.

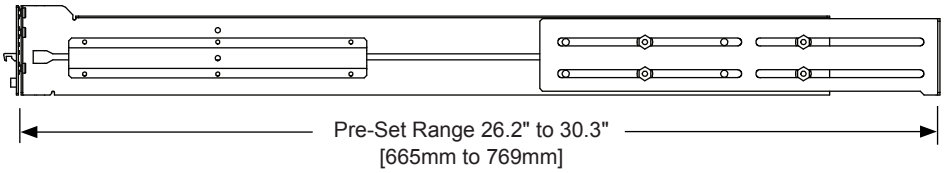
**Note:** When tightening the loose rails, support the bottom of the server to ensure proper rail adjustment.



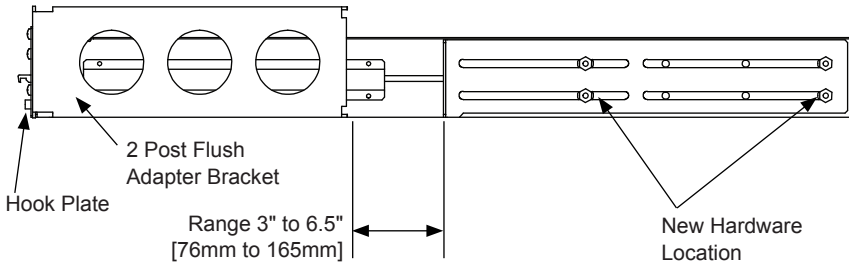
# 2Post Center Installation Instructions

**Step 1. Install Rails:** Installing this rail kit in a 2Post center rack requires the 109-1872 Kit and a change to the pre-assembled rail configuration as follows (Note: this will require a 3/8" wrench or ratchet).

**Rail in Supplied Configuration**

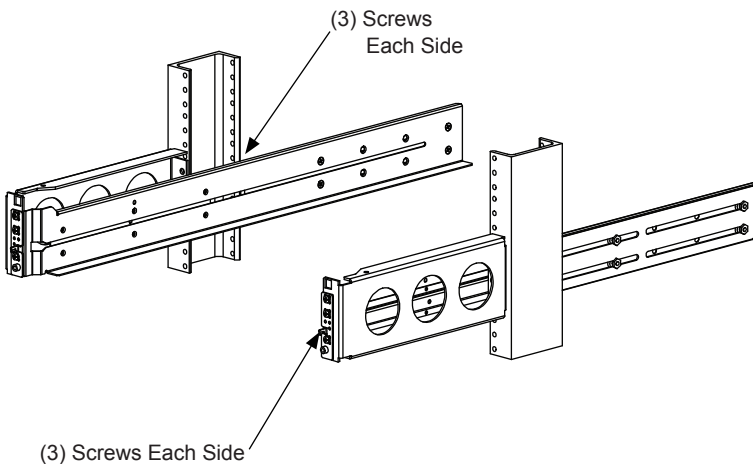


**"Right" Rail in the new 2Post Center Configuration**



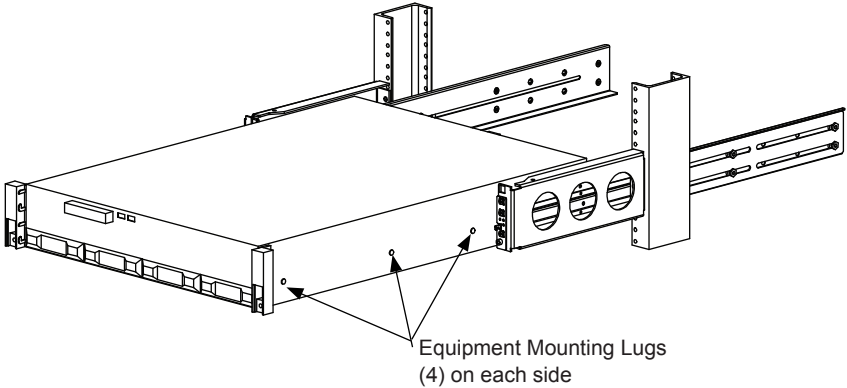
**Step 2. Attach the rails to the rack:**

- Attach the Front of the rails to the 2Post Adapter Bracket using the Hook Plate and (3) supplied Pan Head Screws on each side.
- Attach the 2Post Adapter Bracket per the "2 Post Racking System" Instructions.
- Attach the Rear of the rails to the 2Post rack using (3) supplied Pan Head Screws on each side.



## 2Post Center Installation Instructions

- Step 3.** Tighten the front and rear screws on the right side rail: Leave the front and rear screws on the left side rail slightly loose.
- Step 4.** Install the equipment using two people: With one person on each side of the equipment, slide the equipment onto the rails so the Equipment Mounting Lugs on each side slide into the Rail Slot on both sides. Slide the equipment all the way in. Tighten the (3) screws on the back of the left side rail. Slide the equipment out about 8 inches and tighten the (3) screws on the front of the left side rail.

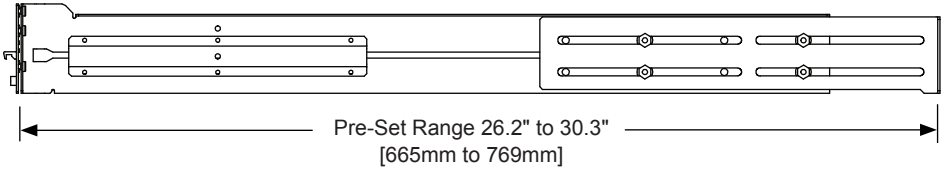


# 2Post Flush Front Installation Instructions

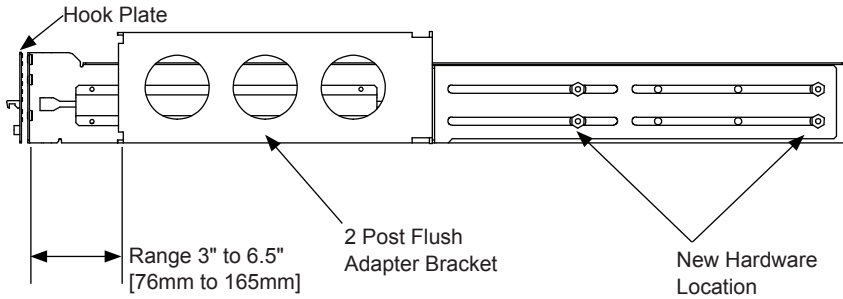
**Step 1. Install Rails:** Installing this rail kit in a 2Post flush rack requires the 109-1872 Kit and a change to the pre-assembled rail configuration as follows (Note: this will require a 3/8" wrench or ratchet).

Remove the Angle Brackets and associated hardware from the pre-assembled rails.

## Rail in Supplied Configuration



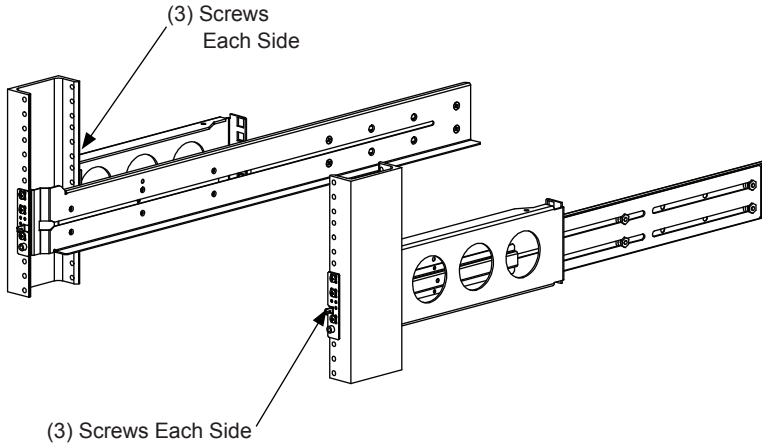
## "Right" Rail in the new 2Post Flush Configuration



## 2Post Flush Front Installation Instructions

### Step 2. Attach the rails to the rack:

- Attach the Front of the rails to the 2Post Adapter Bracket using the Hook Plate and (3) supplied Pan Head Screws on each side.
- Attach the 2Post Adapter Bracket per the "2 Post Racking System" Instructions.
- Attach the Rear of the rails to the 2Post rack using (3) supplied Pan Head Screws on each side.

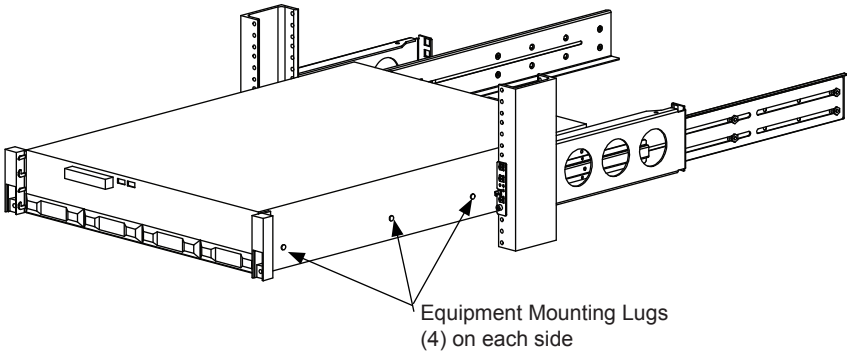




## 2Post Flush Front Installation Instructions

**Step 3.** Tighten the front and rear screws on the right side rail: Leave the front and rear screws on the left side rail slightly loose.

**Step 4.** Install the equipment using two people: With one person on each side of the equipment, slide the equipment onto the rails so the Equipment Mounting Lugs on each side slide into the Rail Slot on both sides. Slide the equipment all the way in. Tighten the (3) screws on the back of the left slide rail. Slide the equipment out about 8 inches and tighten the (3) screws on the front of the left slide rail.



### Warranty Statement

Innovation First, Inc. warrants our products against defects in material and workmanship for a period of one (1) year from the date of purchase. Innovation First, Inc. liability shall be limited to repairing or replacing, at our option, any defective product.

**1837 1872**