



*Boldly Creative*



*Expert Customer Service*

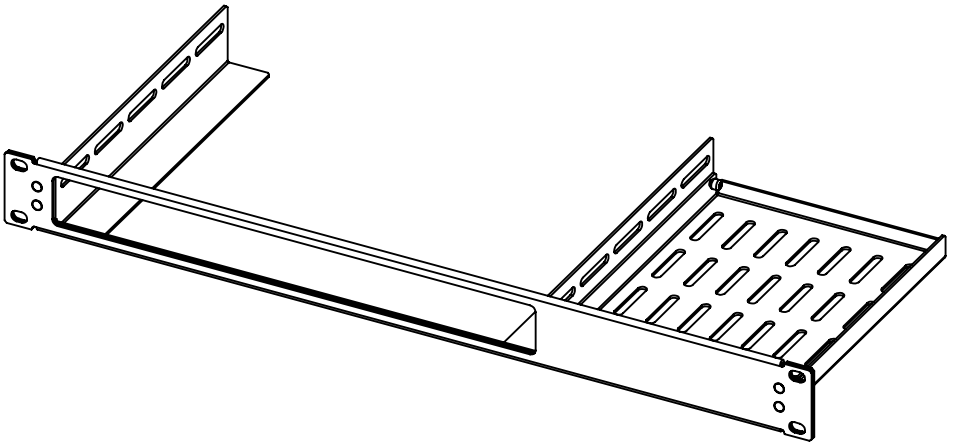


*Focus On Quality*



*Ships Same Day*

## Adjustable 2-Post Shelf



Installation Instructions

Kit P/N: 108-6899

# Kit Contents

## Kit Contents:

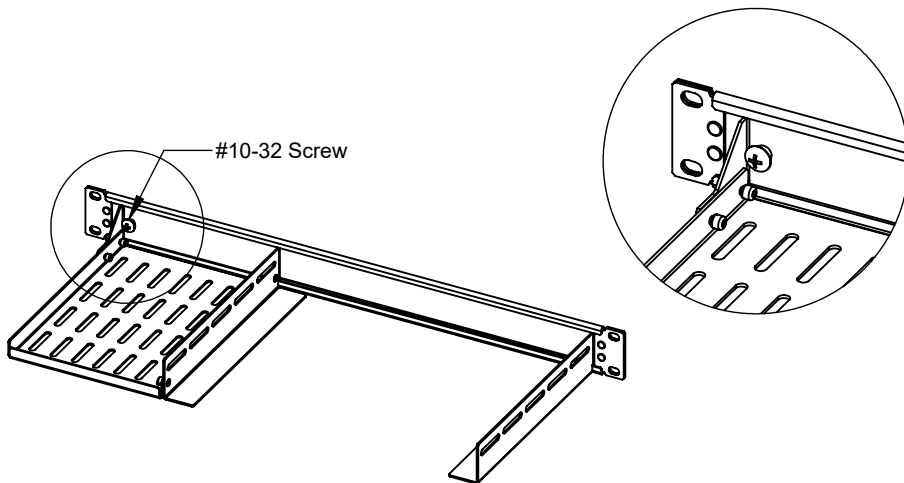
- (1) Adjustable 2-Post Shelf
- (1) #10-32 Phillips Head Screw
- (2) Push-In Bumpers
- (1) Hook and Loop

## Rack Mount Hardware x4:

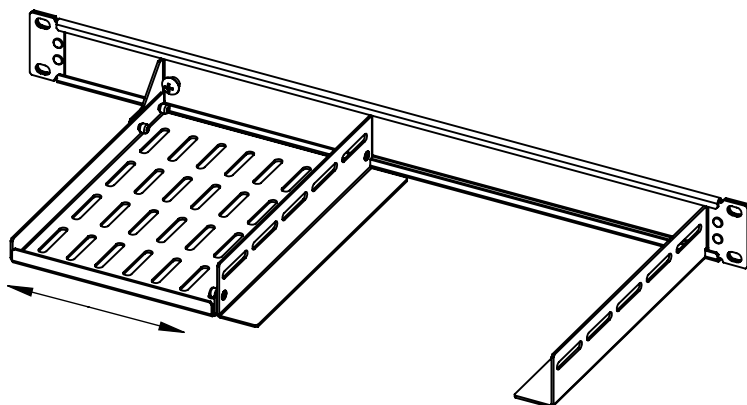
- (4) #10-32 Phillips Head Screws
- (4) #12-24 Phillips Head Screws
- (4) #12-24 Square Nuts
- (4) #12-24 Cage Nuts

## Installation Instructions

**Step 1** Unlock the Shelf: Loosen the #10-32 Screw attached to the shelf, but do not remove it.

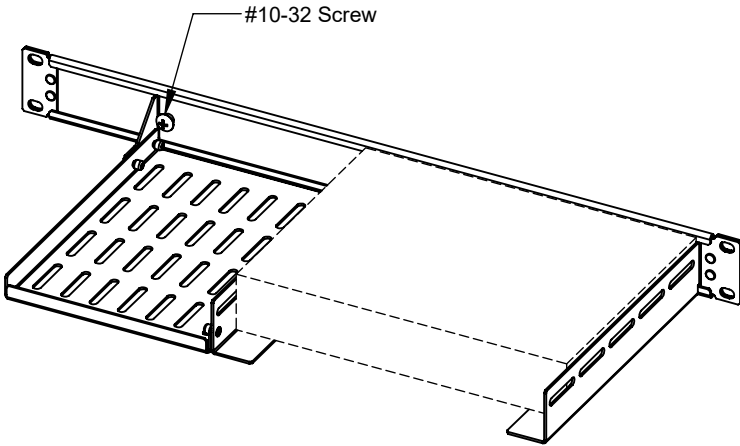


**Step 2** Adjust Shelf Position: Slide the shelf to an appropriate width for mounting the device.

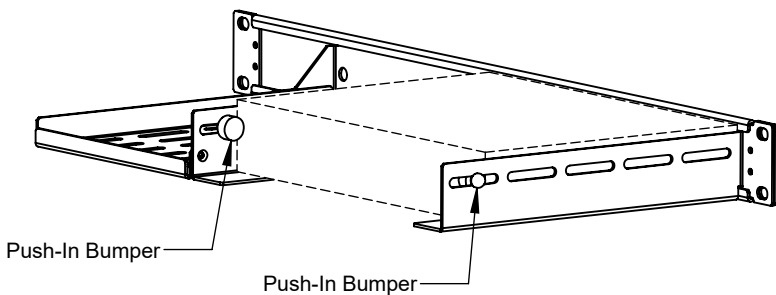


# Installation Instructions

- Step 3** Install Device and Lock Shelf in Position: Place the device on the shelf and tighten the #10-32 Screw to lock the shelf into place.



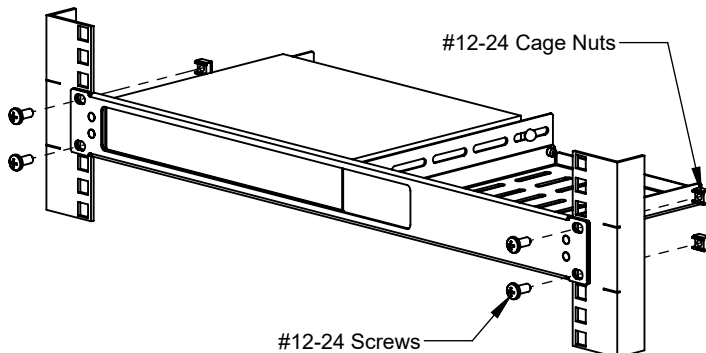
- Step 4** Install Push-In Bumpers: Slide the Push-In Bumpers to an appropriate location along the rear slots to secure the back of the device.





## Installation Instructions

- Step 5** Mount the Shelf: Using the hardware pack, Rack Mount Hardware x4, install the #12-24 Cage Nuts to the rack and then screw the shelf into the Cage Nuts with the #12-24 Screws.



- Step 6** Install Hook and Loop: If necessary, secure any device accessories in the side shelf with hook and loop.

### Warranty Statement

Innovation First, Inc. warrants our products against defects in material and workmanship for a period of one (1) year from the date of purchase. Innovation First, Inc. liability shall be limited to repairing or replacing, at our option, any defective product.