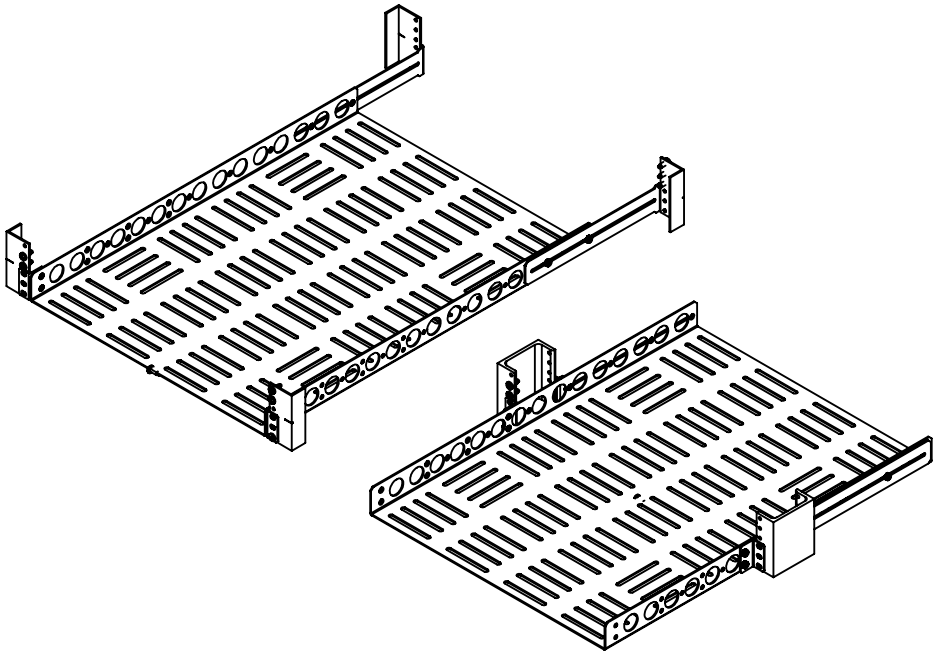




4Post and 2Post Universal Shelf System



Installation Instructions

Kit P/N: 108-4013
108-4261

Kit Contents

Kit Contents:

- (1) Shelf
- (2) Rear Brackets

Front Hardware Kit

- (4) 8-32 x .375 Flat Head Screw
- (4) 8-32 Keps Nut
- (2) Front Brackets

Rear Hardware Kit

- (4) 8-32 x .375 Flat Head Screw
- (4) 8-32 Keps Nuts

Rear Mount 8x

- (8) 10-32 x .500 Pan Head Screw
- (8) 12-24 x .500 Pan Head Screw
- (8) 12-24 x Square Nut
- (8) 12-24 x Cage Nut

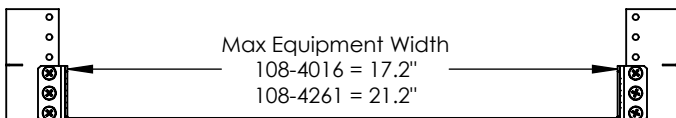
Installation Instructions

Step 1. Shelf Orientation:

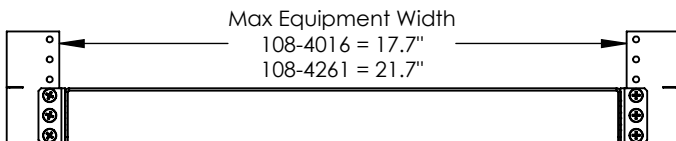
- a) 108-4013 (19" Racks) = 17.2"
- b) 108-4261 (23" Racks) = 21.2"

For equipment less than the dimensions shown above, mount in Right Side Up Orientation shown below. For equipment larger than the dimensions shown above, mount in Upside Down Orientation shown below. Right Side Up mounting is preferred since it saves vertical rack space. All subsequent instructions assume a Right Side Up orientation.

Right Side Up Orientation



Upside Down Orientation

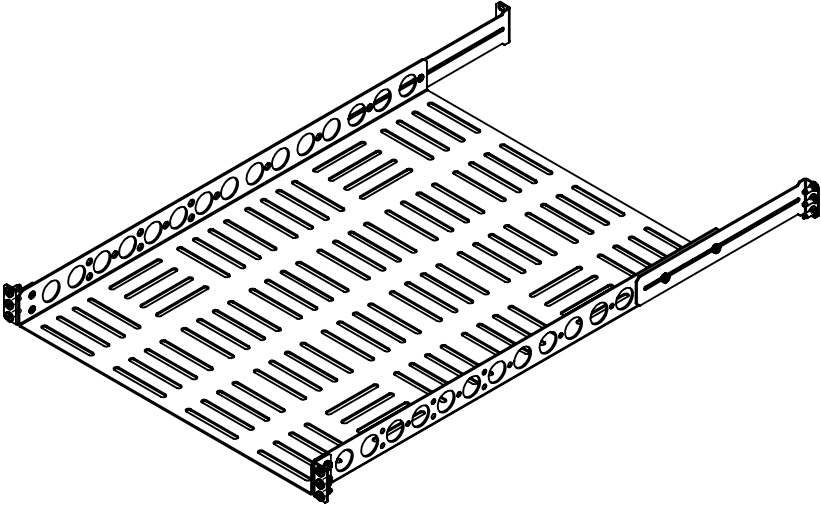


Step 2. Three Mounting Orientations: This kit can be installed in three basic configurations:

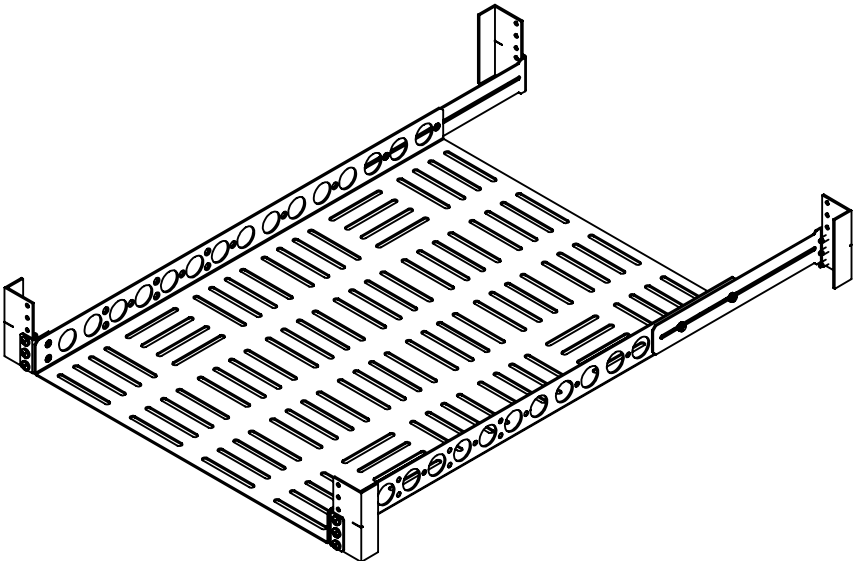
- 4Post.....Go to Page 3
- 2Post Centered.....Go to Page 4
- 2Post Flush.....Go to Page 5

4Post Installation Instructions

- Step 1** Attach Front Brackets: Attach the (2) Front Brackets (located as shown below) using the Front Hardware Kit. See Page 6 for details.
- Step 2** Attach Rear Brackets: Attach the (2) Rear Slide Brackets as shown below using the Rear Hardware Kit. See Page 7 for details. The location of the Rear Slide Brackets depends on your rack's mounting depth.



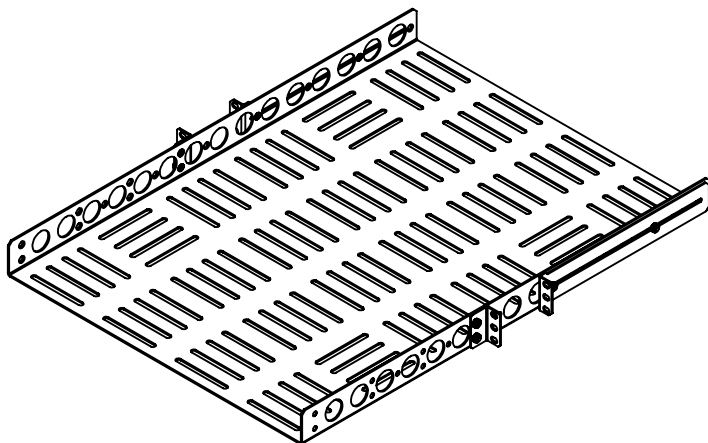
- Step 3** Attach Shelf Assembly: Attach the shelf assembly to the rack as shown below using the Rack Hardware Kit. See Page 8 for rack hardware requirements.



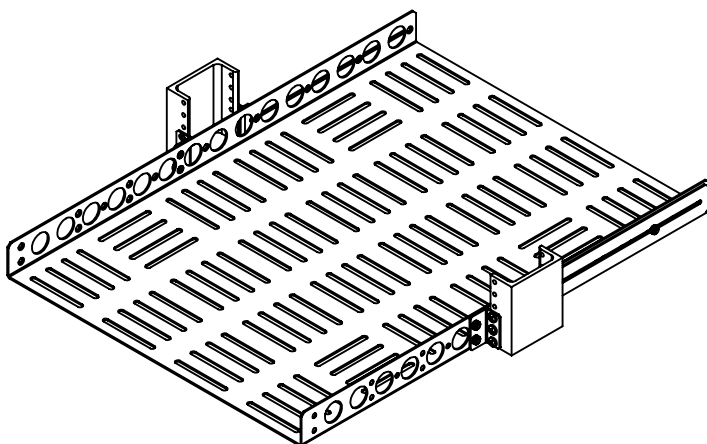
2Post Center Installation Instructions

Step 1 Attach Front Brackets: Attach the (2) Front Brackets (located as shown below) using the Front Hardware Kit. See Page 6 for details.

Step 2 Attach Rear Brackets: Attach the (2) Rear Slide Brackets as shown below using the Rear Hardware Kit. See Page 7 for details. The location of the Rear Slide Brackets depends on your rack's mounting depth.

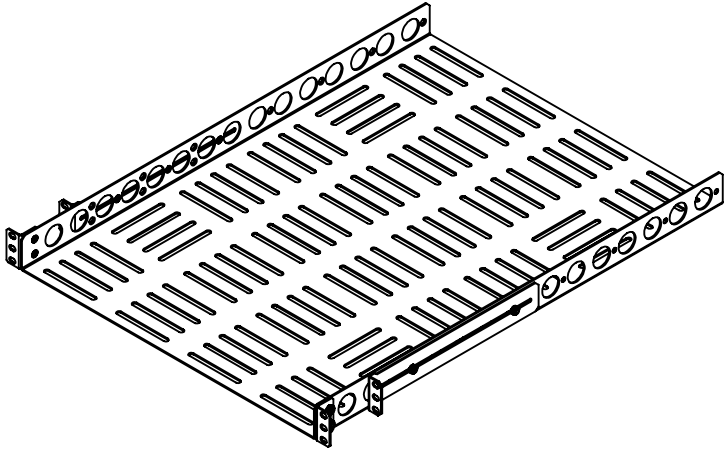


Step 3 Attach Shelf Assembly: Attach the shelf assembly to the rack as shown below using the Rack Hardware Kit. See Page 8 for rack hardware requirements.

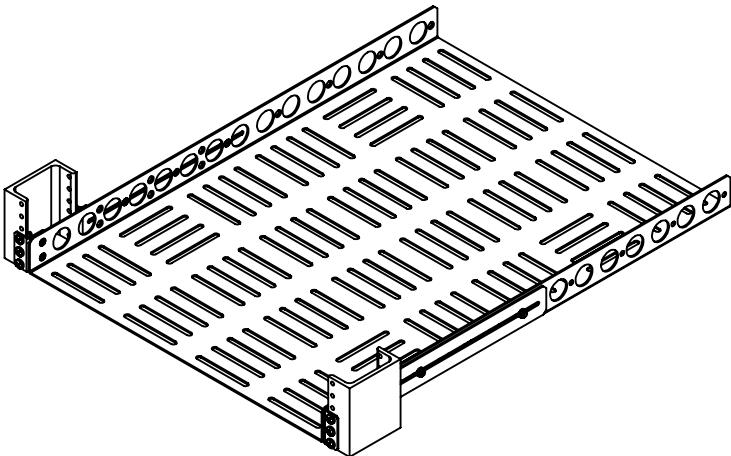


2Post Flush Installation Instructions

- Step 1** Attach Front Brackets: Attach the (2) Front Brackets (located as shown below) using the Front Hardware Kit. See Page 6 for details.
- Step 2** Attach Rear Brackets: Attach the (2) Rear Slide Brackets as shown below using the Rear Hardware Kit. See Page 7 for details. The location of the Rear Slide Brackets depends on your rack's mounting depth.



- Step 3** Attach Shelf Assembly: Attach the shelf assembly to the rack as shown below using the Rack Hardware Kit. See Page 8 for rack hardware requirements.

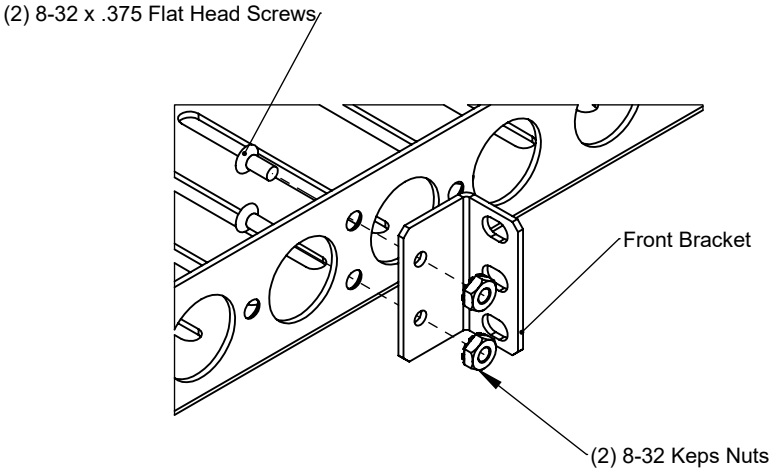
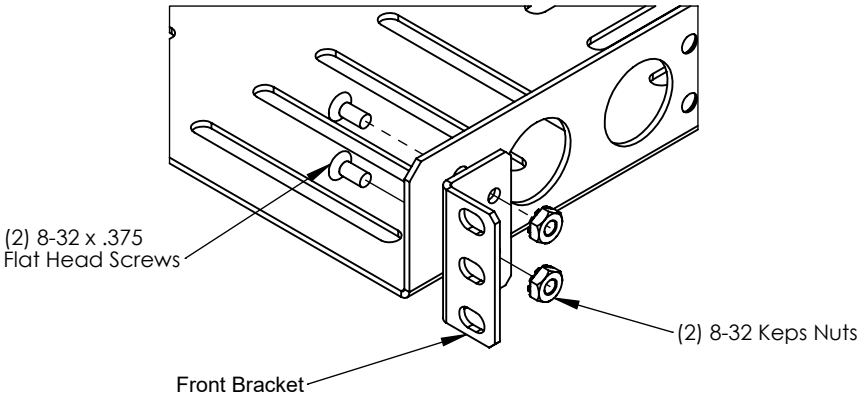


Front Bracket Installation Instructions

Attach the (2) Front Brackets (located as shown below) using (2) 8-32 Flat Head Screws and (2) 8-32 Keps Nuts from the Front Hardware Kit bag.

Note 1: There are two possible orientations for the Front Brackets (see below).

Note 2: There are four multiple locations for the Front Brackets.

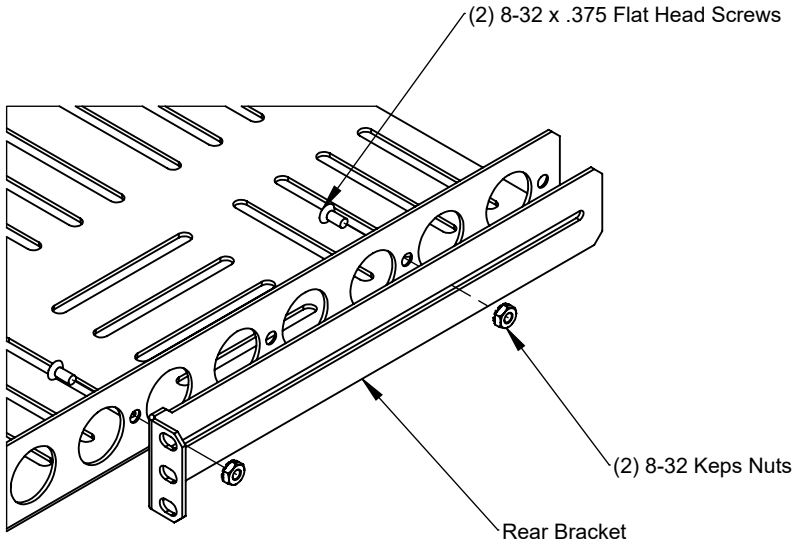
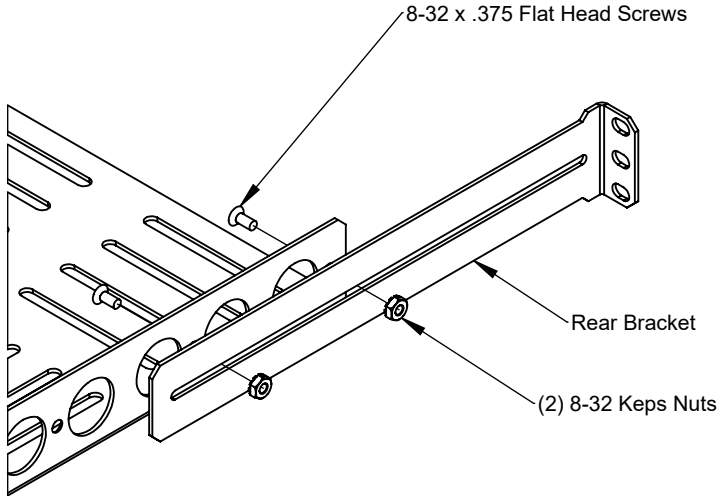


Rear Bracket Installation Instructions

Attach the (2) Rear Slide Brackets (located as shown below) using (2) 8-32 Flat Head Screws and (2) 8-32 Keps Nuts from the Rear Hardware Kit bag.

Note 1: There are two possible orientations for the Rear Slide Brackets.

Note 2: There are four multiple locations for the Front Brackets.





Boldly Creative



Expert Customer Service



Focus On Quality



Ships Same Day

Rack Hardware Kit

The Rack Hardware Kit provides various screws and nuts for the four most common types of racks.

Square Hole Racks: Install (2) Cage Nuts on each rack post in the top and bottom holes of the 1U space. Attach with the (larger) 12-24 Screws.

12-24 Threaded Racks: Attach with the (larger) 12-24 Screws. Use (2) screws on each rack post.

10-32 Threaded Racks: Attach with the (smaller) 10-32 Screws. Use (2) screws on each rack post.

Round Hole Racks (non-threaded): Attach with the (larger) 12-24 Screws and the square nuts. Use (2) screws and (2) nuts on each rack post.

Warranty Statement

Innovation First, Inc. warrants our products against defects in material and workmanship for a period of one (1) year from the date of purchase. Innovation First, Inc. liability shall be limited to repairing or replacing, at our option, any defective product.

ige in