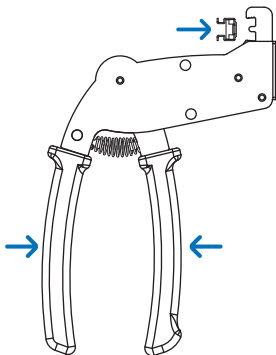


World's Best Cage Nut Tool

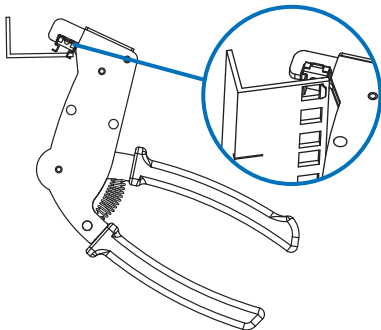
Allows users to install and remove cage nuts faster than anything else out there. Try it. You'll agree it's simply the World's Best.

To install cage nuts:

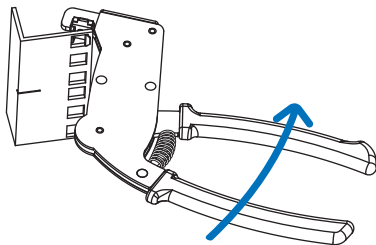
1. Squeeze handles to compress the cage nut's prongs



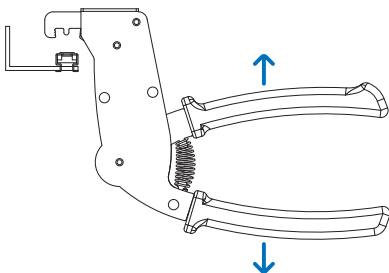
2. Hook cage nut prong into one part of the square hole



3. Tilt cage nut so the other prong is inside of the square hole



4. Release handles when both prongs are placed correctly in the rack



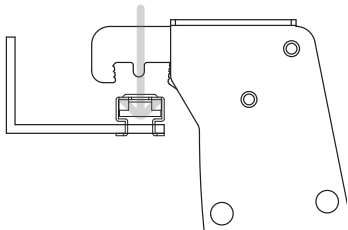
RackSolutions® If we can't mount it, no one can.

World's Best Cage Nut Tool

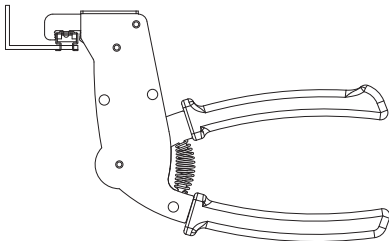
No more cuts on your hand. No more struggling with awkward angles. It's even got some comfy handles so that you can fill the world's largest data center and never get tired. This is how installing cage nuts should work.

To remove cage nuts:

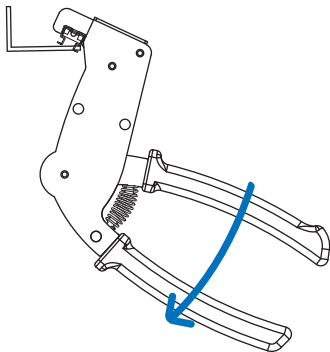
- 1. Grab** place the cage nut tool on top of the cage nut



- 2. Squeeze** handles to compress the cage nut's prongs



- 3. Tilt** cage nut so that one prong is released from the square hole



- 4. Unhook** other prong and remove the cage nut completely

