



FORZA DESIGNS™

Installation Instructions Xbox™ Controller

Kit Contents:

(2) Wall Mounts

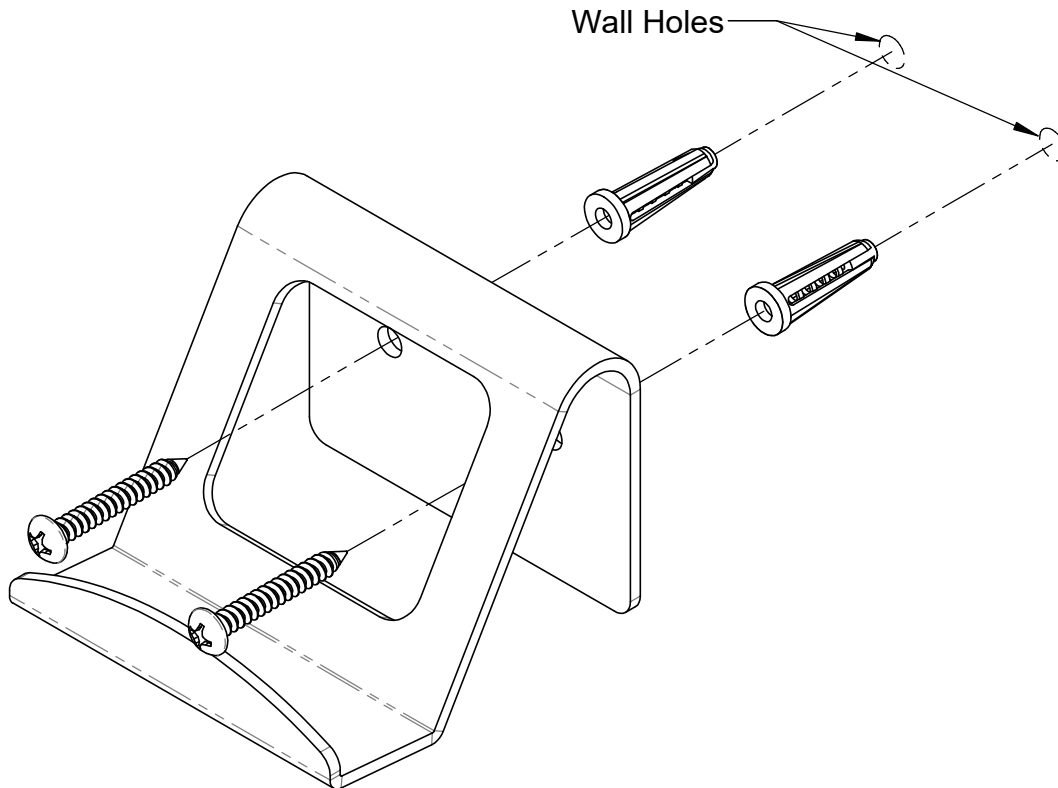
Hardware

(4) #6 x 1.00in Screws

(4) Wall Anchors

Installation Instructions

1. Find out where you want to mount your console, hold your mount against the wall, and then mark dots where the screw holes are located.
2. Drill holes into the wall where the dots are marked and place the anchors in these holes.
3. Hold your wall mount over the anchor holes and twist in the two screws.

**Time Required:**

5-10 Minutes

Tools Needed:

- Drill with 5/16" drill bit
- Phillips-head screwdriver
- Pencil

Disclosure:

Always consult a professional if unsure about how to install properly.

Forza Designs cannot be held liable for any accidents incurred from improperly installing the wall mount.