



*Boldly Creative*



*Expert Customer Service*

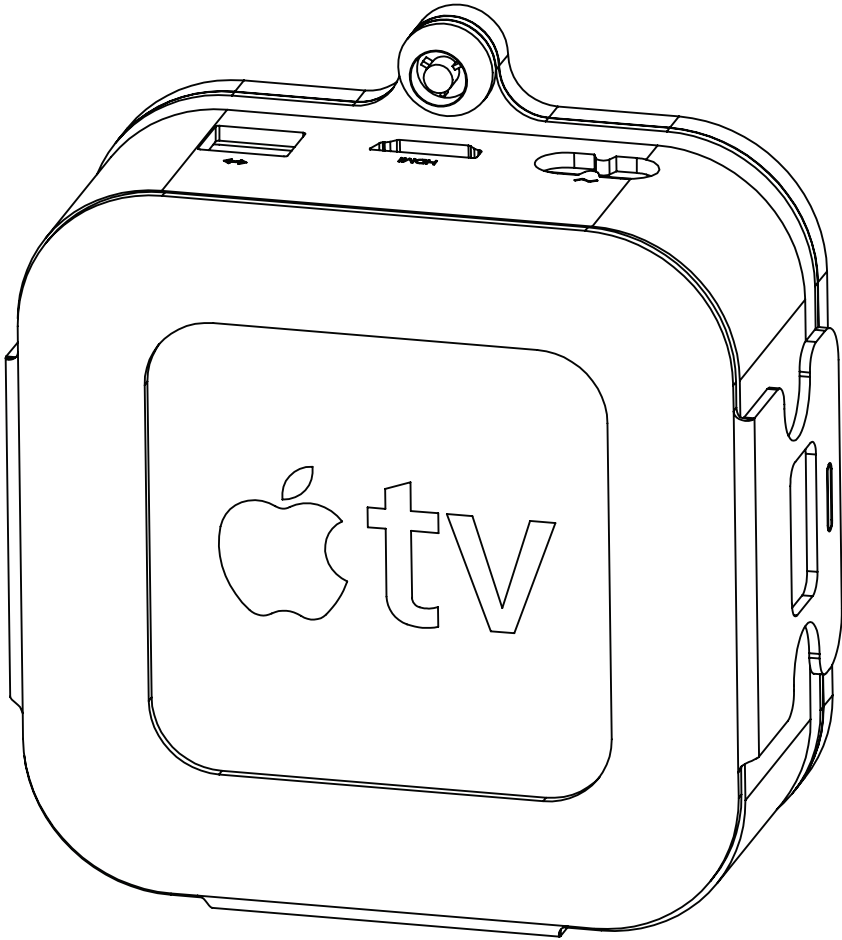


*Focus On Quality*



*Ships Same Day*

## Apple TV Wall Mount



### Installation Instructions

Kit P/N: 104-6100

Kit P/N: 104-8940

# Kit Contents

---

**Kit Contents:**

- (1) Preassembled Wall Bracket
- (1) Lock & Key

**Wall Mount Hardware Package:**

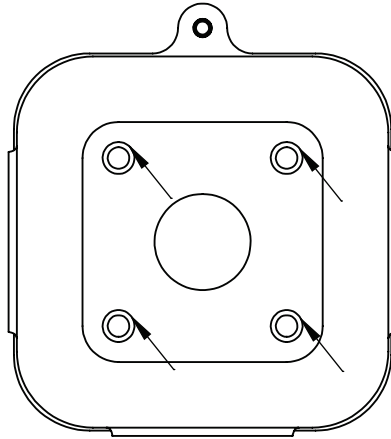
- (4) Flat Head Screws
- (4) Drywall Anchors

## Wall Mount Instructions

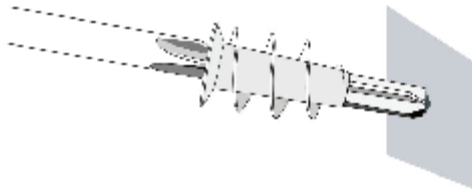
---

**Step 1**    Determine Location: Select appropriate location on wall. Consider cable routing and length

**Step 2**    Mark Hole Positions: Hold Wall Bracket in position and mark 4 hole positions with pencil.

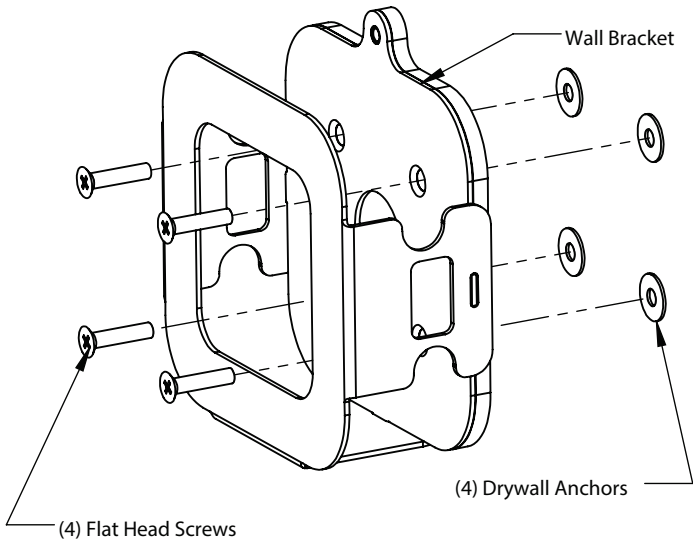


**Step 3**    Install Drywall Anchor: Install one Drywall Anchor at each hole mark. Using a #2 Phillips head screwdriver press the anchor into the drywall while turning clockwise until it is seated flush with the wall.

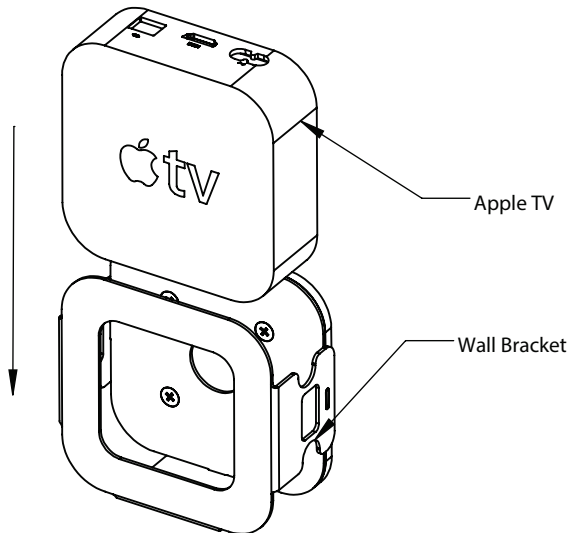


# Wall Mount Instructions

Step 4 **Install Wall Bracket:** Install Wall Bracket to the wall using the 4 Flat Head Screws as shown below.



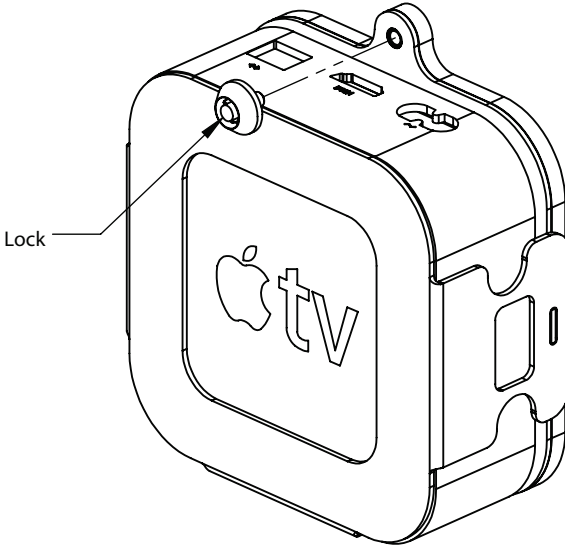
Step 5 **Install Apple TV:** Slide the Apple TV into the Wall Bracket. Consider cable management when placing your TV.



# Wall Mount Instructions

---

Step 6 Lock Wall Mount: Install Lock by screwing into the Secure Mount as shown below. Align the protrusion on the Lock with the slot in the Wall Bracket then tighten completely with the key.



**Warranty Statement**

Innovation First, Inc. warrants our products against defects in material and workmanship for a period of one (1) year from the date of purchase. Innovation First, Inc. liability shall be limited to repairing or replacing, at our option, any defective product.