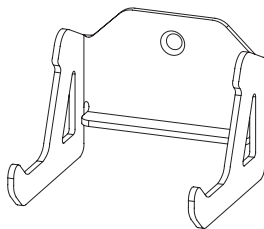
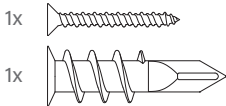
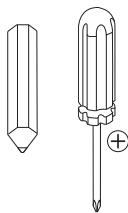


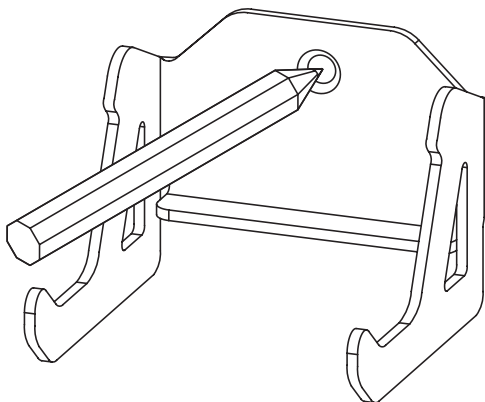
Elite Controller Wall Mount

Mounting Instructions

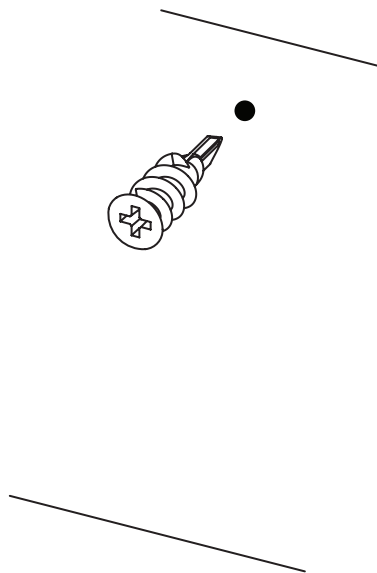
You will need:



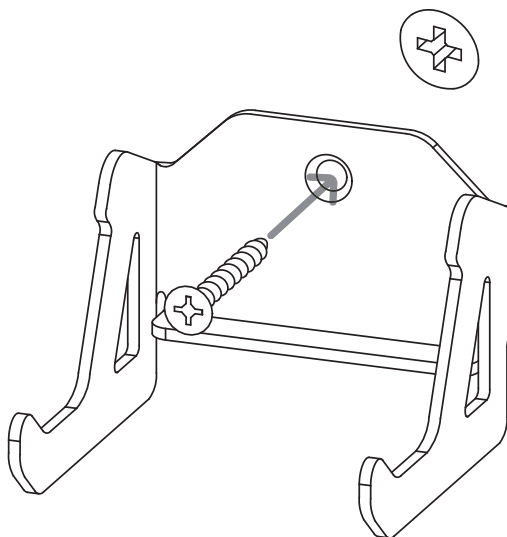
1. Mark spots for wall anchors



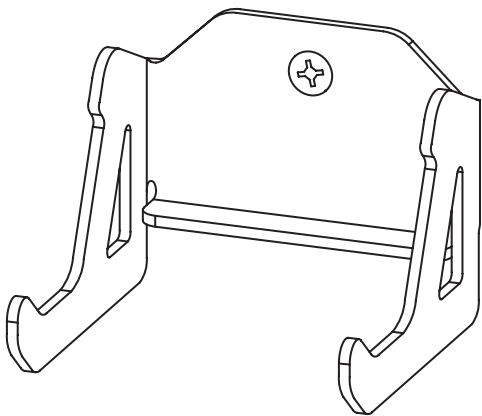
2. Install wall anchor to wall



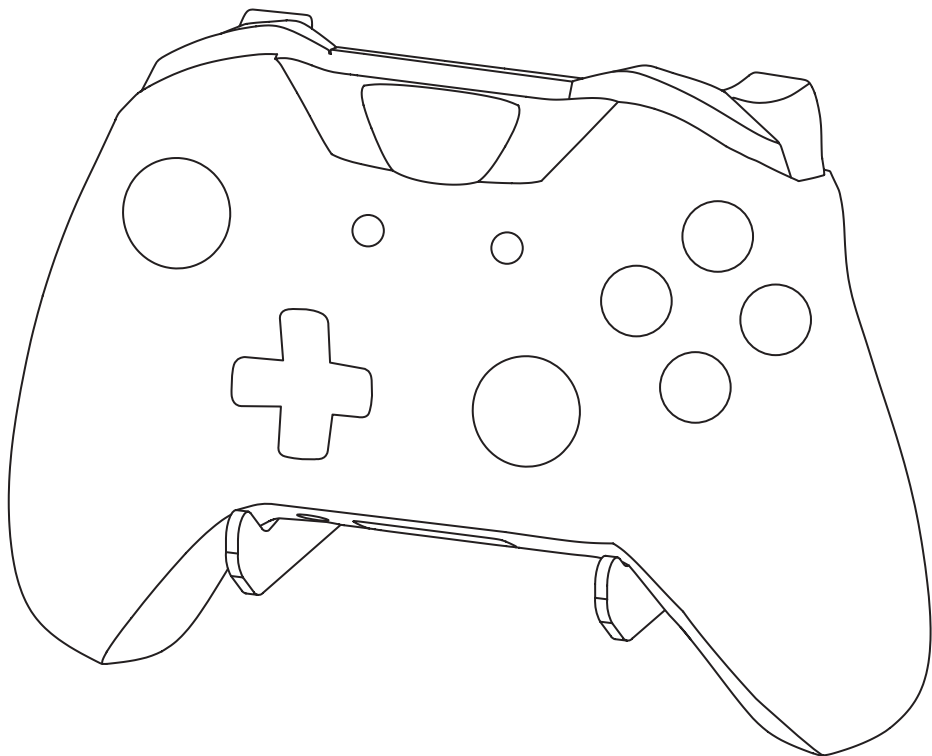
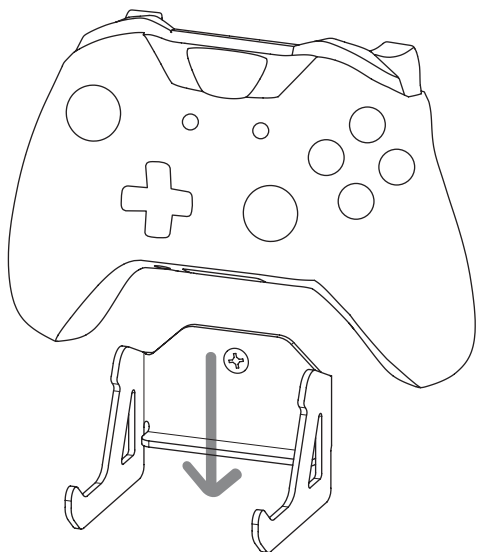
3. Thread screw through the mount & into the wall anchor



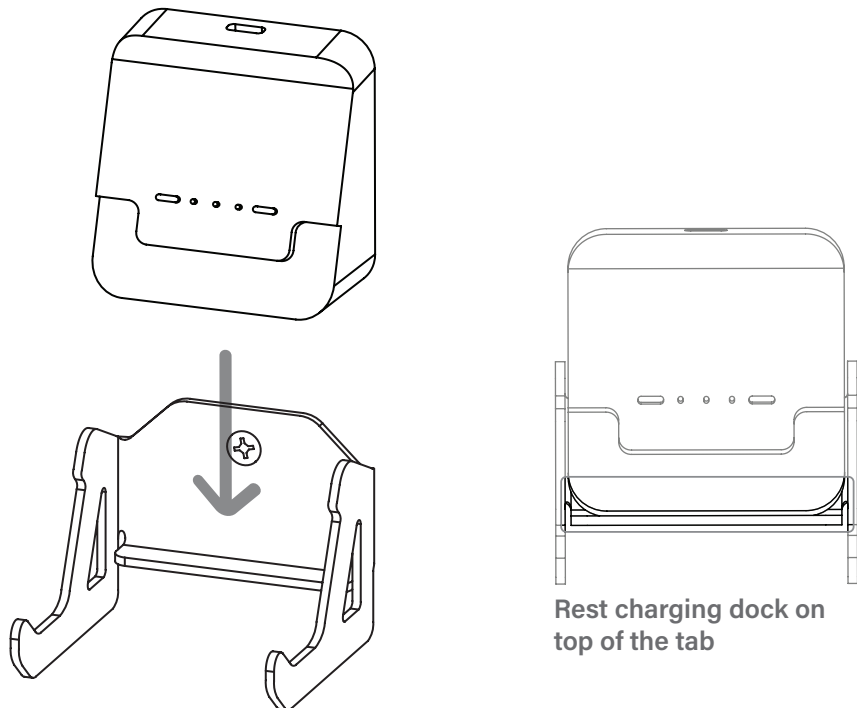
4. Ensure that mount is secure
If using with Xbox Elite Wireless Controller Series 2 and Charging Dock skip to step 6



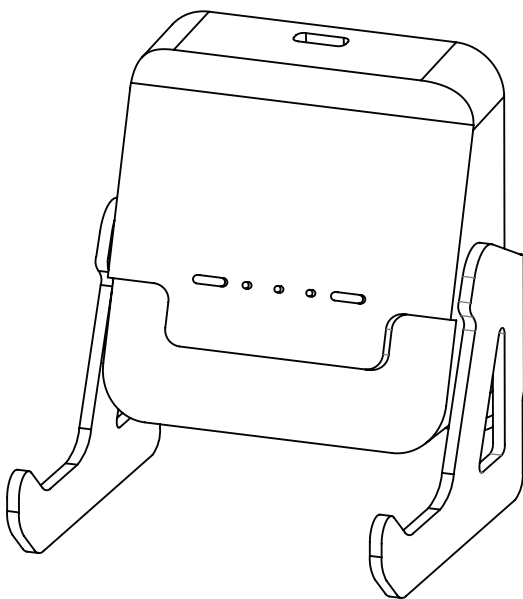
5. Slide controller into wall mount



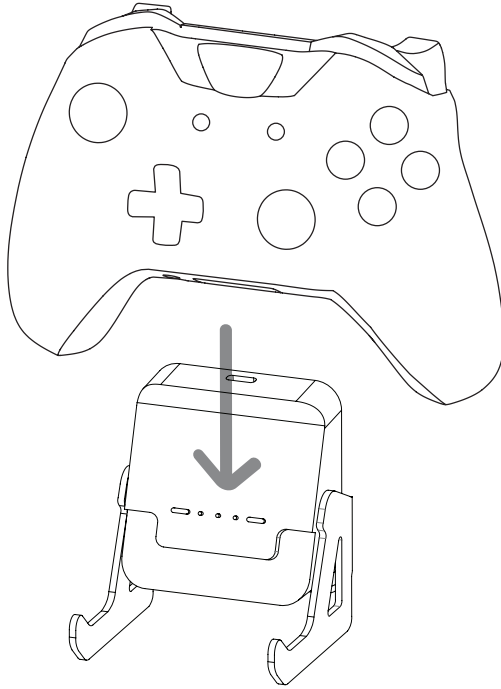
6. Slide charging dock inside of controller mount



7. Magnets within the charging dock will help keep it in place



8. Rest controller on top of charging dock



Scan this QR code
for more details

