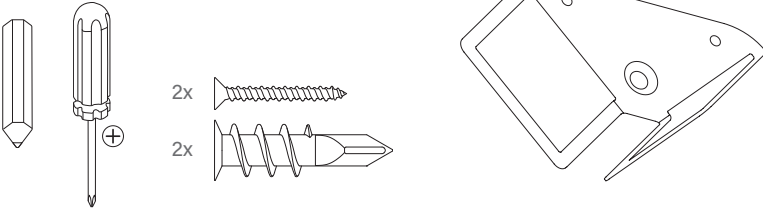


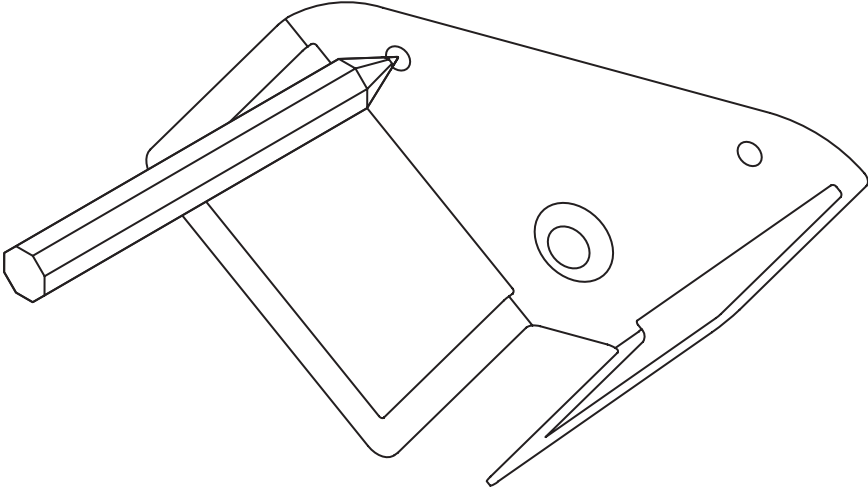
Xbox Series S Wall Mount

Mounting Instructions

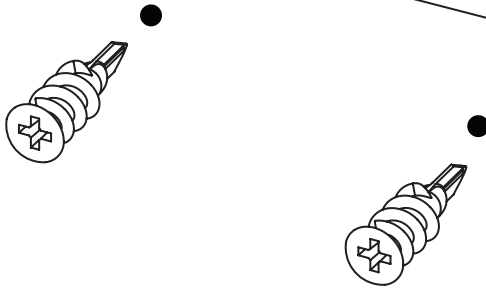
You will need:



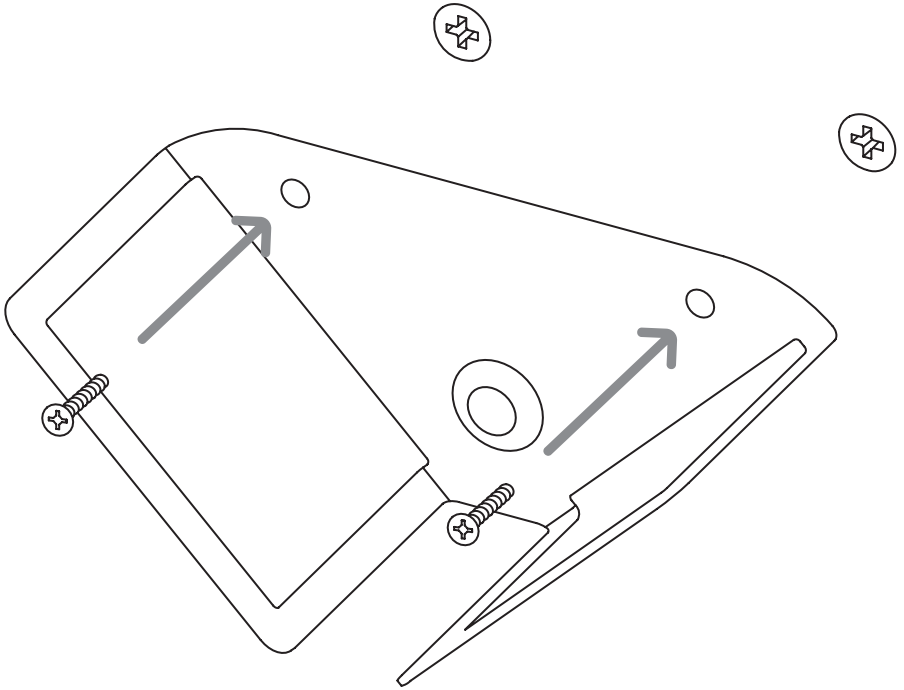
1. Mark spots for wall anchors



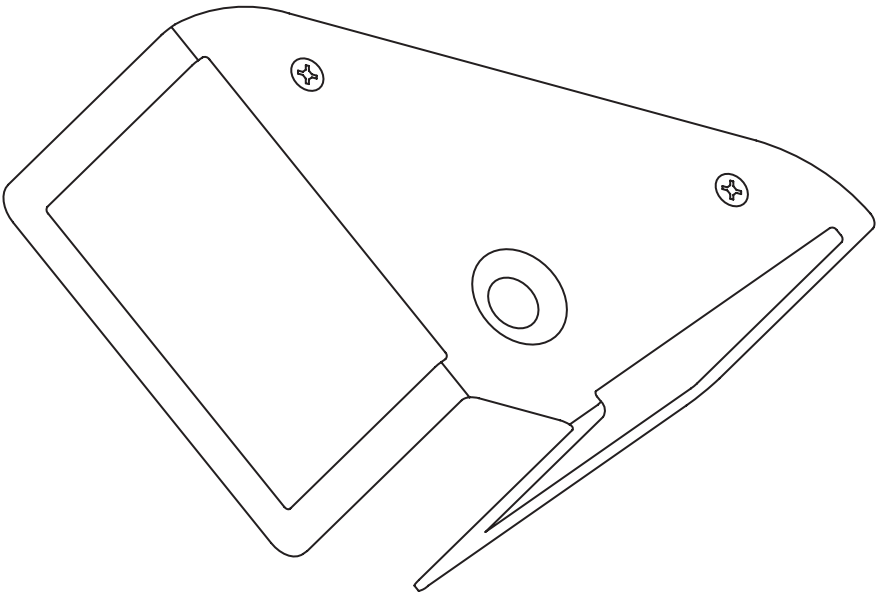
2. Install wall anchors to wall



3. Thread screw through the mount & into the wall anchor

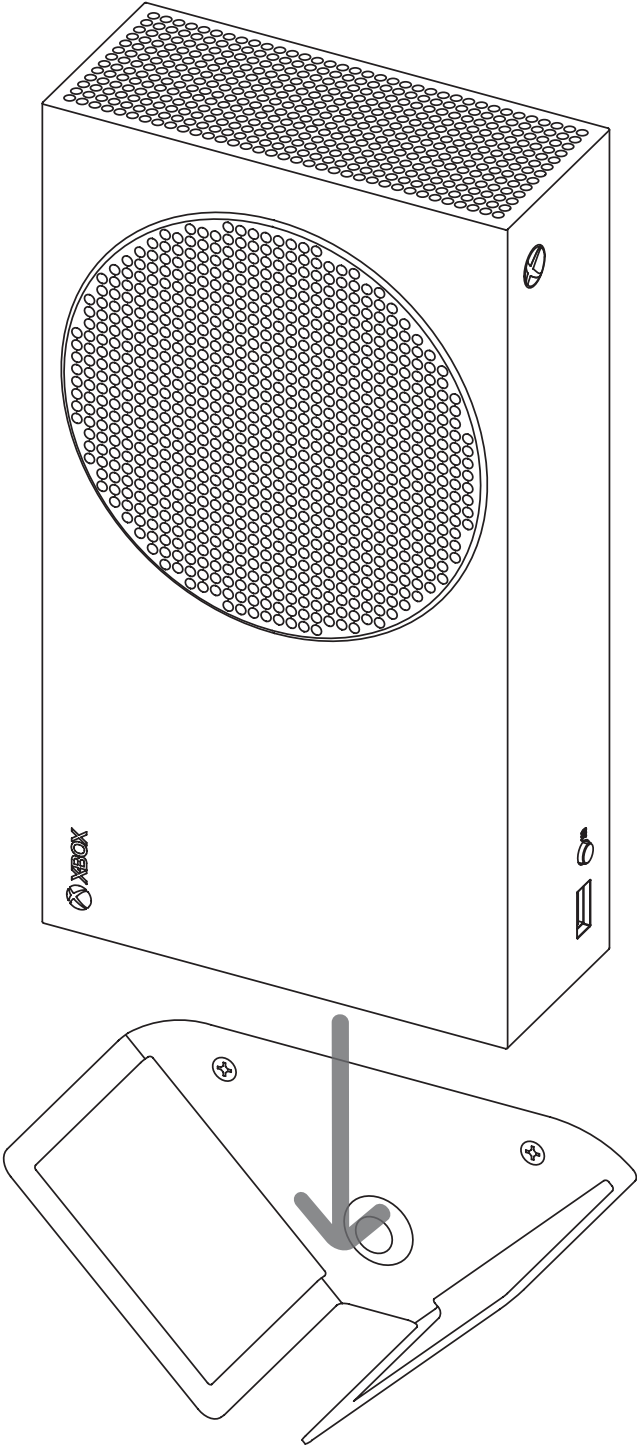


4. Ensure that mount is secure



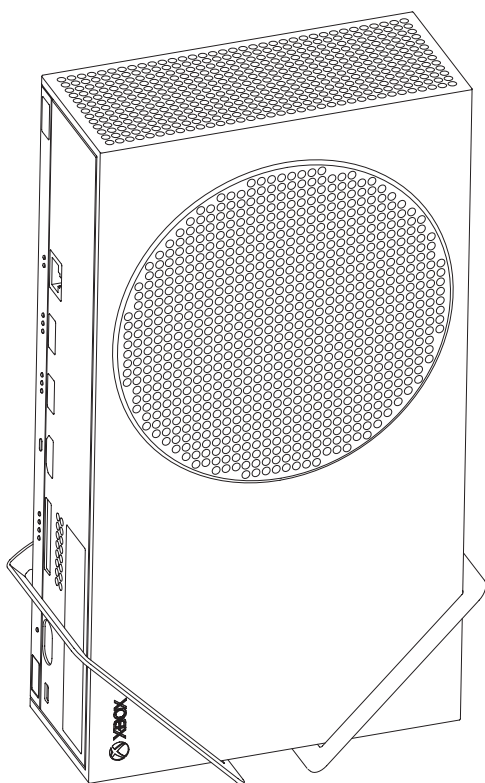
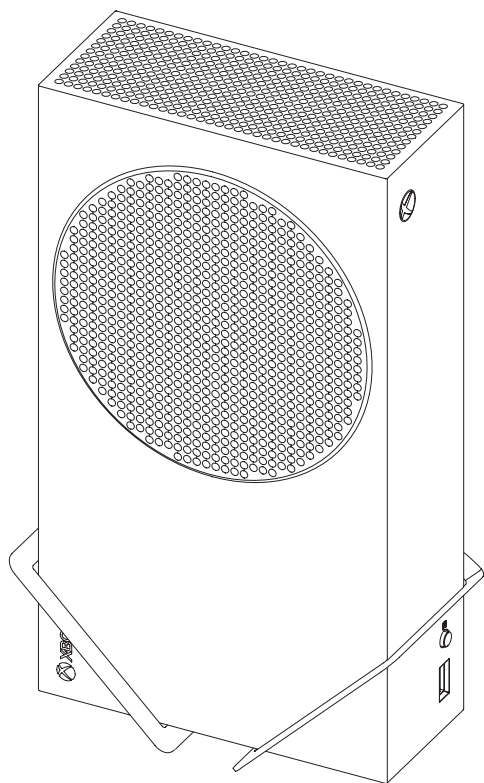
5. Slide Xbox Series S into wall mount

Warning - improper installation may result in damage to the enroll button





Scan this QR code
for more details and
further installation
instructions



by RackSolutions

104-7825-900 Rev1

Microsoft, Xbox, Xbox Elite Wireless Controller Series 2 are trademarks of the Microsoft group of companies. All other trademarks are the property of their respective owners.

⚠️ WARNING:
CHOKING HAZARD - Small parts.
Not for children under 3 years.