



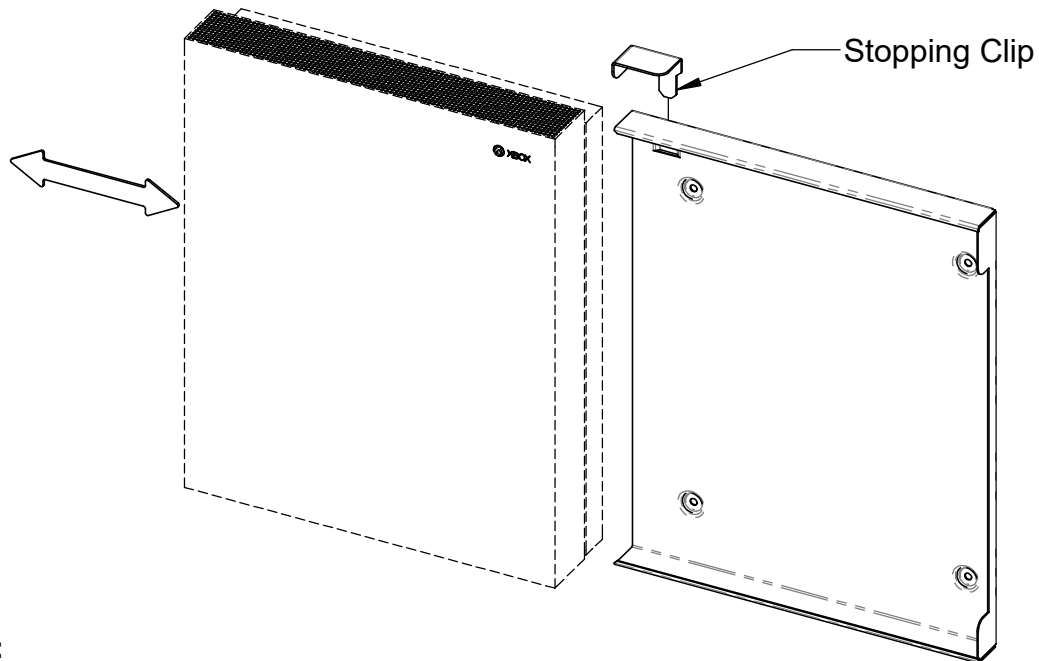
FORZA DESIGNS™

Installation Instructions Xbox™ One X

Kit Contents:	Hardware
(1) Wall Mount	(4) #6 x 1.00in Screws
(1) Stopping Clip	(4) Wall Anchors

Installation Instructions

1. Find out where you want to mount your console, hold your mount against the wall, and then mark dots where the screw holes are located.
2. Drill holes into the wall where the dots are marked and place the anchors in these holes.
3. Hold your wall mount over the anchor holes and twist in the four screws.
4. Slide your console in the mount according to the diagram below. Make sure your disc drive faces upward and your cable ports face toward the closed-off side of the wall mount.
5. Attach the stopping clip through the hole in the top part of the mount to lock your console into place, as seen in the diagram below. The stopping clip can easily be removed if you need to take your console out of the wall mount.



Time Required:
5-10 Minutes

- Tools Needed:**
- Drill with 5/16" drill bit
 - Phillips-head screwdriver
 - Pencil

Disclosure:

Always consult a professional if unsure about how to install properly.
Forza Designs cannot be held liable for any accidents incurred from improperly installing the wall mount.