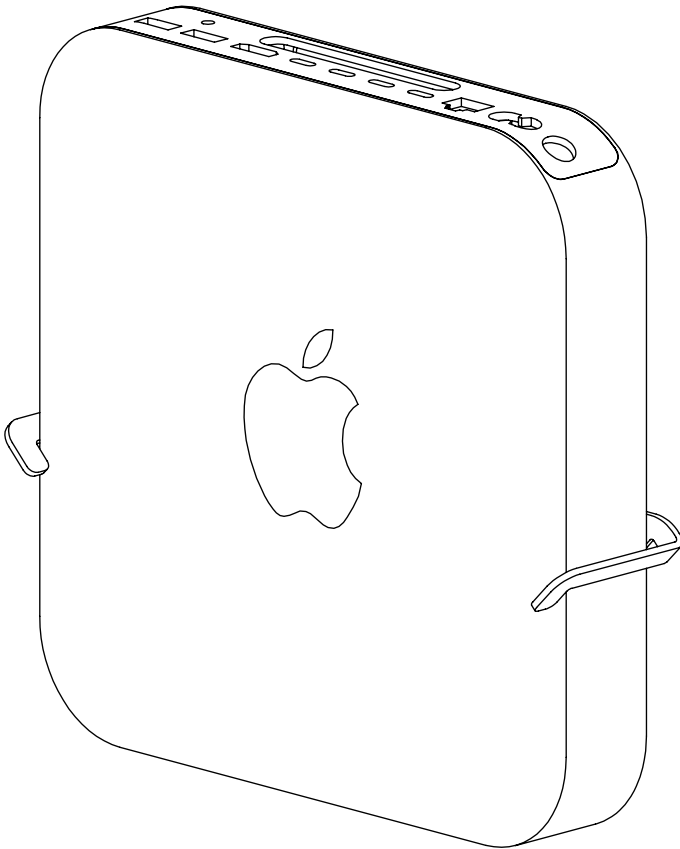


Mac Mini Mount



Installation Instructions

Kit P/N: 104-6766

Kit Contents

Kit Contents:

(1) Mounting Bracket

Wall Mounting Hardware:

(2) Flat Head Wall Screws

(2) Drywall Anchors

VESA Mounting Hardware:

(2) M4 10mm Flat Head Screws

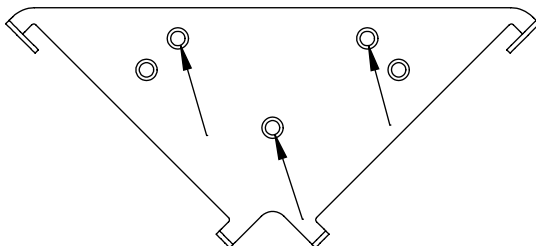
(2) M4 20mm Flat Head Screws

(2) Spacers

Wall Mounting Instructions

Step 1 Determine Location: Select appropriate location on wall. Consider cable routing and length

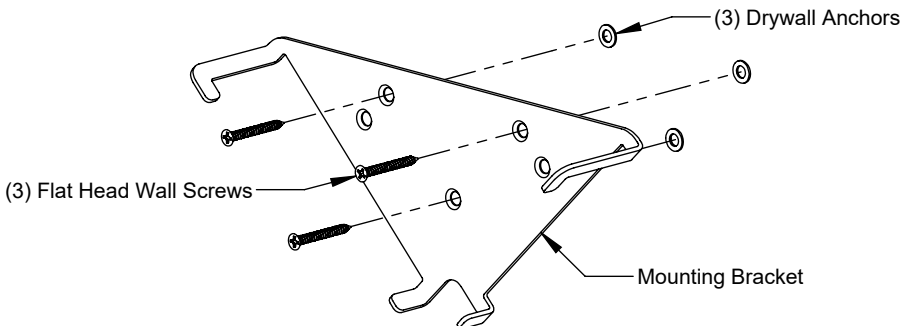
Step 2 Mark Hole Positions: Hold Mounting Bracket in position and mark three hole positions with pencil.



Step 3 Install Drywall Anchor: Install one Drywall Anchor at each hole mark. Using a #2 Phillips head screwdriver, press the anchor into the drywall while turning clockwise until it is seated flush with the wall.

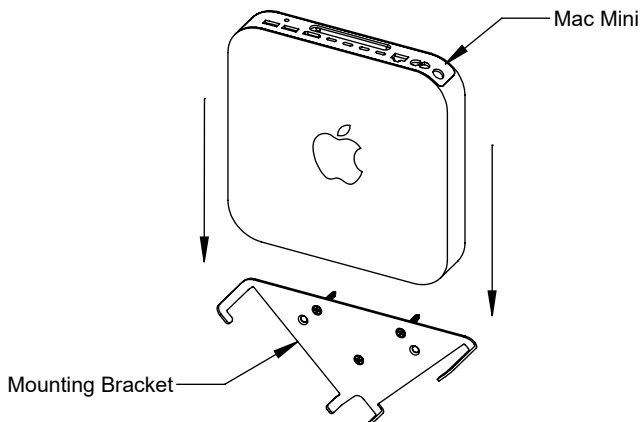


Step 4 Install Mounting Bracket: Install Mounting Bracket to the wall using the (3) Flat Head Wall Screws as shown below.



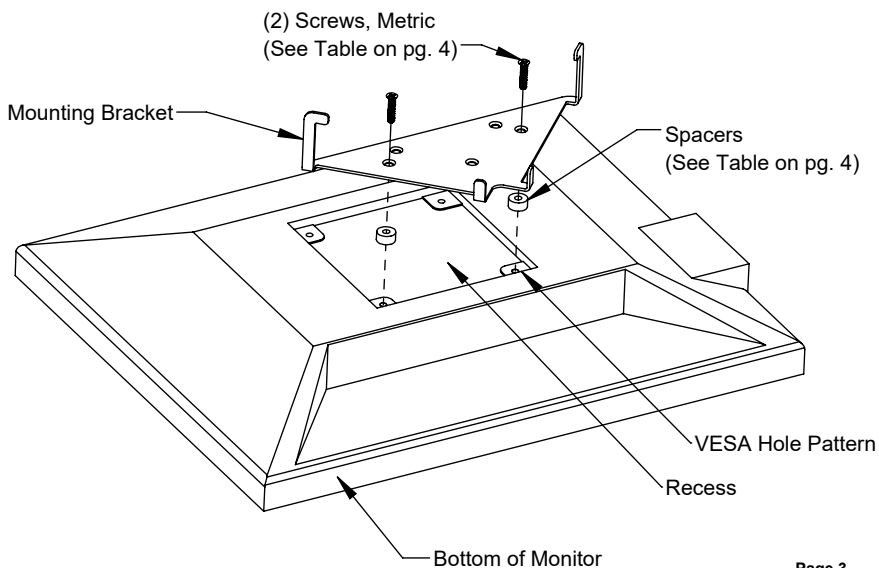
Wall Mounting Instructions

- Step 5** Install Equipment: Slide the Mac Mini down into the Mounting Bracket. The Mac Mini can be mounted with the ports facing up or down. Consider cable management when placing the Mac Mini into the bracket.



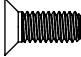


VESA Mounting Instructions

- Step 1** Position Monitor: Turn the monitor face down on a large flat surface. Locate the VESA mounting holes on the rear of the monitor.
- Determine if spacers are required: Some monitors have a "recess" on the rear of the monitor. Spacers are provided to fill this gap. See Table A on page 4 for spacer length options.
 - Determine Screw Length: Only use the metric M4 screws provided. The screw length is determined by the spacers used (see Table A on page 4).

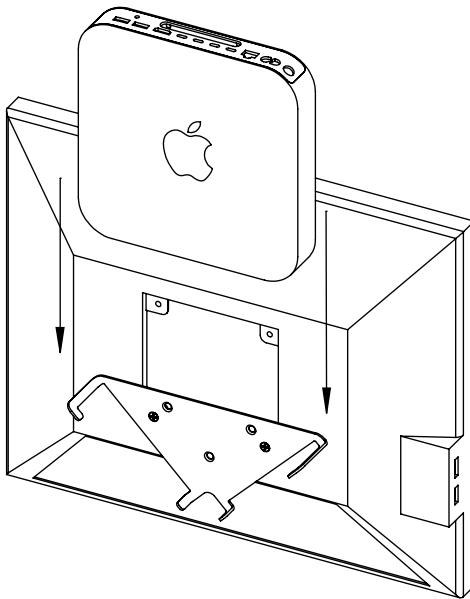


VESA Mounting Instructions

Table A

Recess Depth	Spacer	Screw
0	No Spacer Needed	 10mm
.250 (1/4)		 20mm

Step 2 Install Equipment: Slide Mac Mini into mount as shown. The Mac Mini can be mounted with the ports facing up or down. Consider cable management when placing the Mac Mini into the bracket.



Warranty Statement

Innovation First, Inc. warrants our products against defects in material and workmanship for a period of one (1) year from the date of purchase. Innovation First, Inc. liability shall be limited to repairing or replacing, at our option, any defective product.