



Boldly Creative



Expert Customer Service

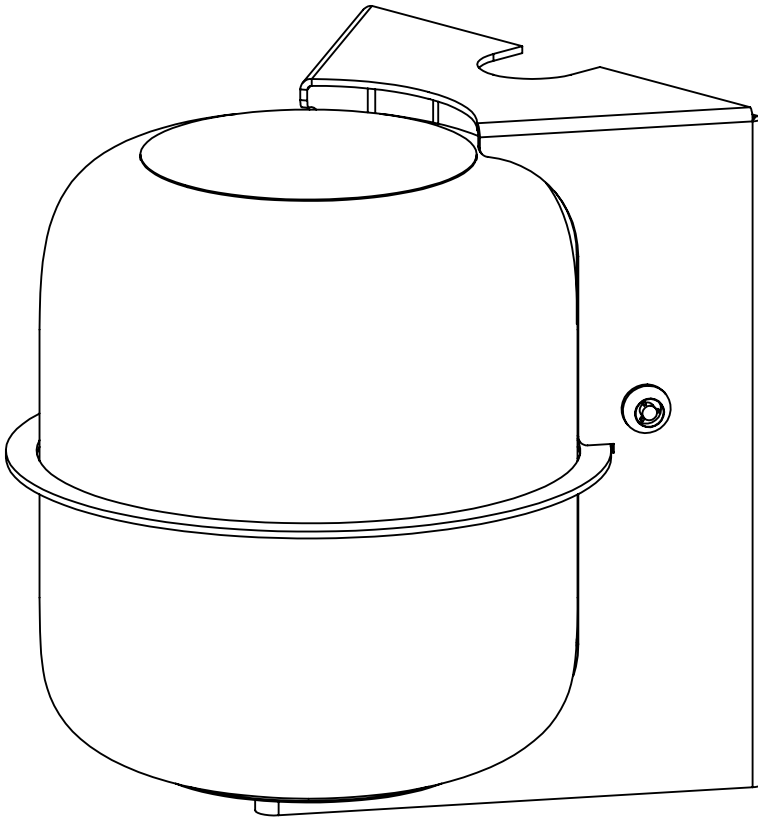


Focus On Quality



Ships Same Day

Secure HomePod Mount Instructions



Installation Instructions

Kit P/N: 104-6571

Kit Contents

Kit Contents:

- (1) Secure Mount
- (1) Security Ring
- (1) Lock
- (2) Keys

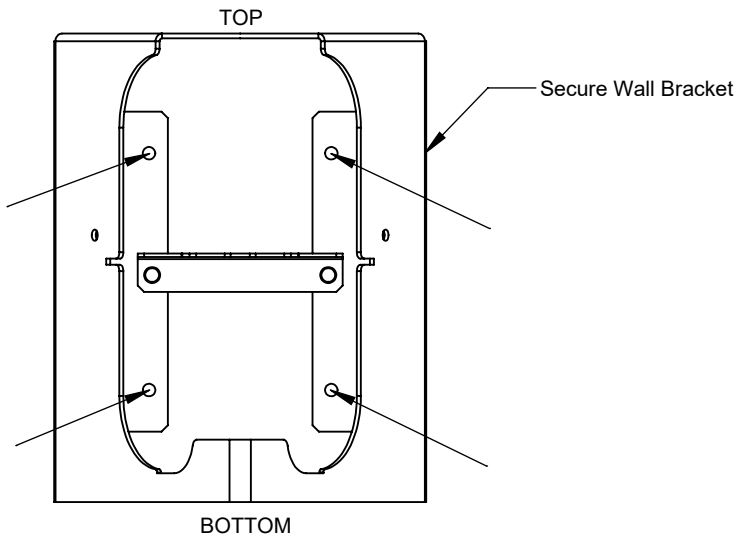
Mounting Hardware:

- (4) Dry Wall Anchors
- (4) Pan Head Anchoring Screws

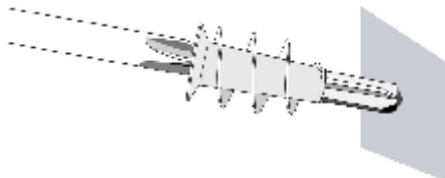
Apple HomePod Secure Mount Installation Instructions

Step 1 Determine Location: Select appropriate location on wall. Consider cable routing and length.

Step 2 Mark Hole Positions: Hold Secure Wall Bracket in position and mark the 4 hole positions shown below with pencil.

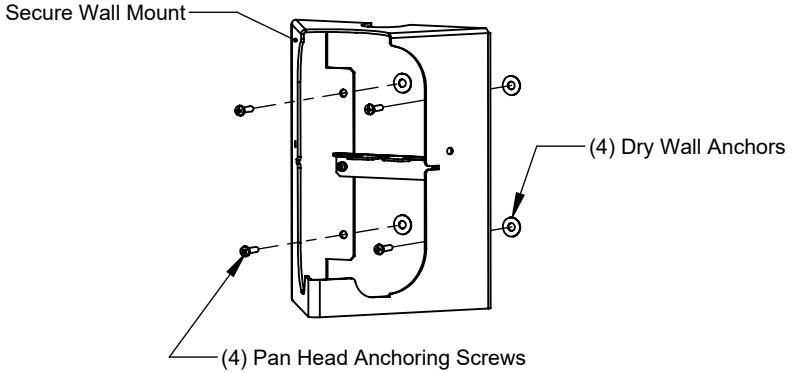


Step 3 Install Drywall Anchor: Install one Drywall Anchor at each hole mark. Using a #2 Phillips head screwdriver, press the anchor into the drywall while turning clockwise until it is seated flush with the wall.

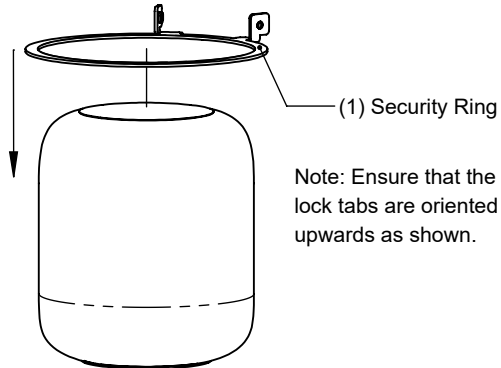


Apple HomePod Secure Mount Installation Instructions

Step 4 Install Secure Wall Mount: Install the Secure Wall Mount to the wall using the (4) Pan Head Anchoring Screws as shown below.

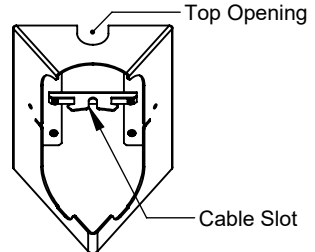
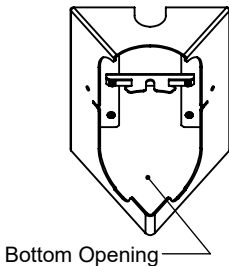


Step 5 Install Security Ring: Slide the Security Ring over the Home Pod, lower than the halfway point.



Step 6 Power Cable Routing:
A) Bottom Routing: Pull HomePod power cable through the bottom opening.

B) Top Routing: Pull HomePod power cable through the top opening. Ensure the cable runs through the cable slot to avoid pinching the cable.

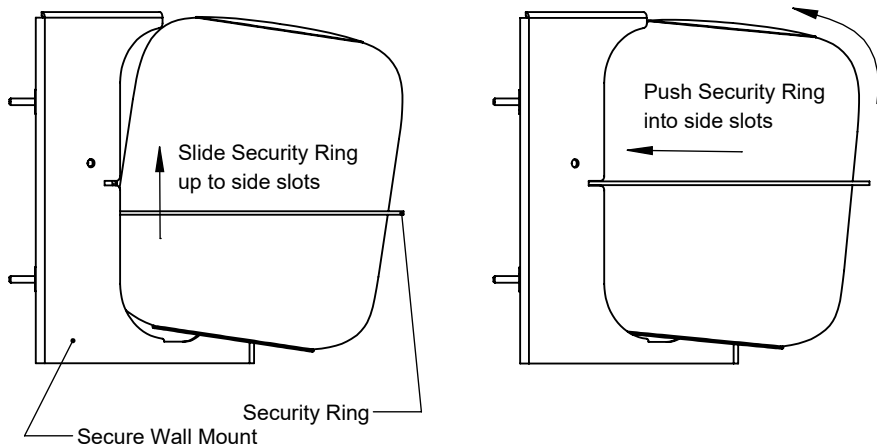


Continue to step 7 on the next page.



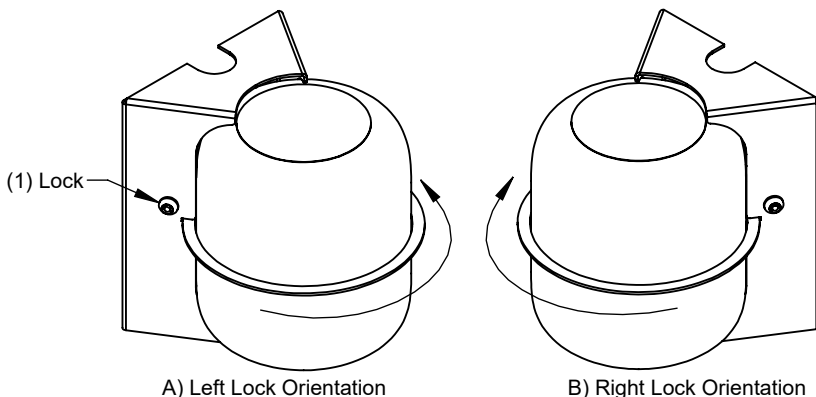
Apple HomePod Secure Mount Installation Instructions

Step 7 Install HomePod: With the HomePod tilted slightly, place the base of the HomePod on the Secure Wall Mount as shown. Ensure that the Security Ring is lined up with the inside Security Bracket and that the ring is tilted below the inside Security Bracket. Tilt HomePod into the slot as shown.



Note: Security ring **MUST** be below the inside Security Bracket to be secure.

Step 8 Secure HomePod: Turn Security Ring to the desired locked position. Secure the ring with the provided Lock and Key.



Warranty Statement

Innovation First, Inc. warrants our products against defects in material and workmanship for a period of one (1) year from the date of purchase. Innovation First, Inc. liability shall be limited to repairing or replacing, at our option, any defective product.