



Boldly Creative



Expert Customer Service

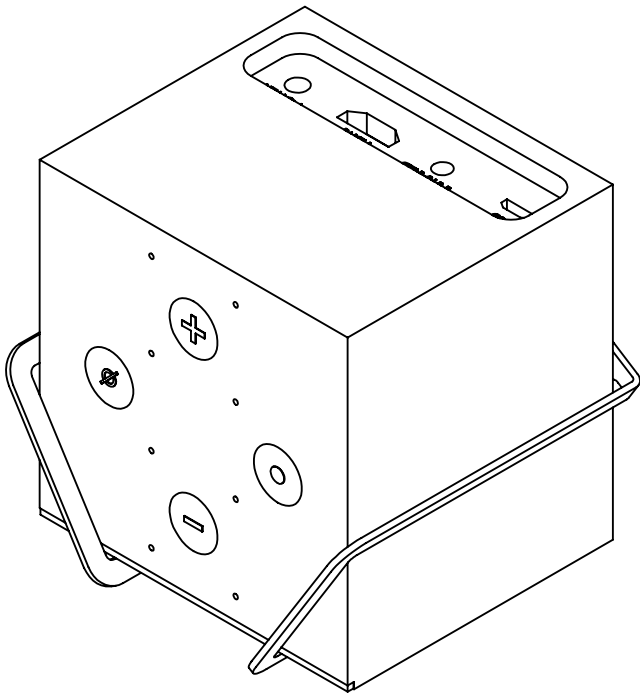


Focus On Quality



Ships Same Day

Fire TV Cube Wall Mount



Installation Instructions

Kit P/N: 104-6474

Kit Contents

Kit Contents:

(1) Wall Bracket

Wall Mount Hardware Package:

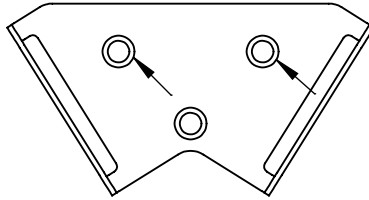
(2) Flat Head Screws

(2) Drywall Anchors

Wall Mount Instructions

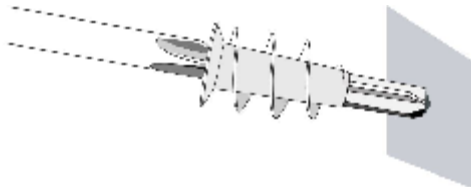
Step 1 Determine Location: Select appropriate location on wall. Consider cable routing and length

Step 2 Mark Hole Positions: Hold Wall Bracket in position and mark two hole positions with pencil.



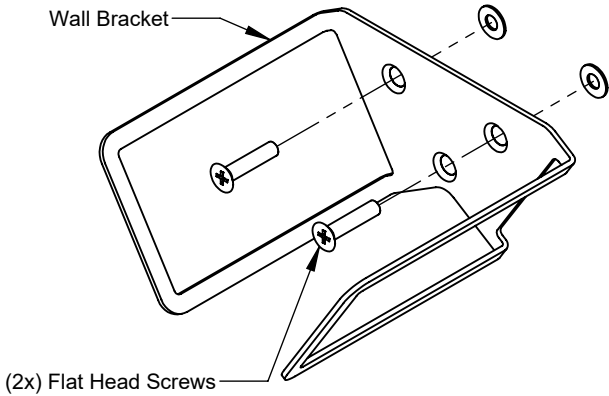
Step 3 Install Drywall Anchor: Install one Drywall Anchor at each hole mark. Using a #2 Phillips head screwdriver, press the anchor into the drywall while turning clockwise until it is seated flush with the wall.

Note: Two small general purpose 3M Command Strips may be used in place of screws for mounting.

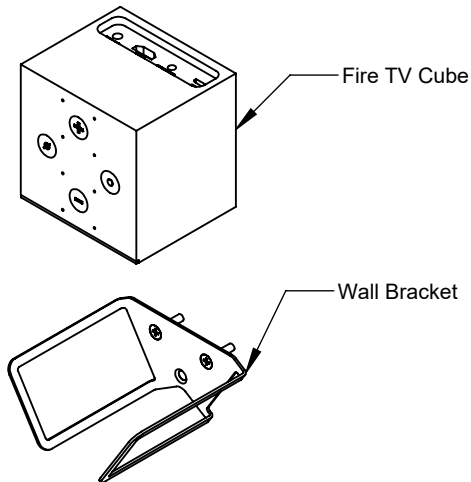


Wall Mount Instructions

Step 4 Install Wall Bracket: Install Wall Bracket to the wall using the (2) Flat Head Screws as shown below.



Step 5 Install Fire TV Cube: Slide the Fire TV Cube down into the Wall Bracket. The Fire TV Cube can be mounted with the ports facing up or down. Consider cable management when placing the Fire TV Cube into the bracket.





Boldly Creative



Expert Customer Service



Focus On Quality



Ships Same Day

This page is intentionally left blank.

Warranty Statement

Innovation First, Inc. warrants our products against defects in material and workmanship for a period of one (1) year from the date of purchase. Innovation First, Inc. liability shall be limited to repairing or replacing, at our option, any defective product.

6474