



*Boldly Creative*



*Expert Customer Service*

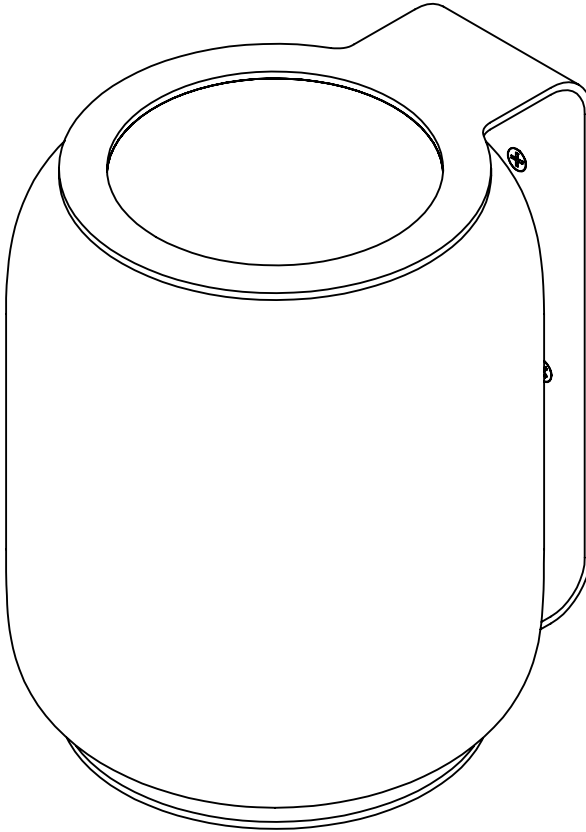


*Focus On Quality*



*Ships Same Day*

## Apple HomePod Mount



Installation Instructions

Kit P/N: 104-6241

# Kit Contents

---

## Kit Contents:

(1) Wall Bracket

## Mounting Hardware:

(3) Flat Head Screws

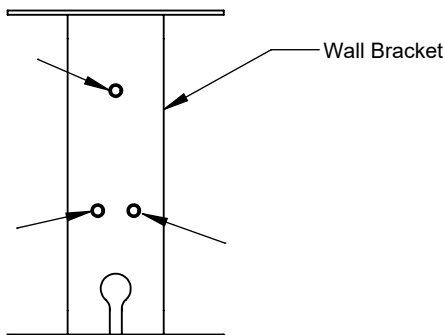
(3) Dry Wall Anchors

# Apple HomePod Mount Installation Instructions

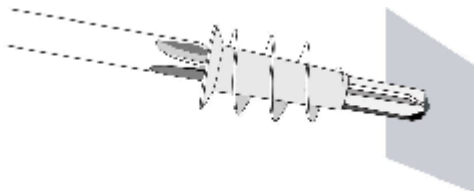
---

**Step 1** Determine Location: Select appropriate location on wall. Consider cable routing and length.

**Step 2** Mark Hole Positions: Hold Wall Bracket in position and mark the 3 hole positions shown below with pencil.

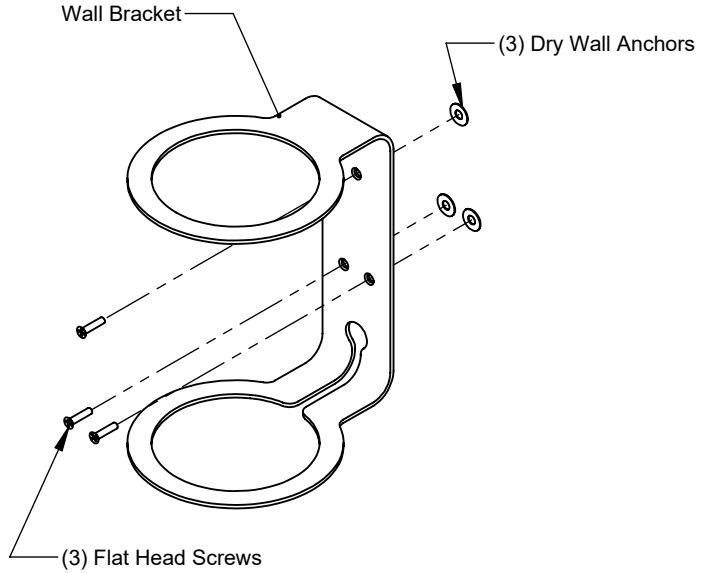


**Step 3** Install Drywall Anchor: Install one Drywall Anchor at each hole mark. Using a #2 Phillips head screwdriver press the anchor into the drywall while turning clockwise until it is seated flush with the wall.

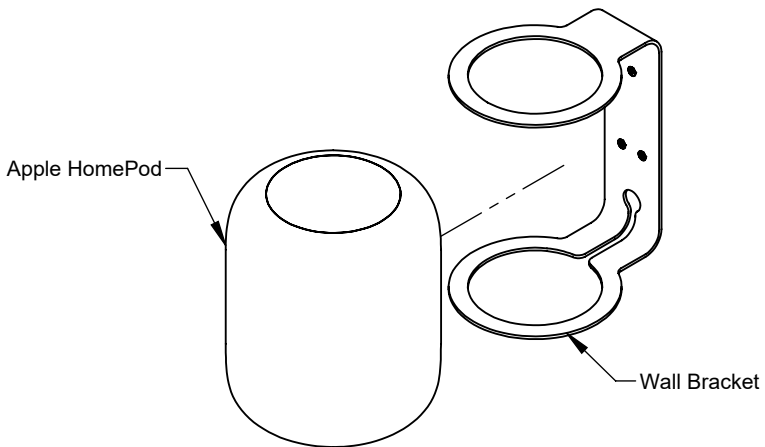


# Apple HomePod Mount Installation Instructions

**Step 4** Install Wall Bracket: Install the Wall Bracket to the wall using the 3 Flat Head Screws as shown below.



**Step 5** Install the Wall Bracket: Place the cord through the bottom hole in the mount. Slide the Homepod into the mount, letting the cord fall through the back slot.





*Boldly Creative*



*Expert Customer Service*



*Focus On Quality*



*Ships Same Day*

**Warranty Statement**

Innovation First, Inc. warrants our products against defects in material and workmanship for a period of one (1) year from the date of purchase. Innovation First, Inc. liability shall be limited to repairing or replacing, at our option, any defective product.

**6241**