



Boldly Creative



Expert Customer Service



Focus On Quality



Ships Same Day

Apple TV Wall Mount



Installation Instructions

Kit P/N: 104-6100

Kit Contents

Kit Contents:

- (1) Preassembled Wall Bracket
- (1) Lock & Key

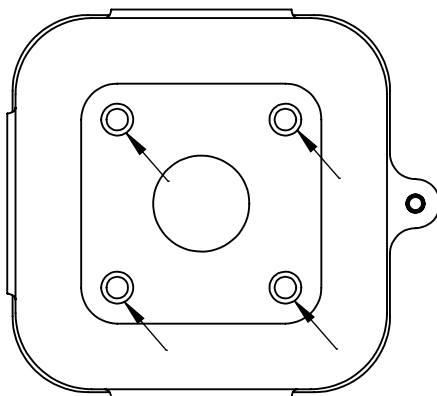
Wall Mount Hardware Package:

- (4) Flat Head Screws
- (4) Drywall Anchors

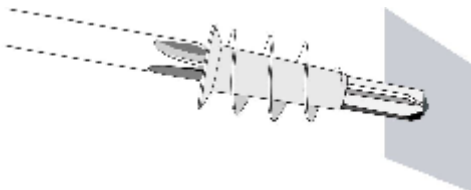
Wall Mount Instructions

Step 1 Determine Location: Select appropriate location on wall. Consider cable routing and length

Step 2 Mark Hole Positions: Hold Wall Bracket in position and mark 4 hole positions with pencil.

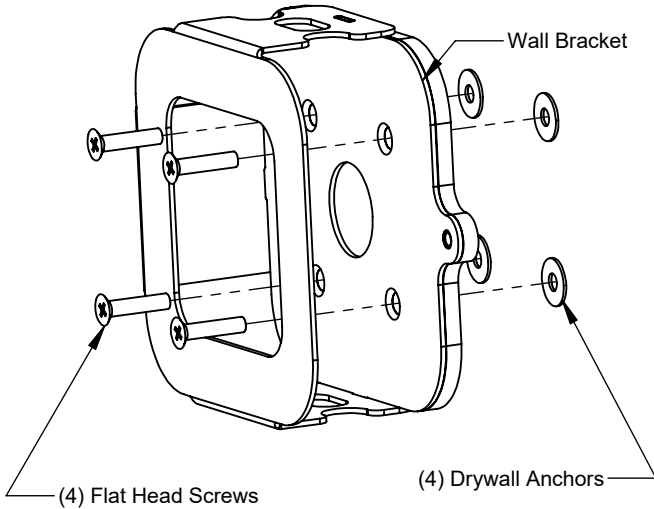


Step 3 Install Drywall Anchor: Install one Drywall Anchor at each hole mark. Using a #2 Phillips head screwdriver press the anchor into the drywall while turning clockwise until it is seated flush with the wall.

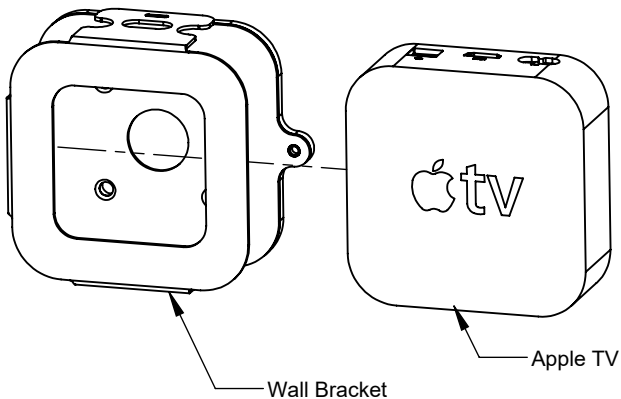


Wall Mount Instructions

Step 4 Install Wall Bracket: Install Wall Bracket to the wall using the 4 Flat Head Screws as shown below.



Step 5 Install Apple TV: Slide the Apple TV into the Wall Bracket. The Apple TV can be installed either upwards or downwards. Consider cable management when placing your TV.





Boldly Creative



Expert Customer Service



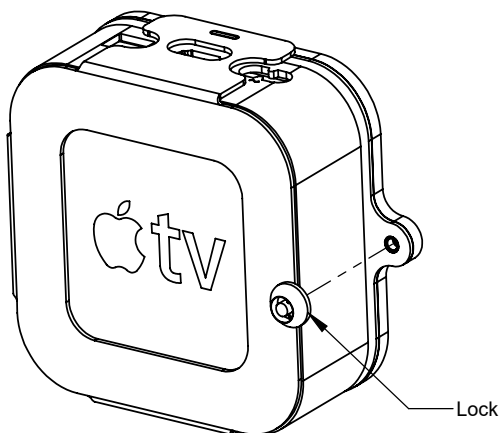
Focus On Quality



Ships Same Day

Wall Mount Instructions

- Step 6** Lock Wall Mount: Install Lock by screwing into the Secure Mount as shown below. Align the protrusion on the Lock with the slot in the Wall Bracket then tighten completely with the key.



Warranty Statement

Innovation First, Inc. warrants our products against defects in material and workmanship for a period of one (1) year from the date of purchase. Innovation First, Inc. liability shall be limited to repairing or replacing, at our option, any defective product.

6100