



*Boldly Creative*



*Expert Customer Service*



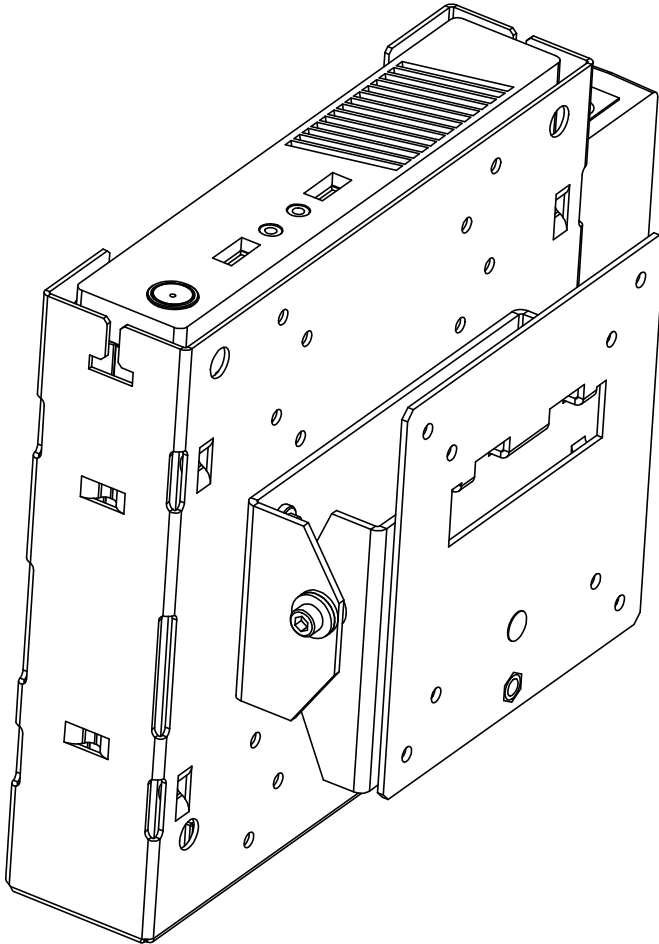
*Focus On Quality*



*Ships Same Day*

Patent(s) Pending

## Micro PC and Monitor Wall Mount



### Installation Instructions

Kit P/N: 104-5201    104-5740  
          104-5202    104-5806

# Kit Contents

---

## Assembly Components:

- (1) Mount Bracket
- (1) Tilt Monitor Bracket (104-5201 Only)
- (1) Hook and loop strap

## Wall Mount Hardware Package:

- (4) Drywall Anchors
- (4) 8-32 x 1.250 Pan Head Screws

## Tilt Monitor Bracket Hardware Package - (104-5201 Only):

- (4) 8-32 x 0.375 Pan Head Screws

## Fixed Monitor Mount Hardware Package:

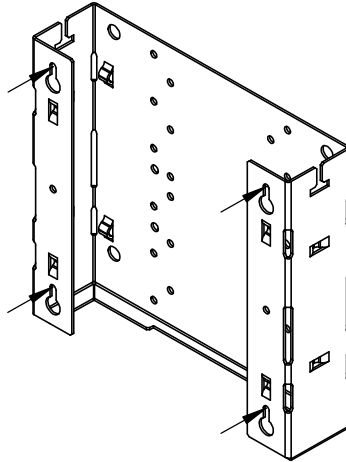
- (8) Spacers
- (4) M4 x 0.7 x 10mm Pan Head Screws
- (4) M4 x 0.7 x 18mm Pan Head Screws
- (4) M4 x 0.7 x 25mm Pan Head Screws

# PC Wall Mount Installation Instructions

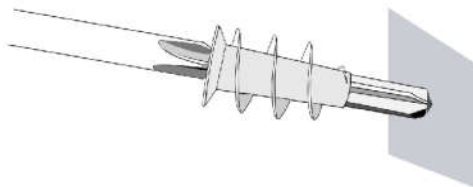
---

- Step 1.** Determine Location: Find a location to install the Mount. Consider cable routing and length. Select an appropriate installation method:
- A. Wall Mount: (see Steps 2-3b & 9-10)
  - B. Tilt Monitor Bracket: (see Steps 2-7 & 9-10)
  - C. Fixed Monitor Mount: (see Steps 2-3b & 8-10)

- Step 2.** Mark Hole Positions: Hold the base in position and mark 4 hole positions with a pencil.

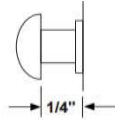


- Step 3a.** Install Drywall Anchor: Install one drywall anchor at each hole mark. Using a #2 Phillips head screwdriver, press the anchor into the drywall while turning clockwise until it is seated flush with the wall.

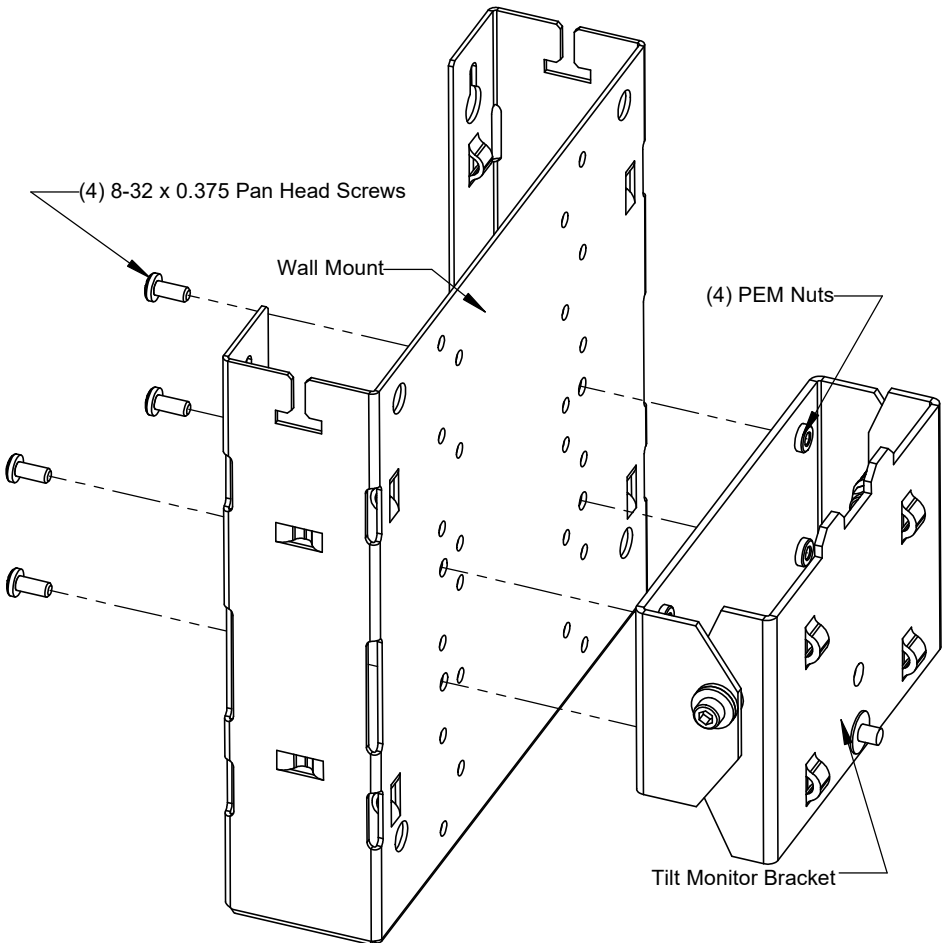


# Installation Instructions

**Step 3b. Install 4 Screws:** Install 1.250" Pan Head Screws to be seated on top of anchor. Leave approximately 1/4" of each screw protruding out of the wall.

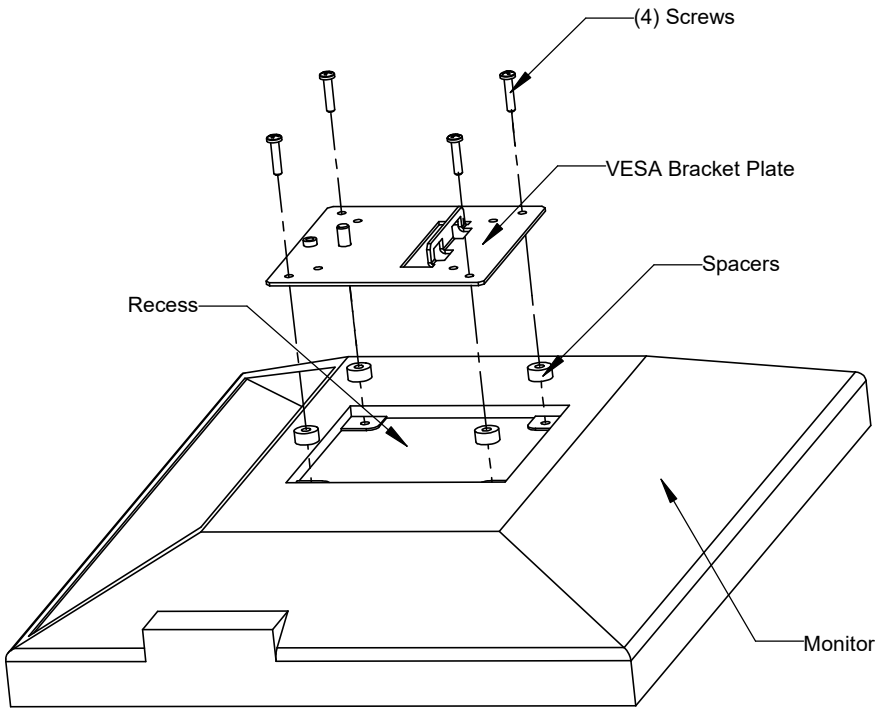


**Step 4. Tilt Monitor Bracket Attachment:** Insert 0.375" Pan Head Screws through the four mounting holes on the Wall Mount (as shown below). Locate the PEM Nuts on the inner side of the Tilt Monitor Bracket. Fasten the Pan Head Screws to the PEM Nuts.



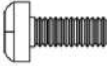


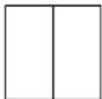

# Installation Instructions

- Step 5.** Choosing spacers/screws sizes: Turn the monitor face down on a large flat surface. Locate the four VESA mounting holes on the rear of the monitor.
- Determine if spacers are required: Some monitors have a "recess" on the rear surface. Spacers are provided to fill this gap. See Table A for spacer length options.
  - Determine Screw Length: Only use the metric M4 screws provided. Screw length is determined by the spacers used (see Table A).
- Step 6.** VESA Bracket Plate/Monitor Attachment: Locate the VESA Bracket Plate. Insert (4) appropriate screws (Step 5) into the outer holes. Install the screws to the four VESA mounting holes.



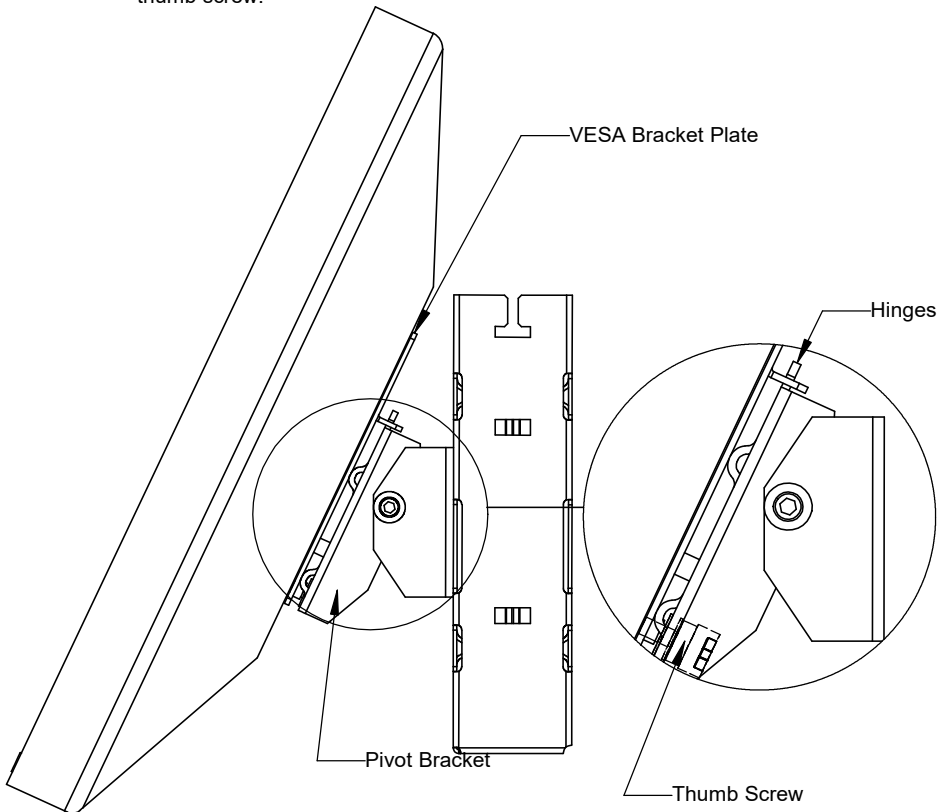
# Installation Instructions

Table A

Recess Depth	Spacer	Screw
0	No Spacer Needed	 10mm
.250 (1/4)		 18mm
.500 (1/2)		 25mm

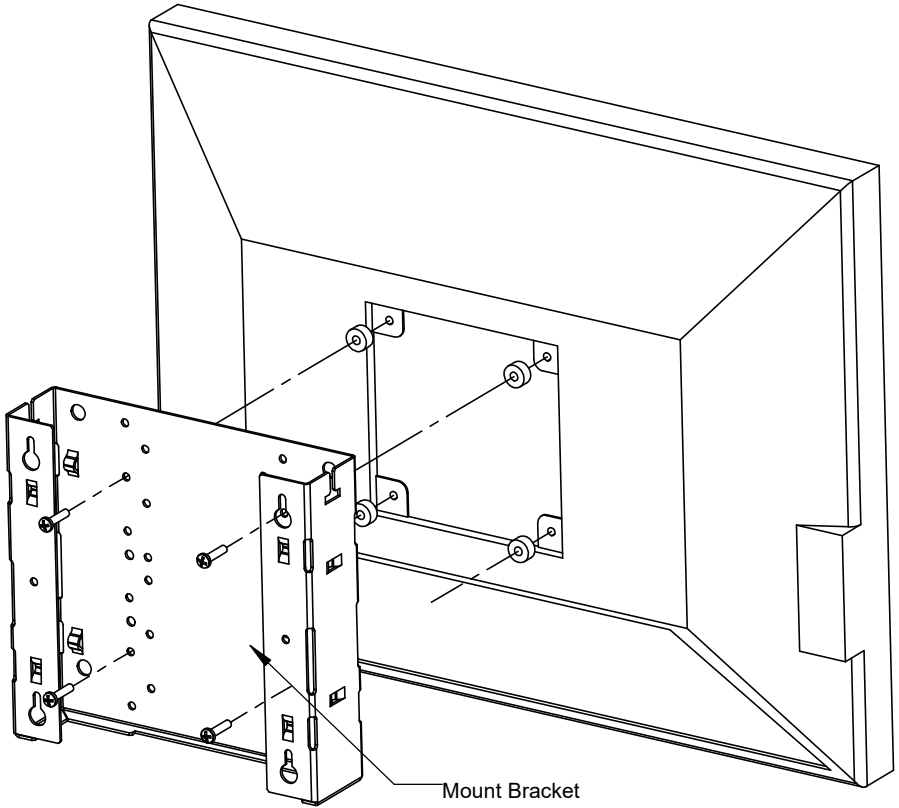
Screws and Spacers are Shown to Scale

**Step 7.** VESA Bracket Plate/Pivot Bracket Attachment: Clip the VESA Bracket Plate to the Pivot Bracket using the hinges (refer to the picture below). Secure by tightening thumb screw.

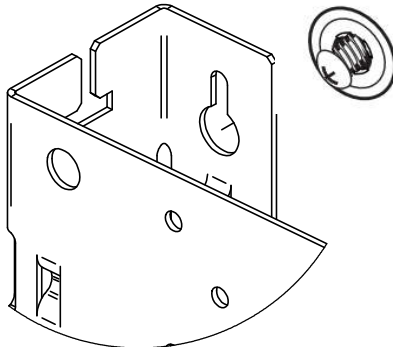


# Installation Instructions

**Step 8.** Fixed Monitor Mount Attachment: Locate the outer holes (refer to the picture below) on the Mount Bracket and align with the appropriate screws (see Step 5 & Table A). Install the screws to the rear of the Monitor. Use spacers if necessary.

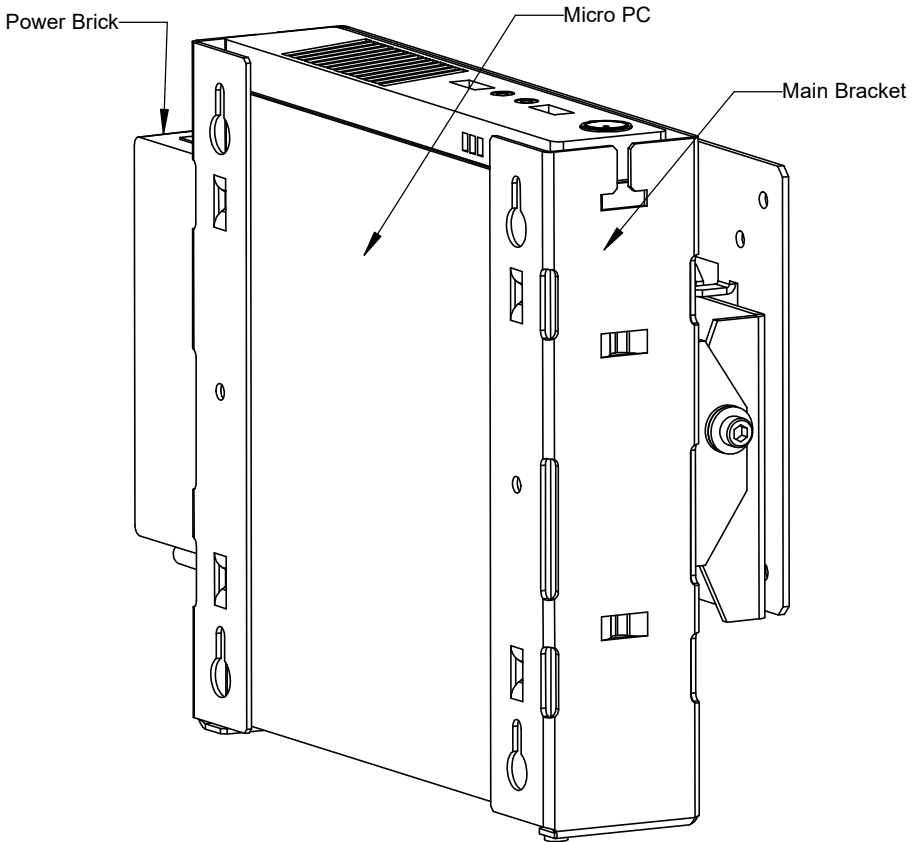


**Step 9.** Attach Mount Bracket: Attach the mount to the wall using the 4 screws that were installed in 3b. Secure by tightening screws.



# Installation Instructions

**Step 10. Micro PC Attachment:** Slide the Micro PC into the Main Bracket from the top opening. The power brick can be secured to either side of the mount using the hook and loop strap.



**NOTE:** Optional locking mechanism P/N 101-5205 available at [RackSolutions.com](http://RackSolutions.com)



*Boldly Creative*



*Expert Customer Service*



*Focus On Quality*



*Ships Same Day*

**Warranty Statement**

Innovation First, Inc. warrants our products against defects in material and workmanship for a period of one (1) year from the date of purchase. Innovation First, Inc. liability shall be limited to repairing or replacing, at our option, any defective product.

**5201 5202 5740 5806**