



Boldly Creative



Expert Customer Service

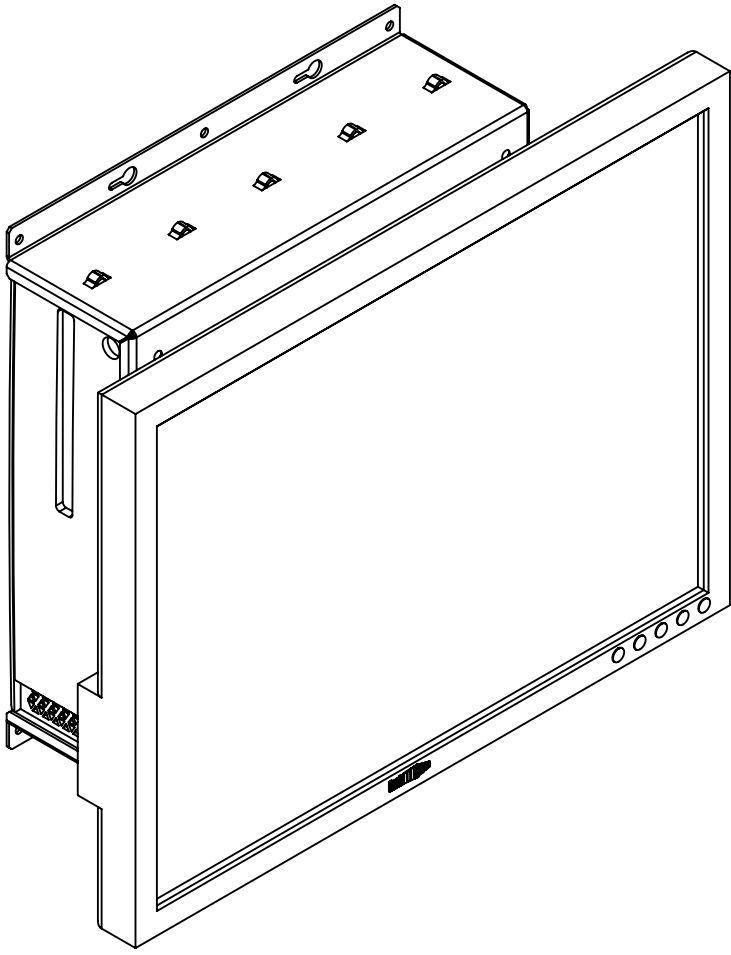


Focus On Quality



Ships Same Day

Dell SFF Wall Mount



Installation Instructions

Kit P/N: 104-5490

Kit Contents

Kit Contents:

- (1) Main Bracket

Wall Mount Hardware Package:

- (4) Pan Head Screw
- (4) Anchors

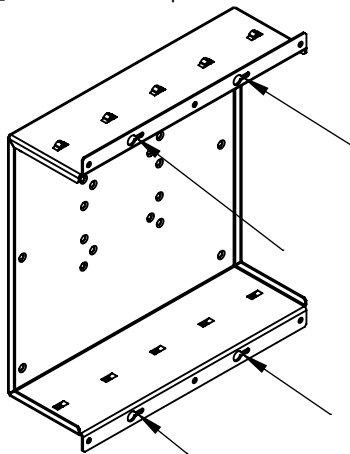
Monitor Hardware Package:

- (8) Nylon Spacers
- (5) M4 x 10mm Flat Head Screws
- (5) M4 x 12mm Flat Head Screws
- (5) M4 x 20mm Flat Head Screws

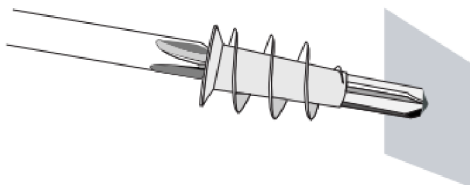
PC Wall Mount Installation Instructions

Step 1 Determine Location: Select an appropriate location on the wall. Consider cable routing and length.

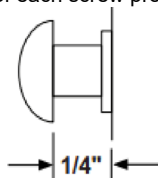
Step 2 Mark Hole Positions: Hold the base in position and mark 4 hole positions with a pencil.



Step 3a Install Drywall Anchor: Install one drywall anchor at each hole mark. Using a #2 Phillips head screwdriver press the anchor into the drywall while turning clockwise until it is seated flush with the wall.



Step 3b Install 4 Screws: Leave 1/4" of each screw protruding out of the wall.



Installation Instructions

Step 4 Monitor Attachment: Turn the monitor face down on a large flat surface. Locate the four VESA mounting holes on the rear of the monitor.

- a. Determine if spacers are required: Some monitors have a "recess" on the rear surface. Spacers are provided to fill this gap. See Table A for spacer length options.
- b. Determine Screw Length: Only use the metric M4 screws provided. Screw length is determined by the spacers used (see Table A).

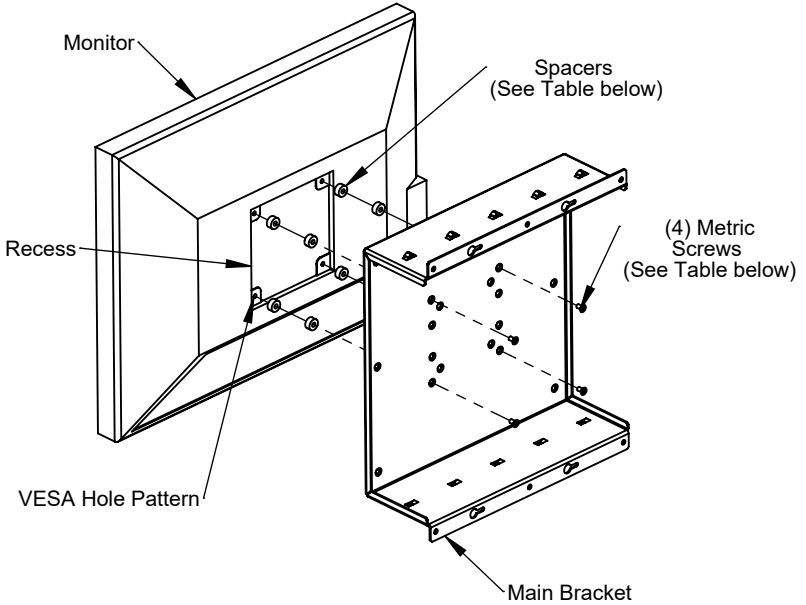



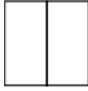



Table A

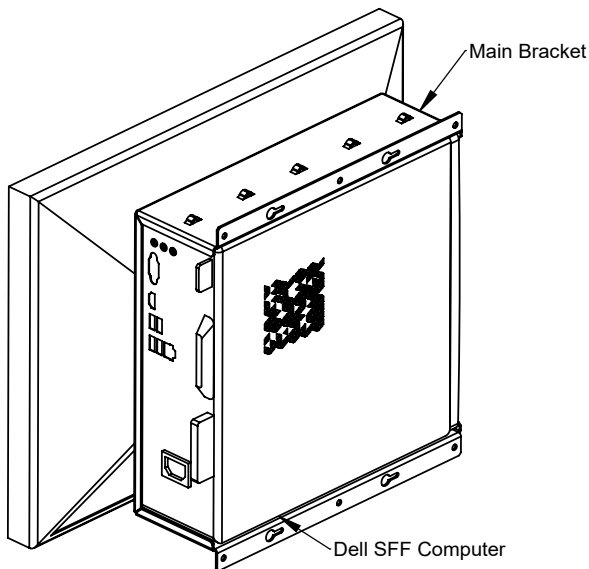
Recess Depth	Spacer	Screw
0	No Spacer Needed	10mm 
.250 (1/4)		12mm 
.500 (1/2)		20mm 

Screws and Spacers are Shown to Scale

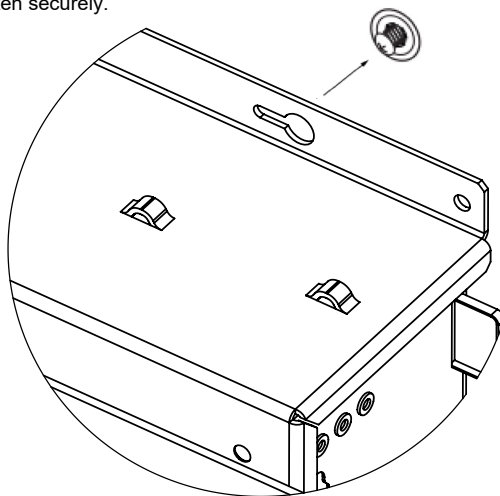


Installation Instructions

Step 5 Computer Attachment: Slide the computer into the Main Bracket.



Step 6 Attach Mount Base: Attach the base to the wall using the 4 screws that were installed in 3b. Tighten securely.



Warranty Statement

Innovation First, Inc. warrants our products against defects in material and workmanship for a period of one (1) year from the date of purchase. Innovation First, Inc. liability shall be limited to repairing or replacing, at our option, any defective product.