



Boldly Creative



Expert Customer Service

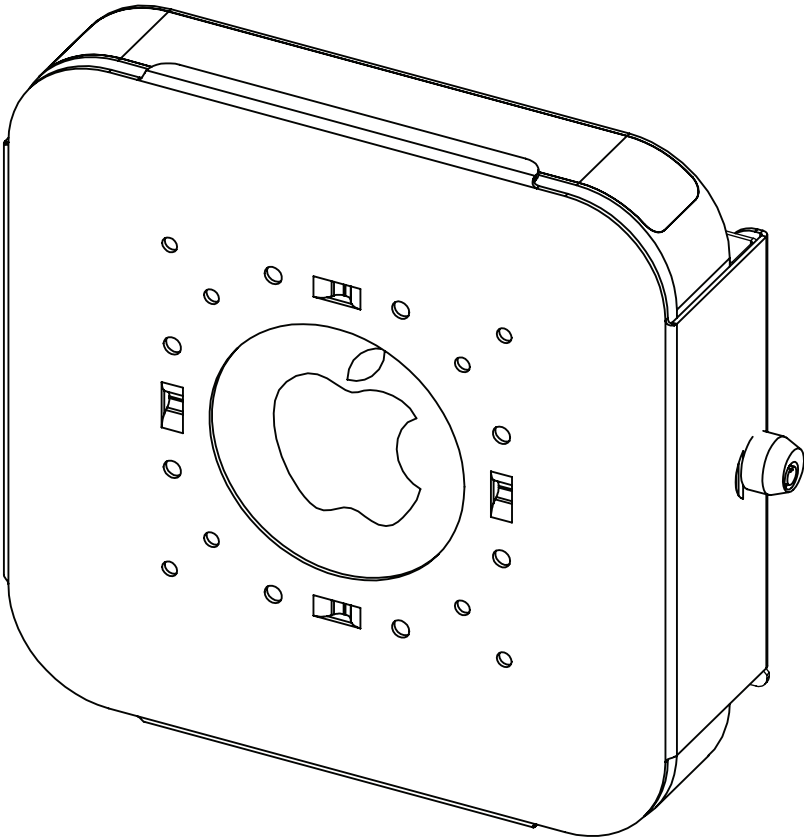


Focus On Quality



Ships Same Day

Mac Mini Mount



Installation Instructions

Kit P/N: 104-5441
104-9159

Kit Contents

Kit Contents:

- (1) Main Bracket
- (1) Rear Bracket
- (1) Lock & Key

Mounting Hardware:

- (4) Drywall Anchors
- (4) 8-32 x 1.250 Pan Head Screws

Fixed Monitor Mount Hardware Package:

- (8) Spacers
- (4) M4 x 0.7 x 10mm Pan Head Screws
- (4) M4 x 0.7 x 18mm Pan Head Screws
- (4) M4 x 0.7 x 25mm Pan Head Screws

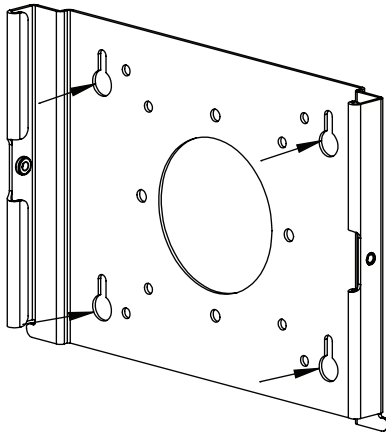
Installation Instructions

Step 1 Determine Location: Select appropriate installation method. Consider cable routing and length:

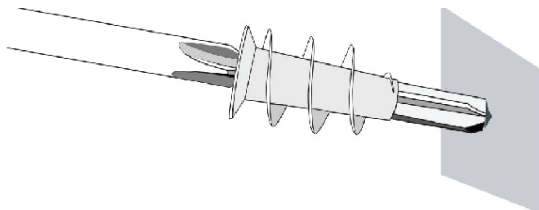
- A. Wall Mount: (see Steps 2-4)
- B. VESA Mount: (see Step 6)

Wall Mount Installation Instructions

Step 2 Mark Hole Positions: Hold the Rear Bracket in Position and mark 4 hole locations with a pencil..

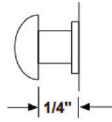


Step 3a Install Drywall Anchor: Install one drywall anchor at each hole mark. Using a #2 Phillips Head Screwdriver, press the anchor into the drywall while turning clockwise until it is seated flush with the wall.

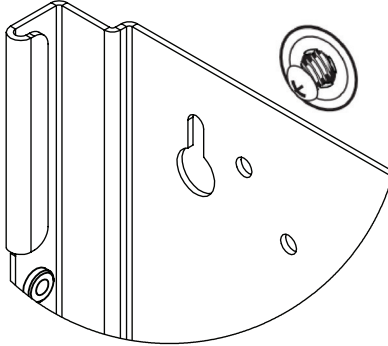


Wall Mount Installation Instructions

Step 3b **Install 4 Screws:** Install 1.250" Pan Head Screws to be seated on top of anchor. Leave approximately 1/4" of each screw protruding out of the wall.

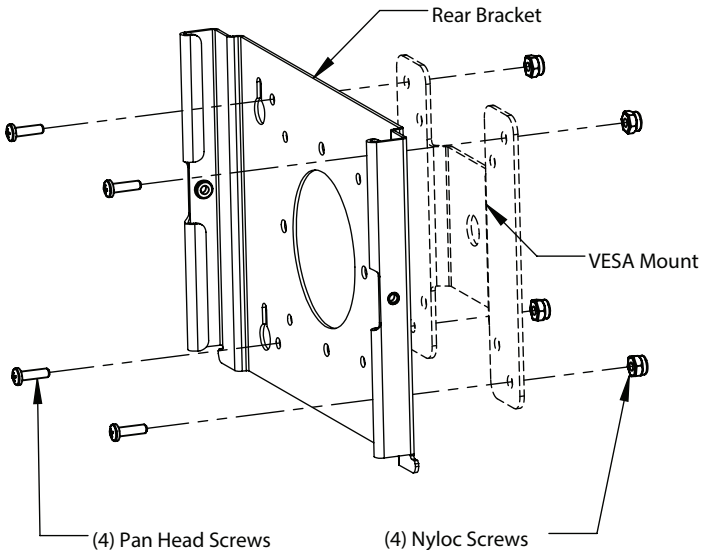


Step 4 **Attach Mount Bracket:** Attach the mount to the wall using the 4 screws that were installed in previous step. Secure by tightening screws.



VESA Mount Installation Instructions

Step 6 **Attach VESA Mount to Rear Bracket:** Attach the Rear Bracket to the VESA Mount using (4) 6-32 x .500 Pan Head Screws and (4) Nyloc Nuts.








Monitor Installation Instructions

NOTE : If using Tilt Monitor Bracket skip steps 7 & 8.
 (Tilt Monitor Sold Separately at RackSolutions.com)

Step 7 **Choosing spacers/screws size:** Turn the monitor face down on a large flat surface. Locate the four VESA mounting holes on the rear of the monitor.

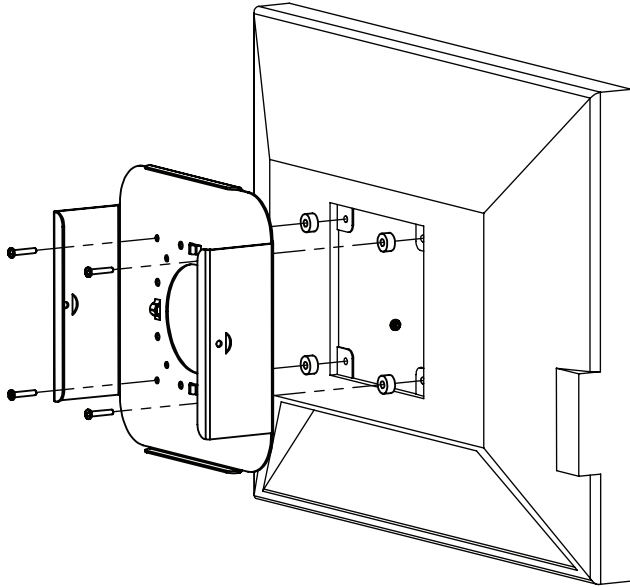
- A. Determine if spacers are required. Some monitors have a "recess" on the rear surface. Spacers are provided to fill this gap. See Table A for spacer length options.
- B. Determine Screw Length: Only use the metric M4 screws provided. Screw length is determined by the spacers used (see Table A.)

Table A

Recess Depth	Spacer	Screw
0	No Spacer Needed	 10mm
.250 (1/4)		 18mm
.500 (1/2)		 25mm

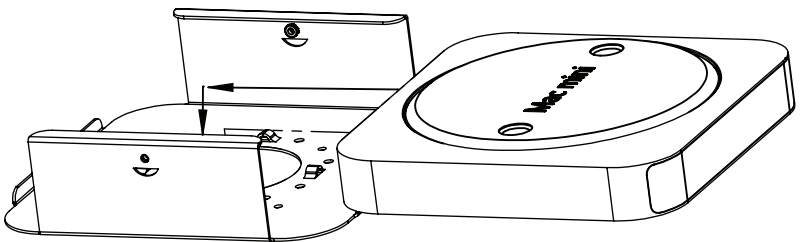
Monitor Installation Instructions

- Step 8 **Fixed Monitor Mount Attachment:** Locate the outer holes (refer to the picture below) on the Mount Bracket and align with the appropriate screws (see Step 9 & Table A). Install the screws to the rear of the Monitor. Use spacers if necessary.



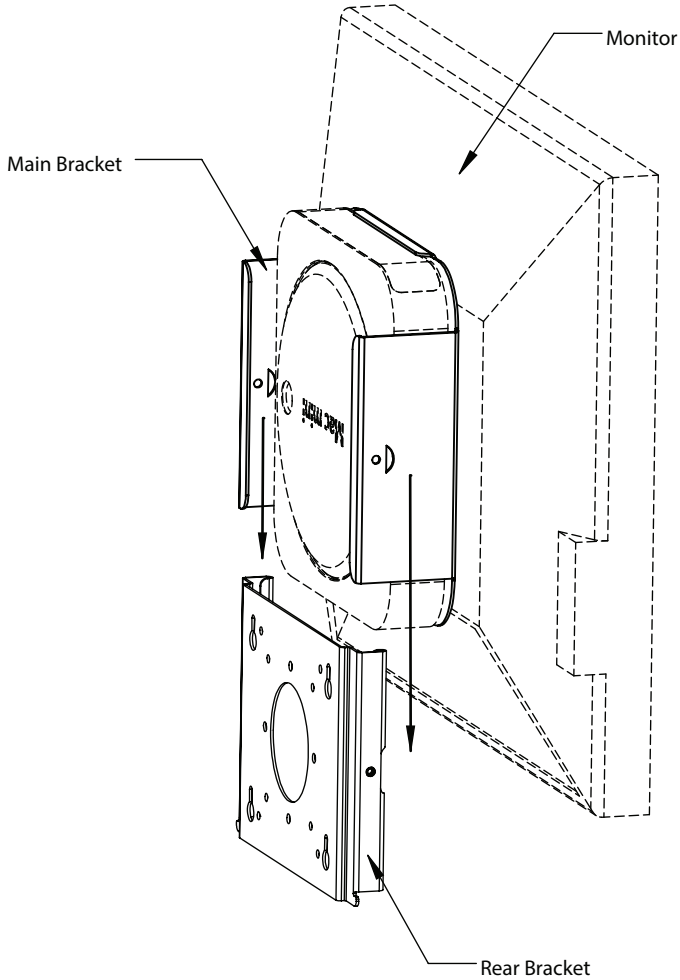
Computer Installation Instructions

- Step 9 **Computer Attachment:** Slide the Computer into the Main Bracket from the back opening.



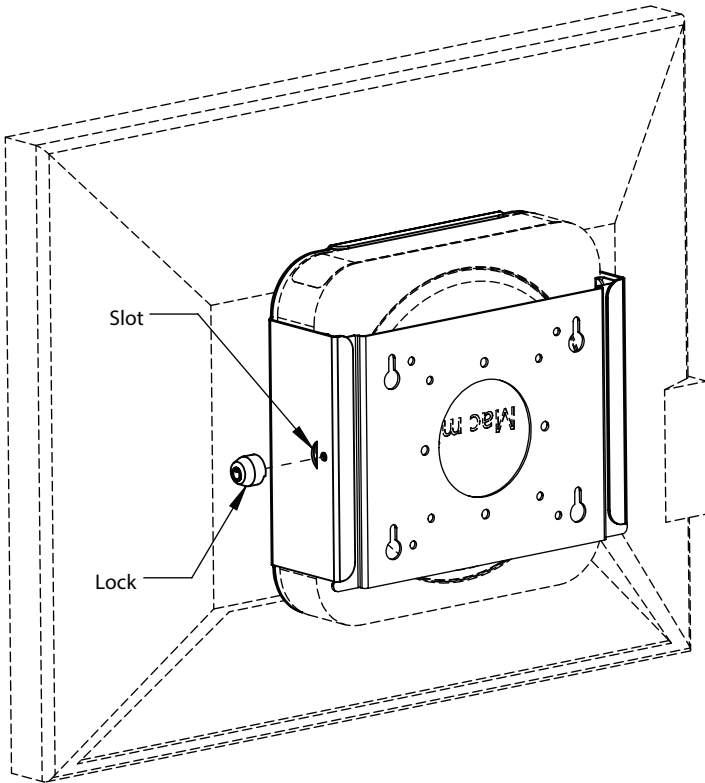
Computer Installation Instructions

Step 10 Attach Main Bracket to Rear Bracket: Slide the Main Bracket with the Mac Mini, over the Rear Bracket.



Computer Installation Instructions

Step 11 Lock Mount: Install Lock by screwing into the Main Bracket as shown below. Align the protrusion on the Lock with the slot in the Main Bracket then tighten completely with the key.





Boldly Creative



Expert Customer Service



Focus On Quality



Ships Same Day

You're going to ♥ working with us Global company - small town service

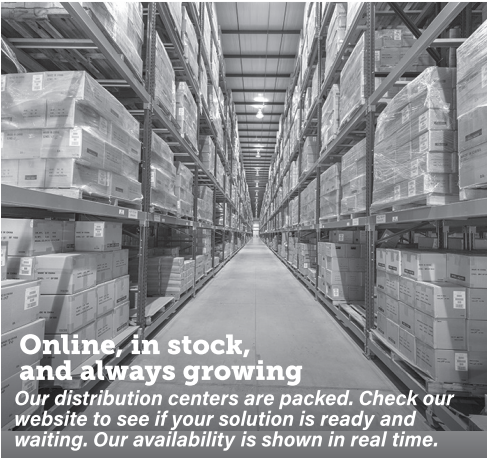
Custom Engineering

Our top notch (in-house) mechanical and electrical engineers are available to solve your toughest custom design challenges.



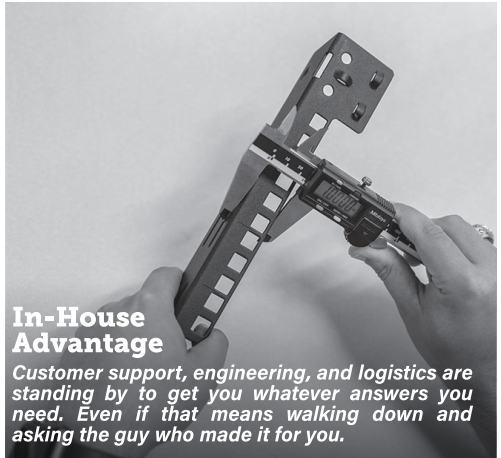
On-Site Manufacturing

Our manufacturing facility is on-site at our Texas headquarters. If we send them a drawing in the morning, we can have parts ready to ship-out that evening.



Online, in stock, and always growing

Our distribution centers are packed. Check our website to see if your solution is ready and waiting. Our availability is shown in real time.



In-House Advantage

Customer support, engineering, and logistics are standing by to get you whatever answers you need. Even if that means walking down and asking the guy who made it for you.

Warranty Statement

Innovation First, Inc. warrants our products against defects in material and workmanship for a period of one (1) year from the date of purchase. Innovation First, Inc. liability shall be limited to repairing or replacing, at our option, any defective product.

5441

9159