



*Boldly Creative*



*Expert Customer Service*



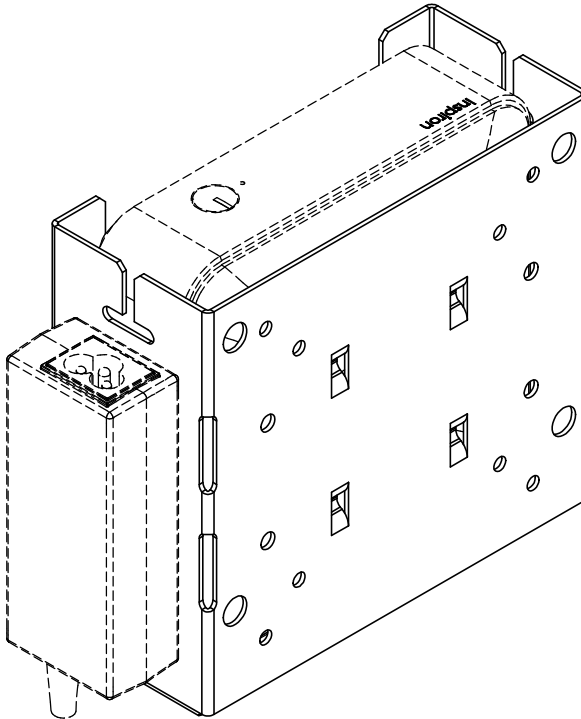
*Focus On Quality*



*Ships Same Day*

Patent(s) Pending

## Dell Inspiron 3050 Micro and Monitor Wall Mount



Installation Instructions

Kit P/N: 104-5431

# Kit Contents

---

## Kit Contents:

- (1) Mount Bracket
- (2) Hook and Loop Straps

## Wall Mounting Hardware:

- (4) Drywall Anchor
- (4) 8-32 x 1.250 Pan Head Screws

## Fixed Monitor Mount Hardware:

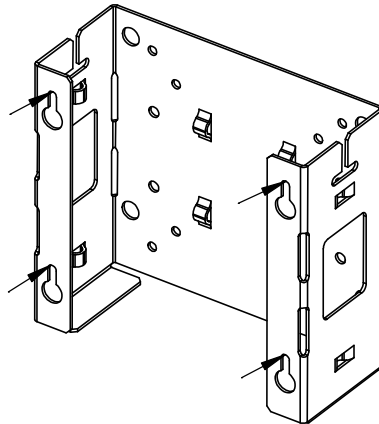
- (8) Spacers
- (4) M4 x 0.7 x 10mm Pan Head Screws
- (4) M4 x 0.7 x 18mm Pan Head Screws
- (4) M4 x 0.7 x 25mm Pan Head Screws

# Wall Mount Installation Instructions

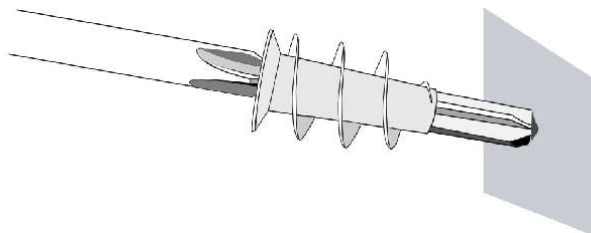
---

**Step 1** Determine Location: Find location to install the Wall Mount. Consider cable routing and length.

**Step 2** Mark Hole Location: Hold the bracket in position and mark 4 hole positions with a pencil.

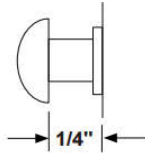


**Step 3a** Install Drywall Anchor: Install one drywall anchor at each hole mark. Using a #2 Phillips head screwdriver, press the anchor into the drywall while turning clockwise until it is seated flush with the wall.



# Installation Instructions

**Step 3b** Install 4 Screws: Install 1.250" Pan Head Screws into the anchors, leaving approximately 1/4" of each screw protruding out of the wall.



## Monitor Installation Instructions

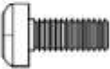




**NOTE:** If using Tilt Monitor Bracket skip steps 4 & 5. (Tilt Monitor Bracket Sold Separately)

**Step 4** Choosing spacers/ screw sizes: Turn the monitor face down on a large flat surface. Locate the four VESA mounting holes on the rear of the monitor.

**A. Determine if spacers are required:** Some monitors have a "recess" on the rear surface. Spacers are provided to fill this gap. See Table A for spacer length options.

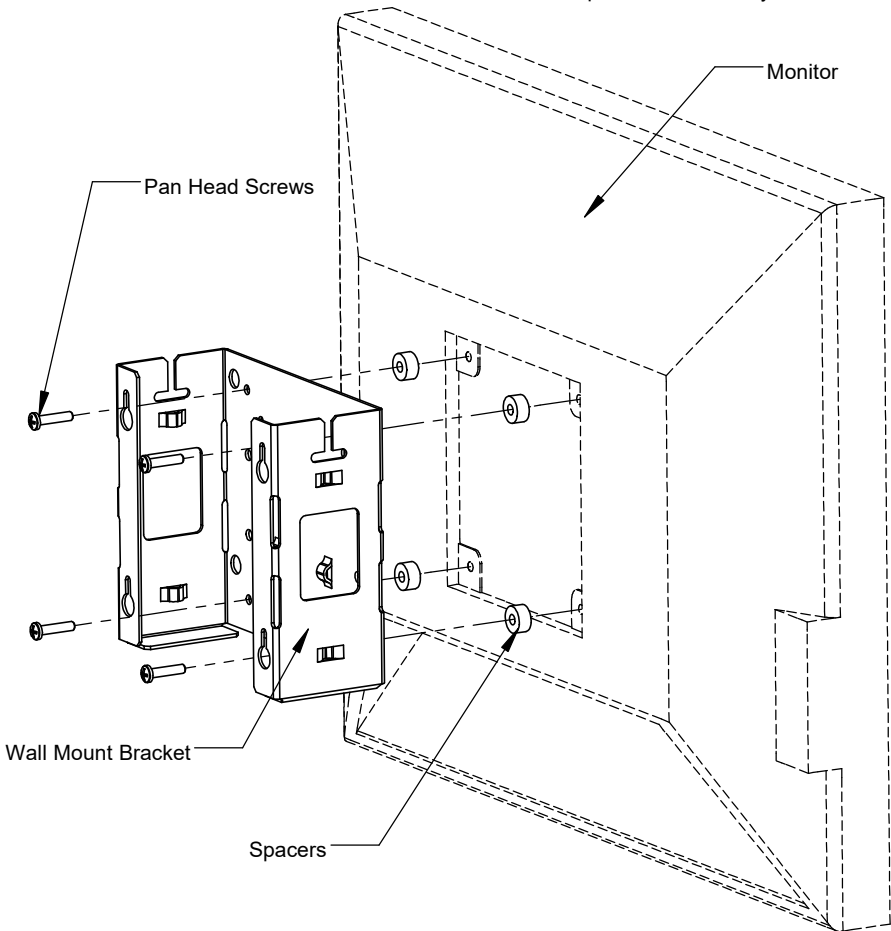
**B. Determine Screw Length:** Only use the metric M4 screws provided. Screw length is determined by the spacers used (see Table A).

**Table A**

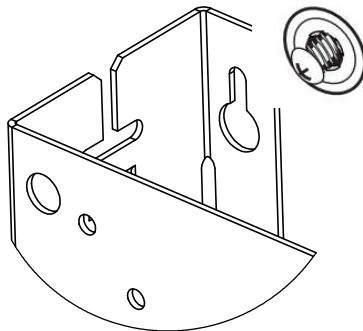
| Recess Depth | Spacer  | Screw  |
|--------------|---|--|
| 0            | No Spacer Needed  |  10mm |
| .250 (1/4)   |  |  18mm |
| .500 (1/2)   |  |  25mm |

# Installation Instructions

**Step 4** Fixed Monitor Mount Attachment: Locate the outer holes (refer to the picture below) on the Mount Bracket and align with the appropriate screws (see Step 5 & Table A). Install the screws to the rear of the Monitor. Use spacers if necessary.

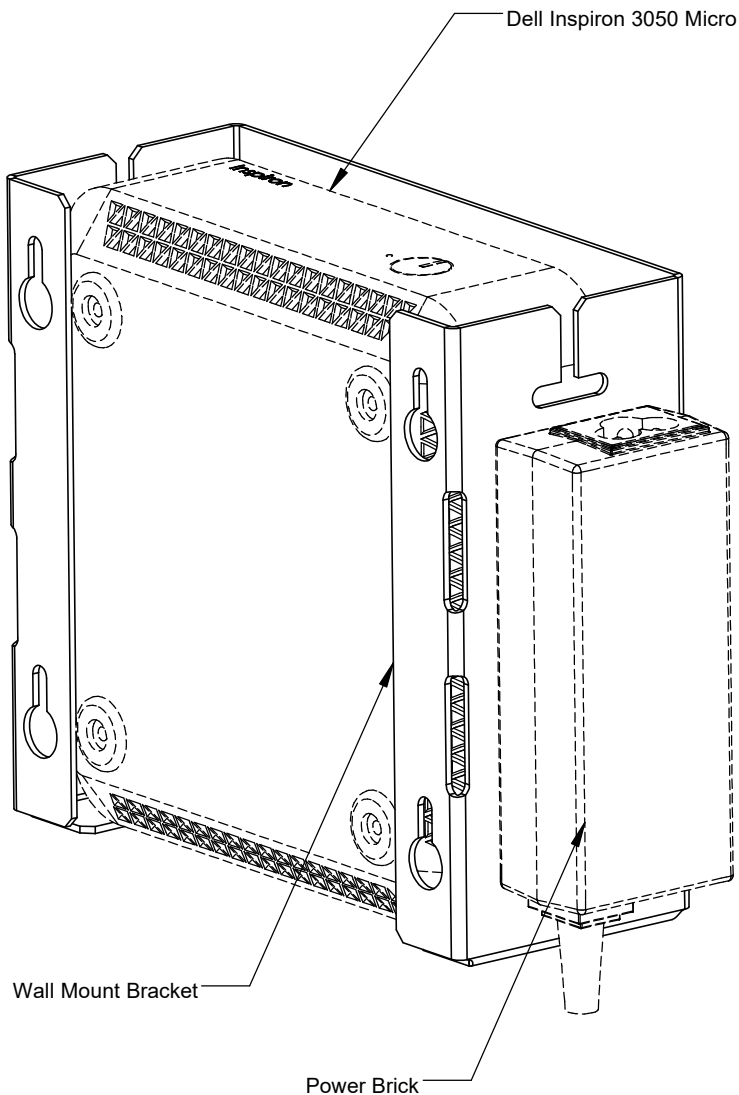


**Step 6** Attach Mount Bracket: Attach the mount to the wall using the 4 screws that were installed in 3b. Secure by tightening screws.



# Installation Instructions

**Step 7** Computer Attachment: Slide the Computer into the Main Bracket from the top opening. The power brick can be secured to either side of the mount using the hook and loop straps.



**NOTE:** Optional locking mechanism P/N 101-5205 available at [RackSolutions.com](http://RackSolutions.com)

This page is  
intentionally left blank

This page is  
intentionally left blank



*Boldly Creative*



*Expert Customer Service*



*Focus On Quality*



*Ships Same Day*

Warranty Statement

Innovation First, Inc. warrants our products against defects in material and workmanship for a period of one (1) year from the date of purchase. Innovation First, Inc. liability shall be limited to repairing or replacing, at our option, any defective product.

**5431**