



*Boldly Creative*



*Expert Customer Service*

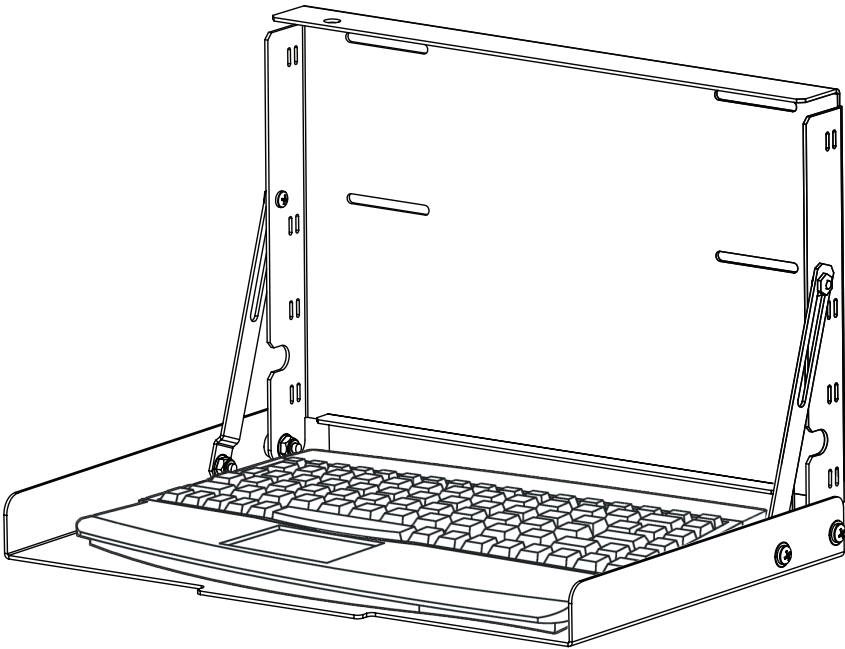


*Focus On Quality*



*Ships Same Day*

## Wall Mount Keyboard



Installation Instructions

Kit P/N: 104-4846

# Kit Contents

---

## Assembly Components:

- (1) Keyboard Wall Mount
- (4) 1" Cable Ties
- (1) 12" Hook and Loop

## Wall Mount Hardware Package:

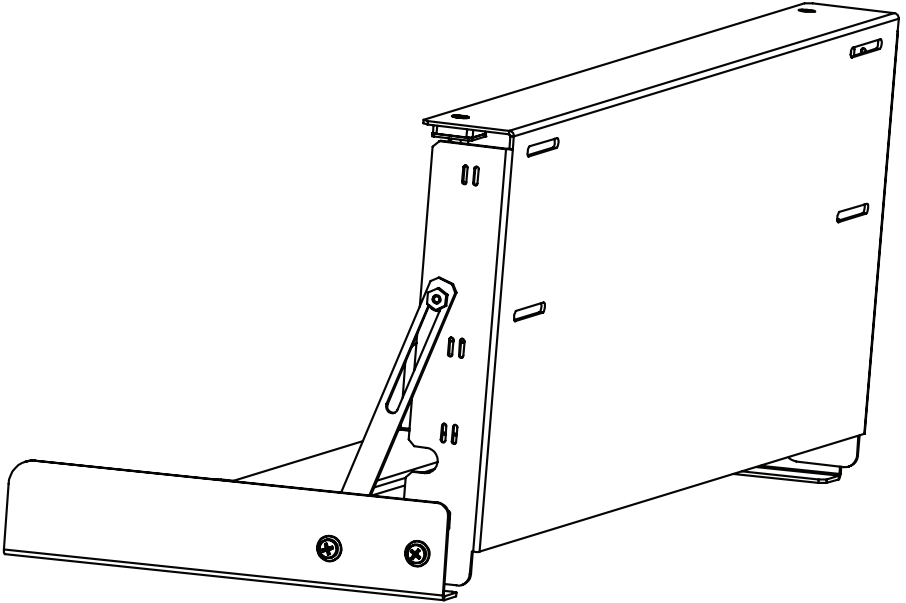
- (4) Pan Head Screws
- (4) Anchors

# Installation Instructions

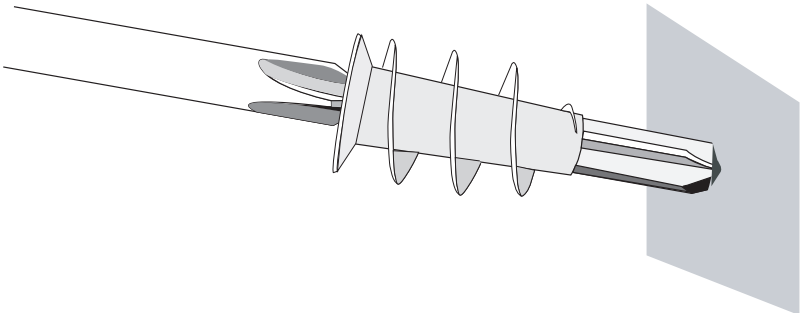
---

**Step 1.** Determine Location: Select appropriate location on wall. Consider cable routing and length.

**Step 2.** Mark Hole Positions: Hold Mount Base in position and mark 4 hole positions with pencil.

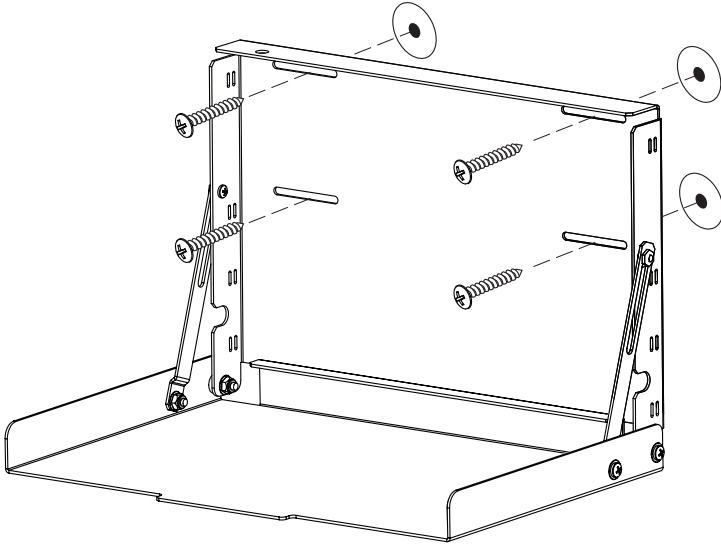


**Step 3.** Install Drywall Anchor: Install one drywall anchor at each hole mark. Using a #2 Phillips head screwdriver press the anchor into the drywall while turning clockwise until it is seated flush with the wall.

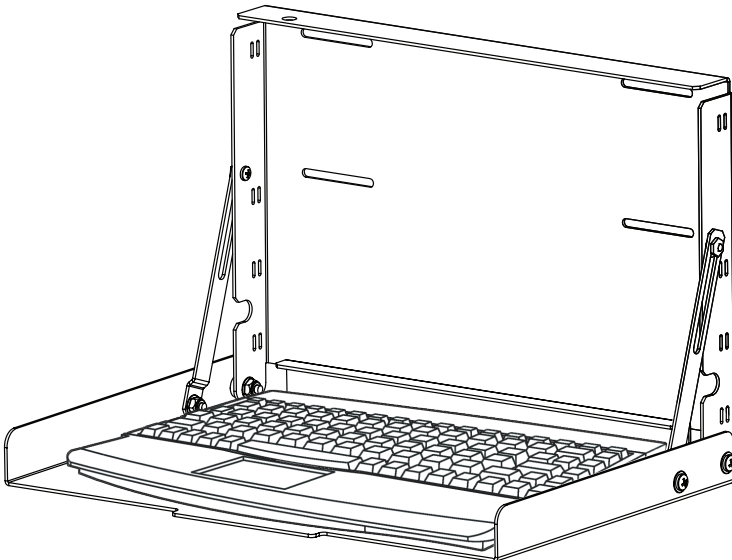


# Installation Instructions

**Step 4. Attach Mount Base:** Attach Mount Base to wall using the 4 screws supplied in Wall Mount Hardware Package. Tighten securely.



**Step 5. Install Keyboard:** The hook and loop included with the kit may be used to secure the keyboard to the shelf by sticking it to the bottom of the keyboard. The included cable ties may be used for managing cables.





*Boldly Creative*



*Expert Customer Service*



*Focus On Quality*



*Ships Same Day*

#### Warranty Statement

Innovation First, Inc. warrants our products against defects in material and workmanship for a period of one (1) year from the date of purchase. Innovation First, Inc. liability shall be limited to repairing or replacing, at our option, any defective product.

**4846**