



*Boldly Creative*



*Expert Customer Service*



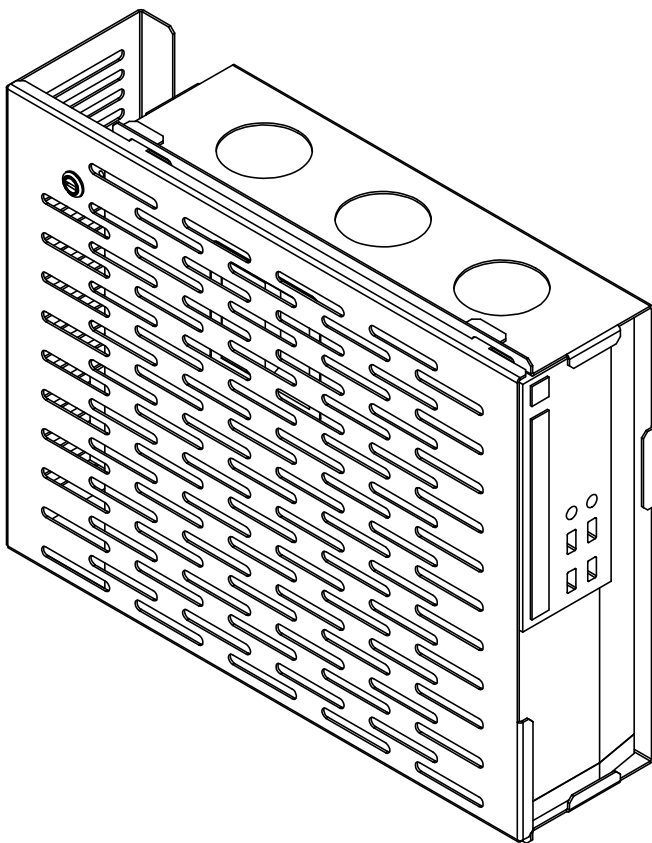
*Focus On Quality*



*Ships Same Day*

Patent(s) Pending

## Dell 9020 SFF Wall Mount



Installation Instructions

Kit P/N: 104-4778

# Kit Contents

---

**Kit Contents:**

- (1) Main Bracket
- (1) Cover

**Mounting Hardware:**

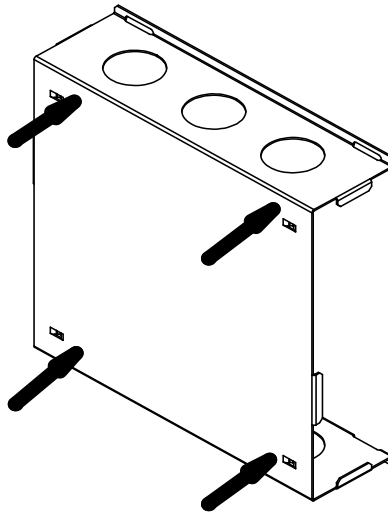
- (4) Pan Head Screw
- (4) Anchors

## PC Wall Mount Installation Instructions

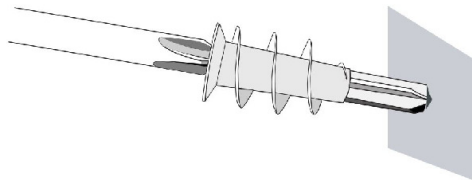
---

**Step 1** Determine Location: Select an appropriate location on the wall. Consider cable routing and length.

**Step 2** Mark Hole Position: Hold the base in position and mark 4 hole positions with a pencil.

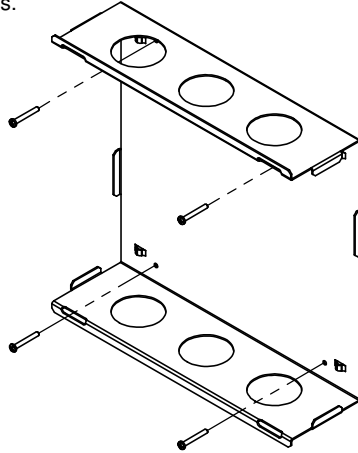


**Step 3** Install Drywall Anchor: Install one drywall anchor at each hole mark. Using a #2 Phillips head screw driver press the anchor into the drywall while turning clockwise until it is seated flush with the wall.

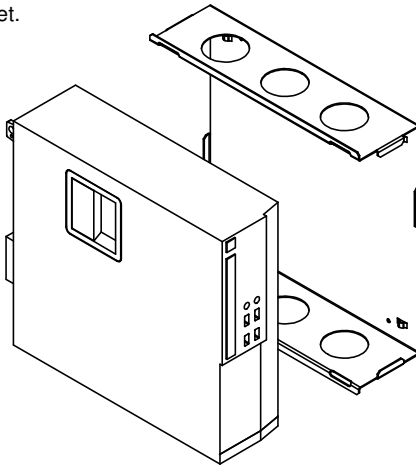


# Dell 9020 SFF Wall Mount Installation Instructions

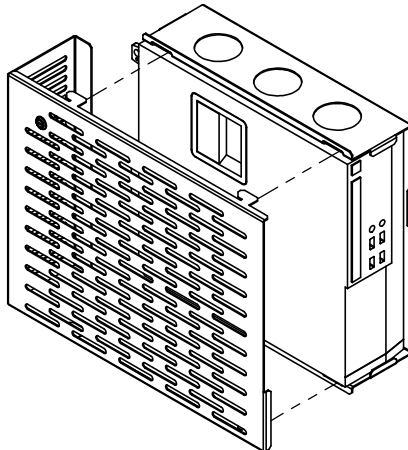
**Step 4** Main Bracket Attachment: Secure the Main Bracket on to the wall with the supplied Pan Head Screws.



**Step 5** Computer and Cover Attachment: Slide the Computer into the front of the mounted Main Bracket.



**Step 6** Cover Installation: Align the tabs with the holes in the Main Bracket and lock the cover into place





*Boldly Creative*



*Expert Customer Service*



*Focus On Quality*



*Ships Same Day*

Warranty Statement

Innovation First, Inc. warrants our products against defects in material and workmanship for a period of one (1) year from the date of purchase. Innovation First, Inc. liability shall be limited to repairing or replacing, at our option, any defective product.

**4778**