



Boldly Creative



Expert Customer Service

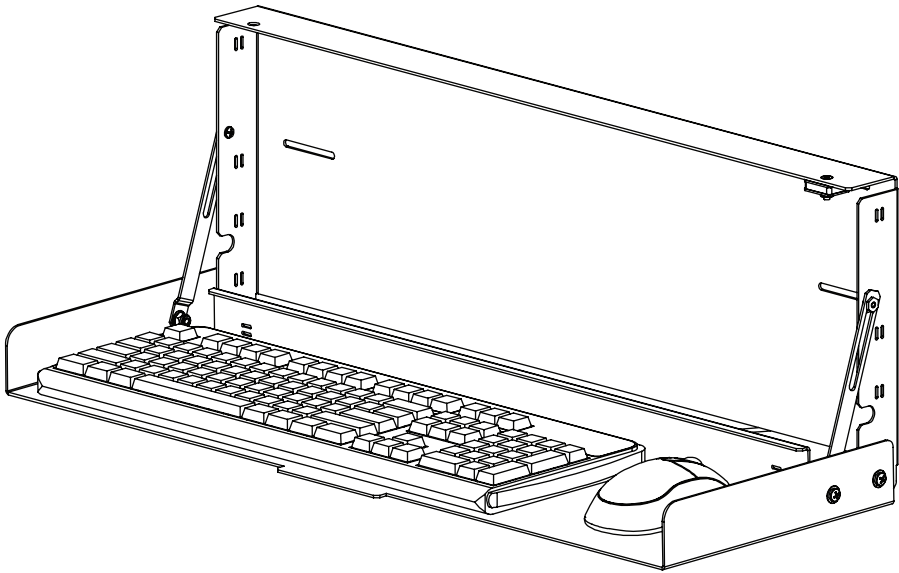


Focus On Quality



Ships Same Day

Wall Mount Keyboard



Installation Instructions

Kit P/N: 104-2795

Kit Contents

Assembly Components:

- (1) Keyboard Wall Mount
- (4) 1" Cable Ties
- (1) 12" Hook and Loop

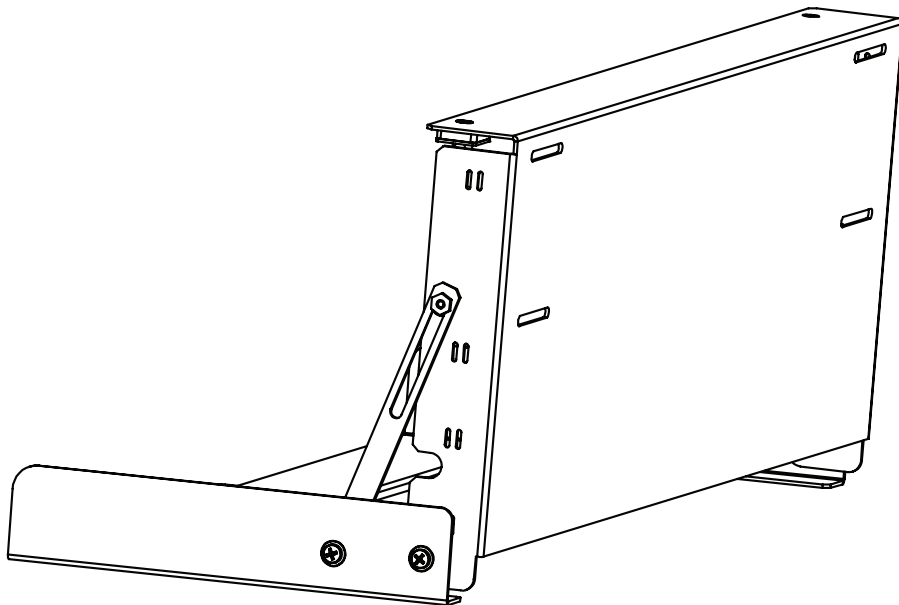
Wall Mount Hardware Package:

- (4) Pan Head Screws
- (4) Anchors

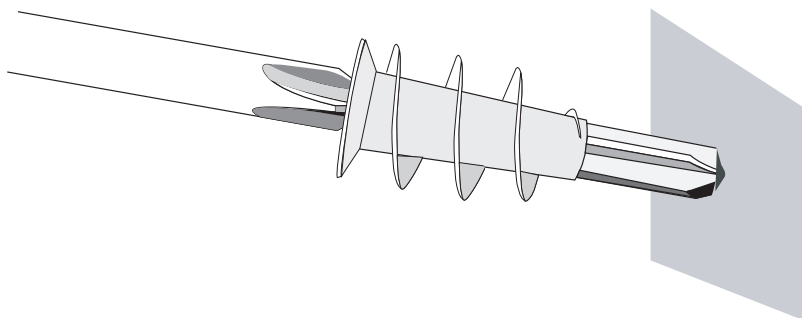
Installation Instructions

Step 1. Determine Location: Select appropriate location on wall. Consider cable routing and length.

Step 2. Mark Hole Positions: Hold Mount Base in position and mark 4 hole positions with pencil.

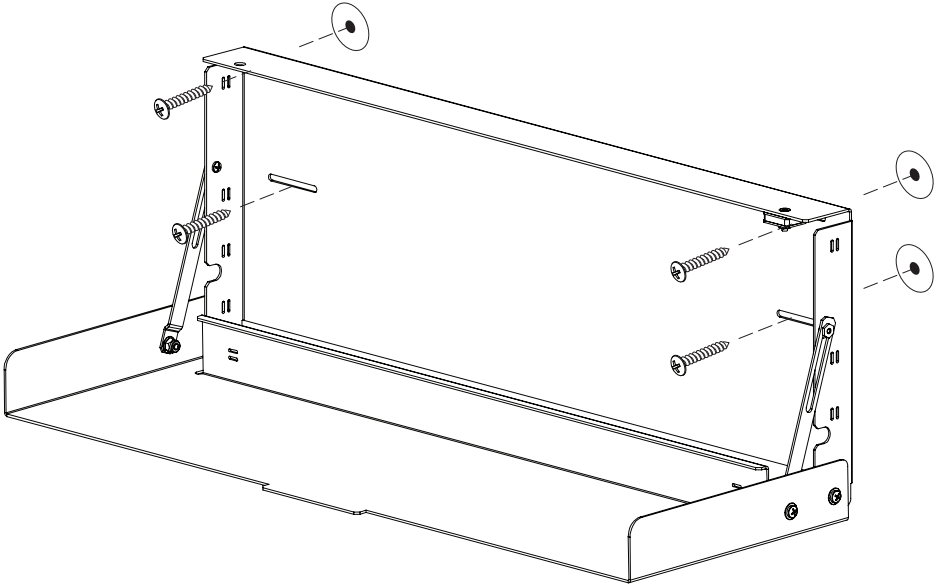


Step 3. Install Drywall Anchor: Install one drywall anchor at each hole mark. Using a #2 Phillips head screwdriver press the anchor into the drywall while turning clockwise until it is seated flush with the wall.

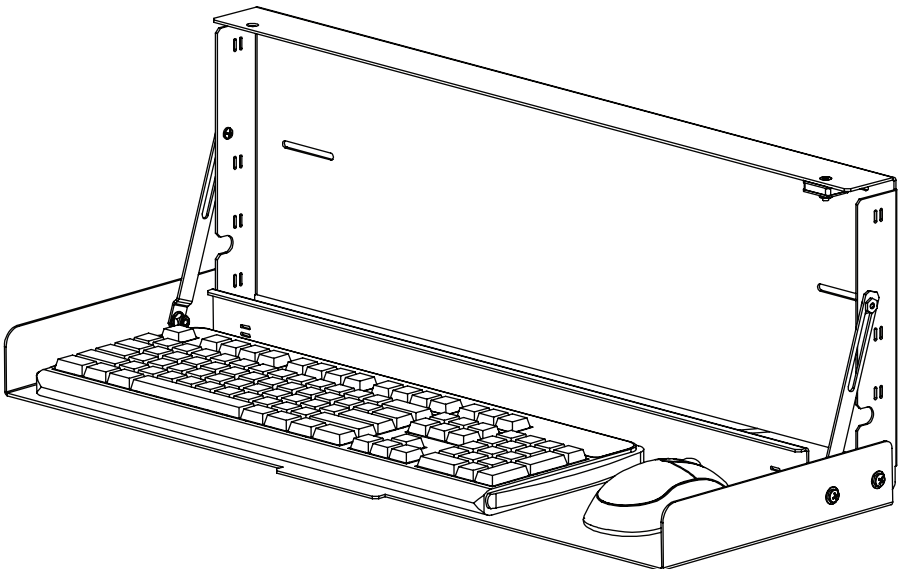


Installation Instructions

Step 4. Attach Mount Base: Attach Mount Base to wall using the 4 screws supplied in Wall Mount Hardware Package. Tighten securely.



Step 5. Install Equipment: The hook and loop included with the kit may be used to secure the keyboard to the shelf. The included cable ties may be used for managing cables.





Boldly Creative



Expert Customer Service



Focus On Quality



Ships Same Day

Warranty Statement

Innovation First, Inc. warrants our products against defects in material and workmanship for a period of one (1) year from the date of purchase. Innovation First, Inc. liability shall be limited to repairing or replacing, at our option, any defective product.

2795