



*Boldly Creative*



*Expert Customer Service*



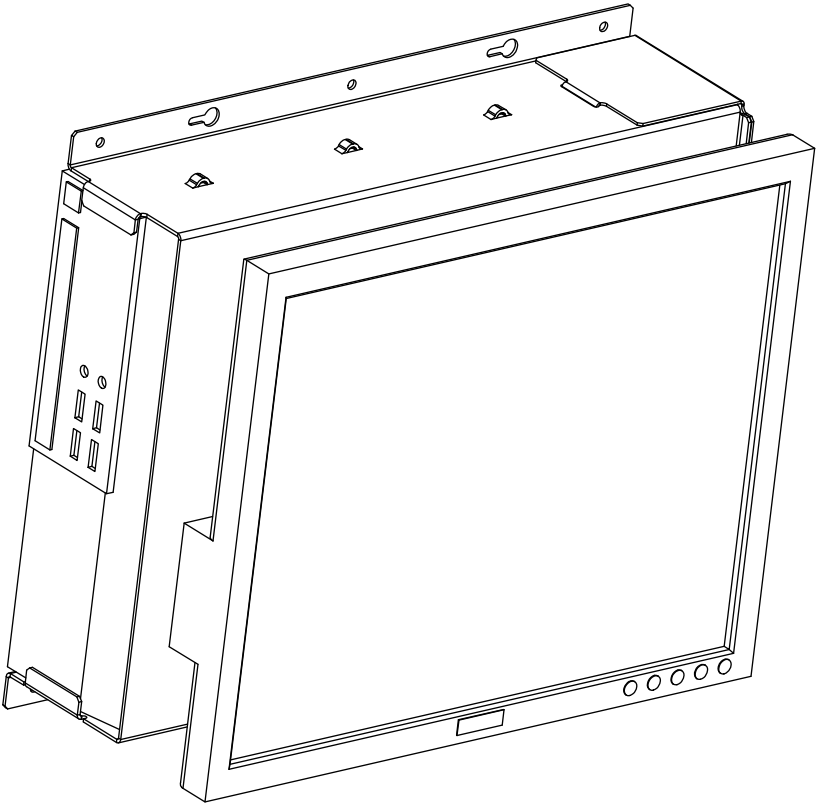
*Focus On Quality*



*Ships Same Day*

Patent(s) Pending

## Dell OptiPlex SFF and Monitor Wall Mount



Installation Instructions

Kit P/N: 104-2323

# Kit Contents

## Assembly Components:

- (1) Main Bracket
- (1) Cover

## Wall Mount Hardware Package:

- (4) Pan Head Screw
- (4) Anchors

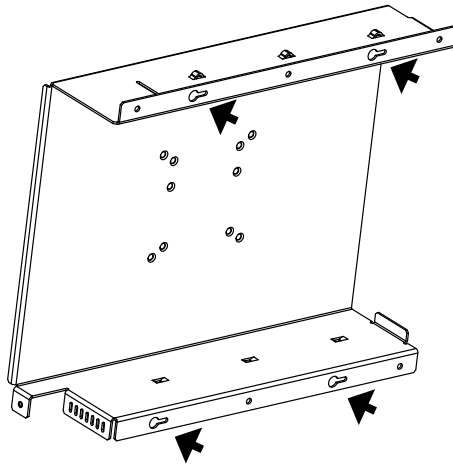
## Monitor Hardware Package:

- (8) Nylon Spacers
- (5) M4 x 10mm Flat Head Screws
- (5) M4 x 12mm Flat Head Screws
- (5) M4 x 20mm Flat Head Screws

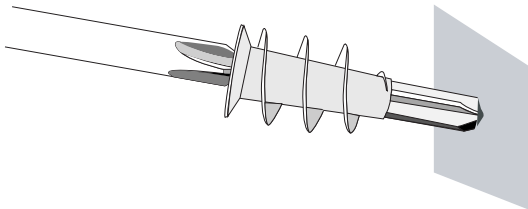
# PC Wall Mount Installation Instructions

**Step 1. Determine Location:** Select an appropriate location on the wall. Consider cable routing and length.

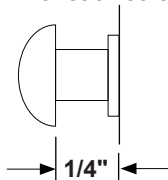
**Step 2. Mark Hole Positions:** Hold the base in position and mark 4 hole positions with a pencil.



**Step 3a. Install Drywall Anchor:** Install one drywall anchor at each hole mark. Using a #2 Phillips head screwdriver press the anchor into the drywall while turning clockwise until it is seated flush with the wall.

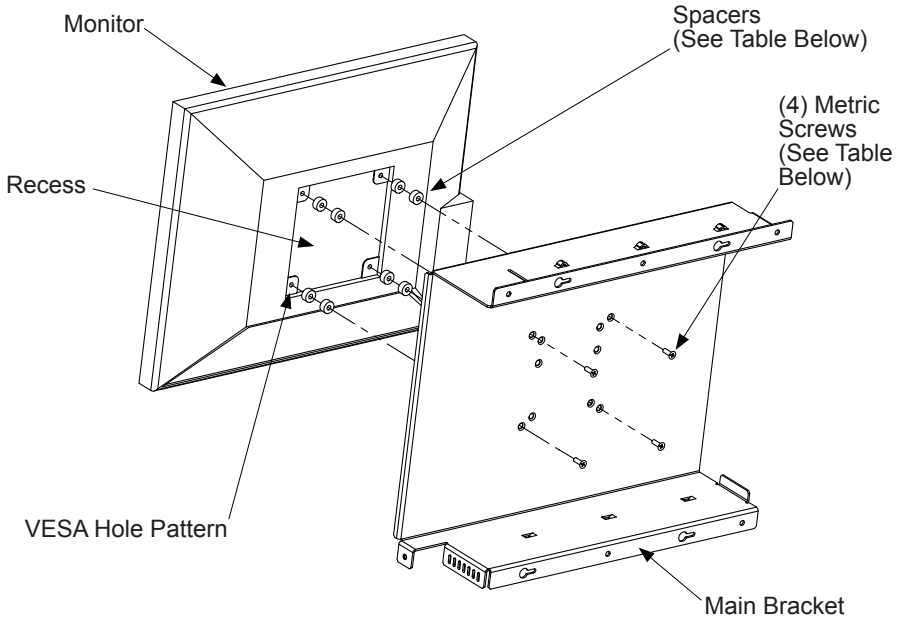


**Step 3b. Install 4 Screws:** Leave 1/4" of each screw protruding out of the wall.




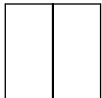



# Installation Instructions

- Step 4. Monitor Attachment:** Turn the monitor face down on a large flat surface. Locate the four VESA mounting holes on the rear of the monitor.
- Determine if spacers are required:** Some monitors have a "recess" on the rear surface. Spacers are provided to fill this gap. See Table A for spacer length options.
  - Determine Screw Length:** Only use the metric M4 screws provided. Screw length is determined by the spacers used (see Table A).



**Table A**

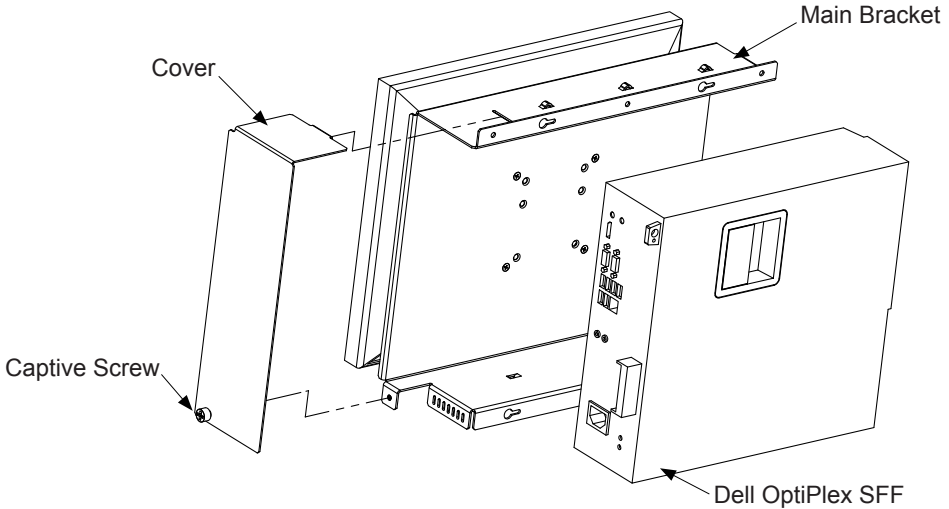
Recess Depth	Spacer	Screw
0	No Spacer Needed	10mm 
.250 (1/4)		12mm 
.500 (1/2)		20mm 

**Screws and Spacers are Shown to Scale**

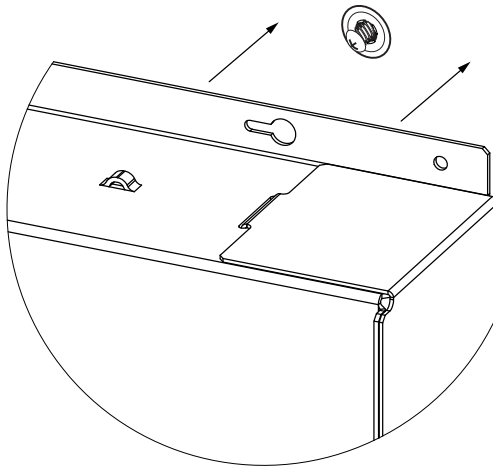


## Installation Instructions

**Step 5. Computer and Cover Attachment:** Slide the computer into the Main Bracket.



**Step 6. Attach Mount Base:** Attach the base to the wall using the 4 screws that were installed in 3b. Tighten Securely.



### Warranty Statement

Innovation First, Inc. warrants our products against defects in material and workmanship for a period of one (1) year from the date of purchase. Innovation First, Inc. liability shall be limited to repairing or replacing, at our option, any defective product.