



Boldly Creative



Expert Customer Service



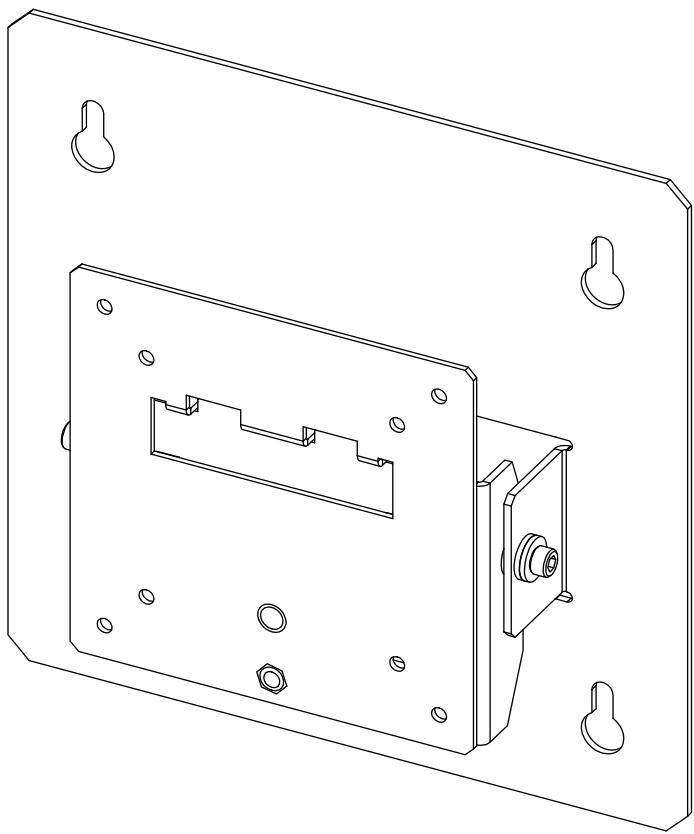
Focus On Quality



Ships Same Day

Patent(s) Pending

Monitor Wall Mount



Installation Instructions

Kit P/N: 104-2202

104-4011

Kit Contents

Assembly Components:

- (1) Pivot Assembly
- (1) VESA Monitor Bracket

Wall Mount Hardware Package:

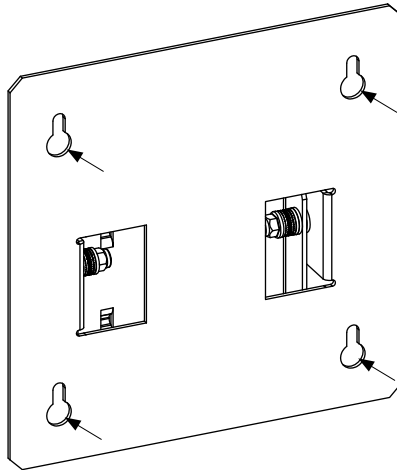
- (4) Pan Head Screws
- (4) Anchors

Monitor Hardware Package:

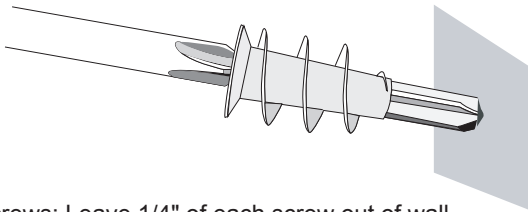
- (8) Nylon Spacers
- (4) M4 x 10mm Pan Head Screws
- (4) M4 x 18mm Pan Head Screws
- (4) M4 x 25mm Pan Head Screws

PC Wall Mount Installation Instructions

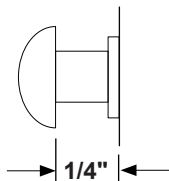
- Step 1. Determine Location:** Select appropriate location on wall. Consider cable routing and length.
- Step 2. Mark Hole Positions:** Hold Pivot Assembly in position and mark 4 hole positions with pencil.



- Step 3a. Install Drywall Anchor:** Install one drywall anchor at each hole mark. Using a #2 Phillips head screwdriver press the anchor into the drywall while turning clockwise until it is seated flush with the wall.

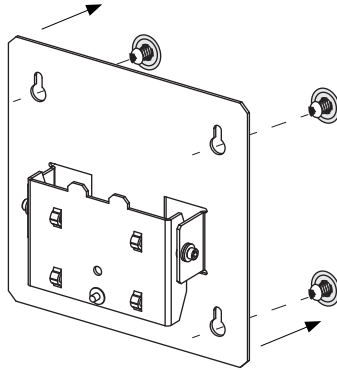


- Step 3b. Install 4 Screws:** Leave 1/4" of each screw out of wall.



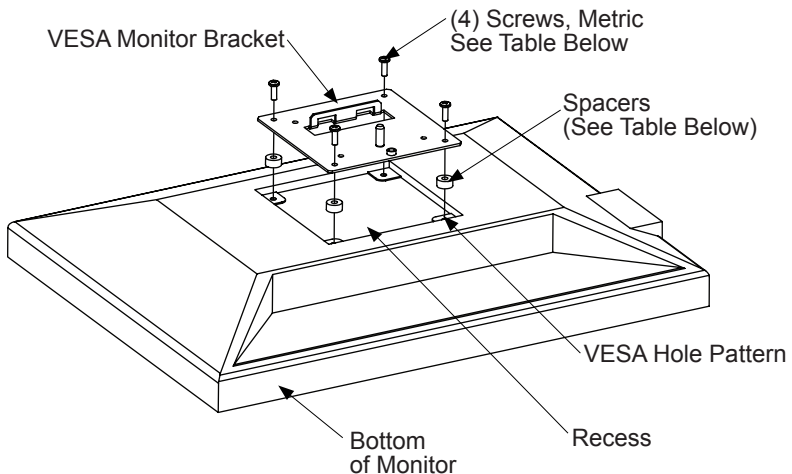
Installation Instructions

Step 4. Attach Pivot Assembly: Attach Pivot Assembly to wall using the 4 screws that were installed in 3b. Tighten Securely.



Step 5. VESA Monitor Bracket Attachment: Turn the monitor face down on a large flat surface. Locate the four VESA mounting holes on the rear of the monitor.

- Determine if spacers are required:** Some monitors have a "recess" on the rear of the monitor. Spacers are provided to fill this gap. See Table A for spacer length options.
- Determine Screw Length:** Only use the metric M4 screws provided. The screw length is determined by the spacers used (see Table A).





Boldly Creative



Expert Customer Service



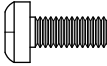


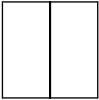

Focus On Quality



Ships Same Day

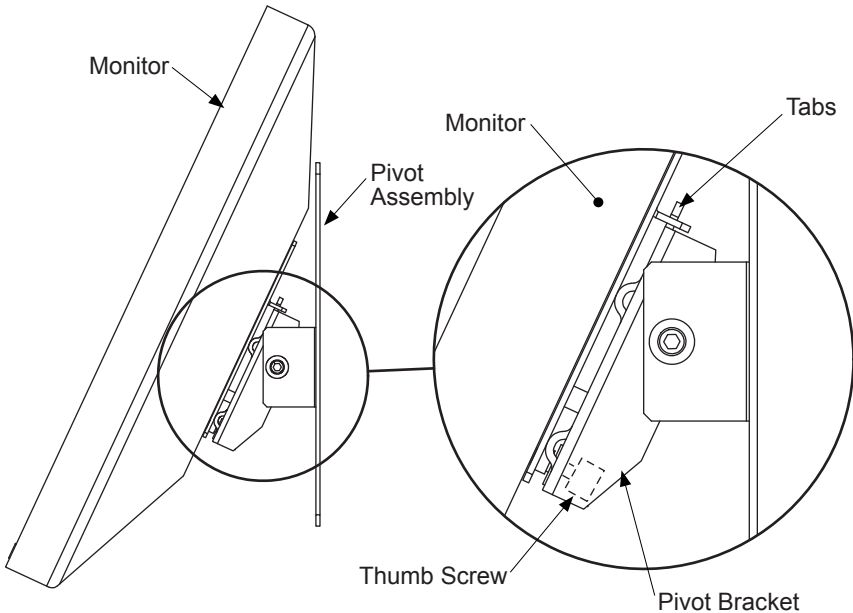
Installation Instructions

Table A

Recess Depth	Spacer	Screw
0	No Spacer Needed	 10mm
.250 (1/4)		 18mm
.500 (1/2)		 25mm

Screws and Spacers are Shown to Scale

Step 6. Monitor to Pivot Assembly Installation: Slide the monitor with the VESA Monitor Plate down over the top two Tabs on the Stand. Tighten the Thumb Screw.



Warranty Statement

Innovation First, Inc. warrants our products against defects in material and workmanship for a period of one (1) year from the date of purchase. Innovation First, Inc. liability shall be limited to repairing or replacing, at our option, any defective product.

2202 4011