



Boldly Creative



Expert Customer Service



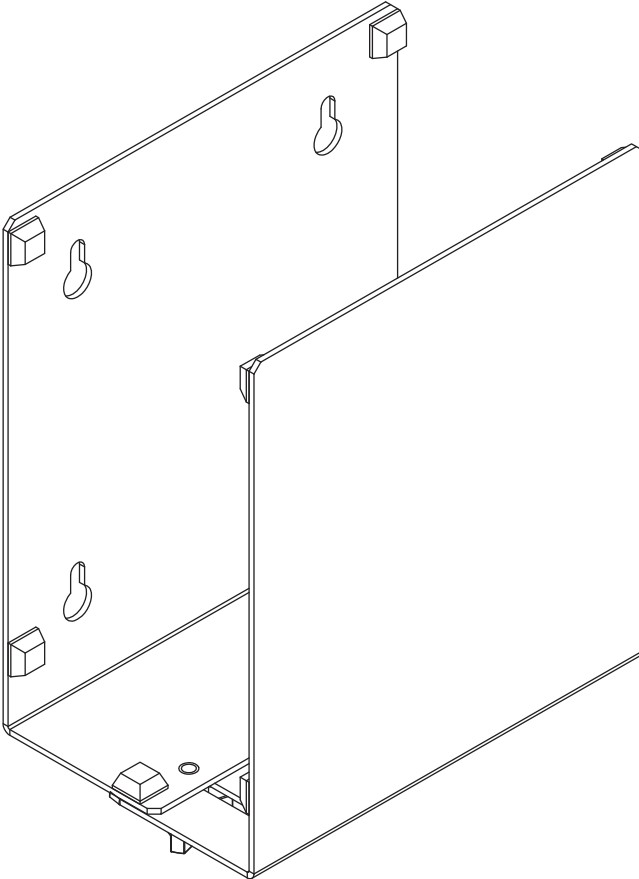
Focus On Quality



Ships Same Day

Patent(s) Pending

Universal Equipment Wall Mount



Installation Instructions

Kit P/N: 104-2109

104-4010

Kit Contents

Assembly Components:

- (1) Wall Bracket
- (1) Clamp Bracket
- (2) Adjustment Knobs

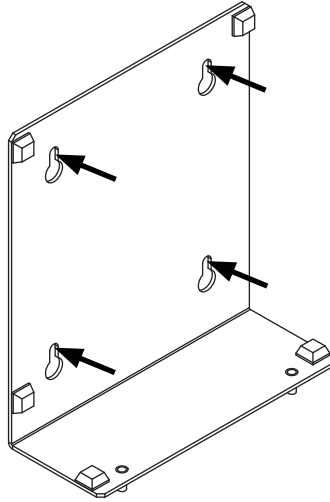
Wall Mount Hardware Package:

- (4) Pan Head Screws
- (4) Anchors

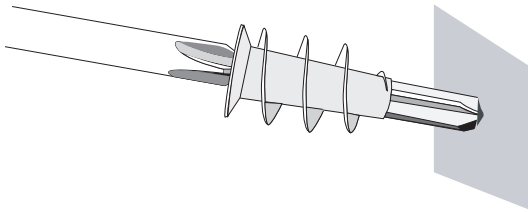
Wall Mount Installation Instructions

Step 1. Determine Location: Select appropriate location on wall. Consider cable routing and length.

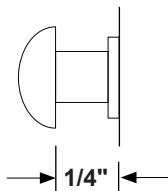
Step 2. Mark Hole Positions: Hold Wall Bracket in position and mark 4 hole positions with pencil.



Step 3a. Install Drywall Anchor: Install one drywall anchor at each hole mark. Using a #2 Phillips head screwdriver press the anchor into the drywall while turning clockwise until it is seated flush with the wall.

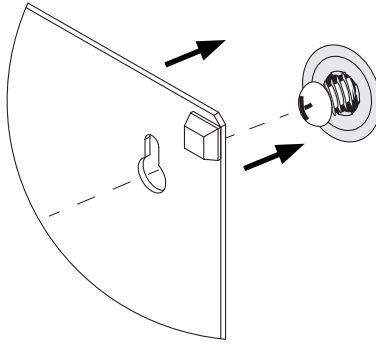


Step 3b. Install 4 Screws: Leave 1/4" of each screw out of wall.

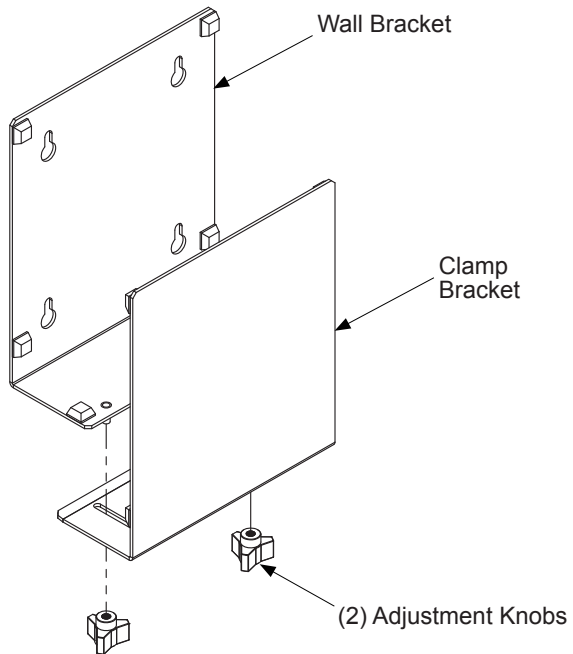


Installation Instructions

Step 4. Attach Wall Bracket: Attach Wall Bracket to wall using the 4 screws that were installed in 3b. Tighten Securely.



Step 5. Install Clamp Bracket: Slide Clamp Bracket onto the Wall Bracket then install the Adjustment Knobs as shown. Pull Clamp Bracket out from the wall as far as possible. Do not tighten the Adjustment Knobs at this time.





Boldly Creative



Expert Customer Service



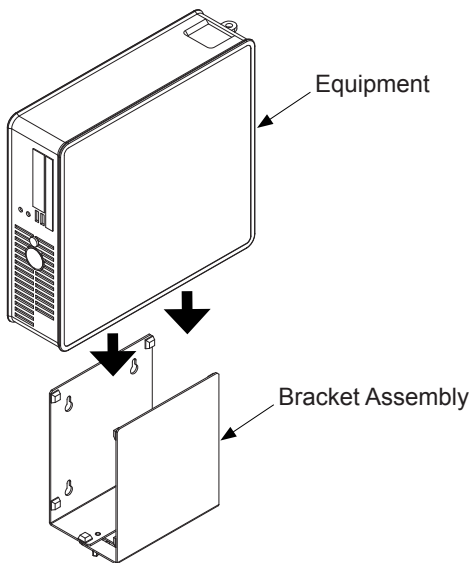
Focus On Quality



Ships Same Day

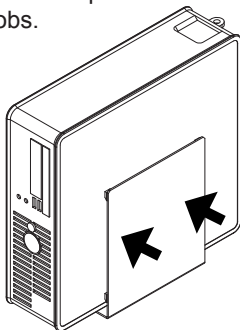
Installation Instructions

Step 6. Install Equipment: Slide equipment into Bracket Assembly as shown. See table below for minimum and maximum equipment widths.



P/N	Minimum	Maximum
104-2109	2.35"	4.00"
104-4010	4.00"	8.00"

Step 7. Secure Equipment: Push Clamp Bracket firmly against the equipment, then fully tighten Adjustment Knobs.



Warranty Statement

Innovation First, Inc. warrants our products against defects in material and workmanship for a period of one (1) year from the date of purchase. Innovation First, Inc. liability shall be limited to repairing or replacing, at our option, any defective product.

2109 4010