



Boldly Creative



Expert Customer Service



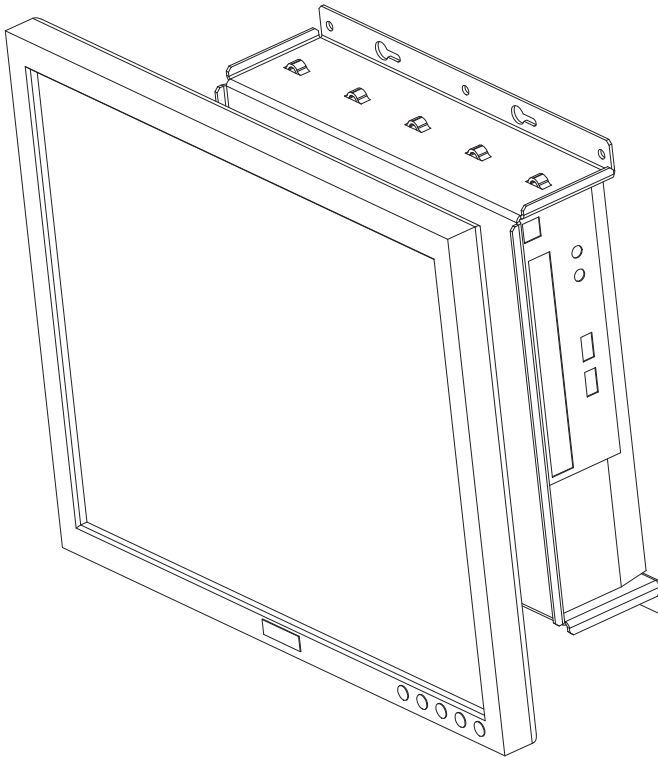
Focus On Quality



Ships Same Day

Patent(s) Pending

Dell Computer and Monitor SFF/USFF Wall Mount



Installation Instructions

Kit P/N: 104-1952

104-2095

Kit Contents

Assembly Components:

- (1) Main Bracket
- (1) Pivot Assembly

Wall Mount Hardware Package:

- (4) Pan Head Screws
- (4) Anchors

Monitor Hardware Package:

- (8) Nylon Spacers
- (5) M4 x 10mm Pan Head Screws
- (5) M4 x 18mm Pan Head Screws
- (5) M4 x 25mm Pan Head Screws

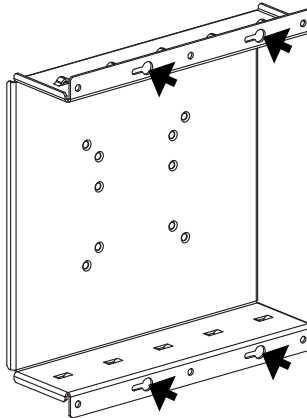
Pivot Hardware:

- (5) 8-32 Flat Head Screws

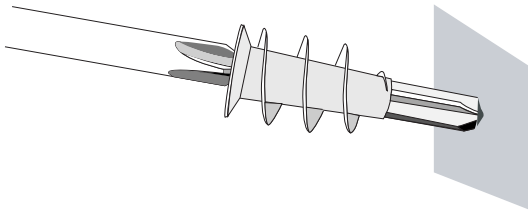
PC Wall Mount Installation Instructions

Step 1. Determine Location: Select appropriate location on wall. Consider cable routing and length.

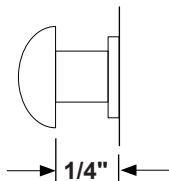
Step 2. Mark Hole Positions: Hold base in position and mark 4 hole positions with pencil.



Step 3a. Install Drywall Anchor: Install one drywall anchor at each hole mark. Using a #2 Phillips head screwdriver press the anchor into the drywall while turning clockwise until it is seated flush with the wall.



Step 3b. Install 4 Screws: Leave 1/4" of each screw out of wall.



Installation Instructions

- Step 4. VESA Monitor Bracket Attachment:** Turn the monitor face down on a large flat surface. Locate the four VESA mounting holes on the rear of the monitor.
- Determine if spacers are required:** Some monitors have a "recess" on the rear surface. Spacers are provided to fill this gap. See Table A for spacer length options.
 - Determine Screw Length:** Only use the metric M4 screws provided. Screw length is determined by the spacers used (see Table A).

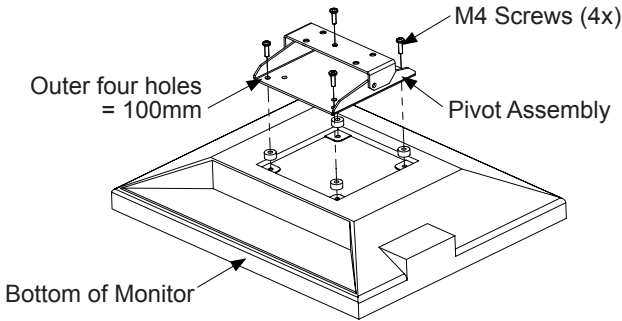
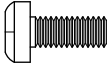


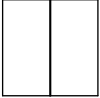



Table A

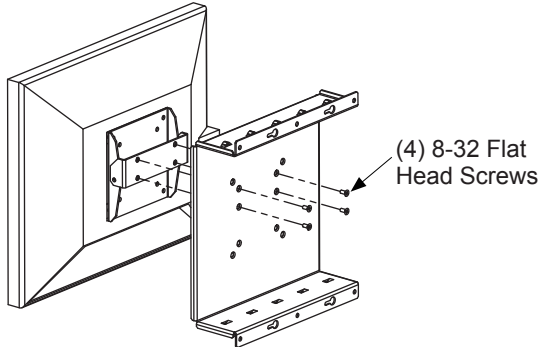
Recess Depth	Spacer	Screw
0	No Spacer Needed	10mm 
.250 (1/4)		18mm 
.500 (1/2)		25mm 

Screws and Spacers are Shown to Scale

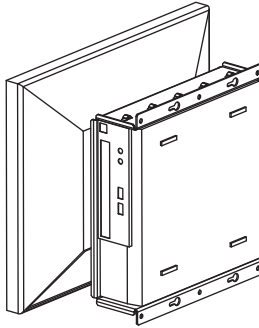


Installation Instructions

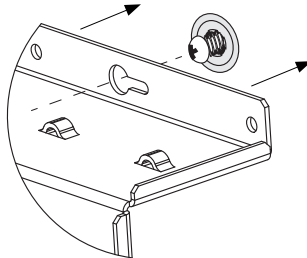
Step 5. Assembly: Remove main Bracket if it is attached to the wall before continuing with this step. The monitor can be mounted at different heights depending on your application. Mount the monitor assembly through the Main Bracket using the included screws.



Step 6. Computer Attachment: Slide computer into Main Bracket as shown.



Step 7. Attach Mount Base: Attach base to wall using the 4 screws that were installed in 3b. Tighten Securely.



Warranty Statement

Innovation First, Inc. warrants our products against defects in material and workmanship for a period of one (1) year from the date of purchase. Innovation First, Inc. liability shall be limited to repairing or replacing, at our option, any defective product.

1952 2095