



Boldly Creative



Expert Customer Service



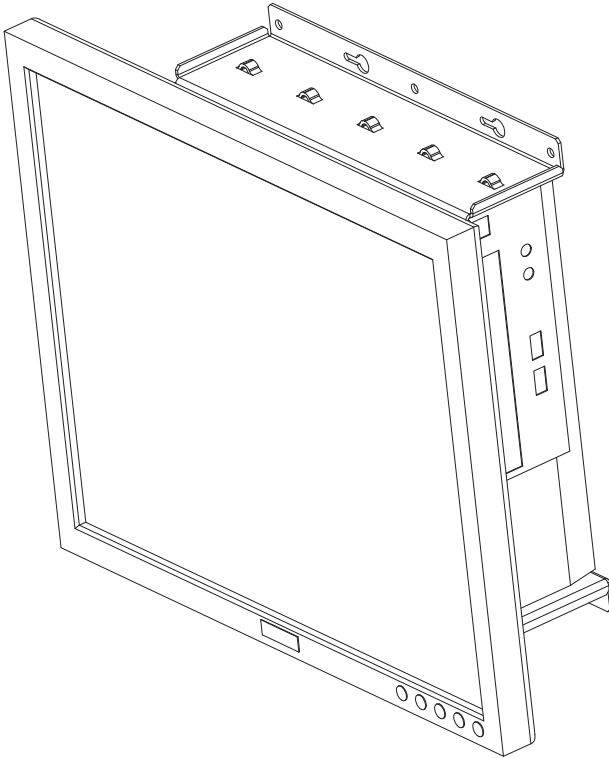
Focus On Quality



Ships Same Day

Patent(s) Pending

Dell Computer and Monitor SFF/USFF Wall Mount



Installation Instructions

Kit P/N: 104-1965

104-2094

Kit Contents

Assembly Components:

(1) Main Bracket

Monitor Hardware Package:

(8) Nylon Spacers

(5) M4 x 10mm Flat Head Screws

(5) M4 x 12mm Flat Head Screws

(5) M4 x 20mm Flat Head Screws

Wall Mount Hardware Package:

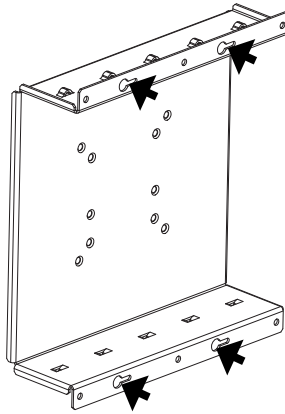
(4) Pan Head Screws

(4) Anchors

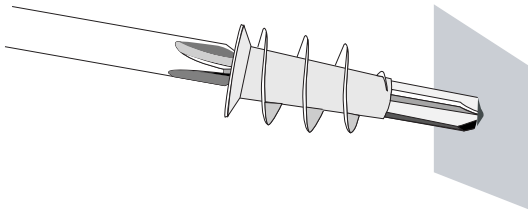
PC Wall Mount Installation Instructions

Step 1. Determine Location: Select appropriate location on wall. Consider cable routing and length.

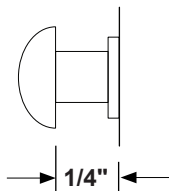
Step 2. Mark Hole Positions: Hold base in position and mark 4 hole positions with pencil.



Step 3a. Install Drywall Anchor: Install one drywall anchor at each hole mark. Using a #2 Phillips head screwdriver press the anchor into the drywall while turning clockwise until it is seated flush with the wall.



Step 3b. Install 4 Screws: Leave 1/4" of each screw out of wall.



Installation Instructions

- Step 4. Monitor Attachment:** Turn the monitor face down on a large flat surface. Locate the four VESA mounting holes on the rear of the monitor.
- Determine if spacers are required:** Some monitors have a "recess" on the rear surface. Spacers are provided to fill this gap. See Table A for spacer length options.
 - Determine Screw Length:** Only use the metric M4 screws provided. Screw length is determined by the spacers used (see Table A).

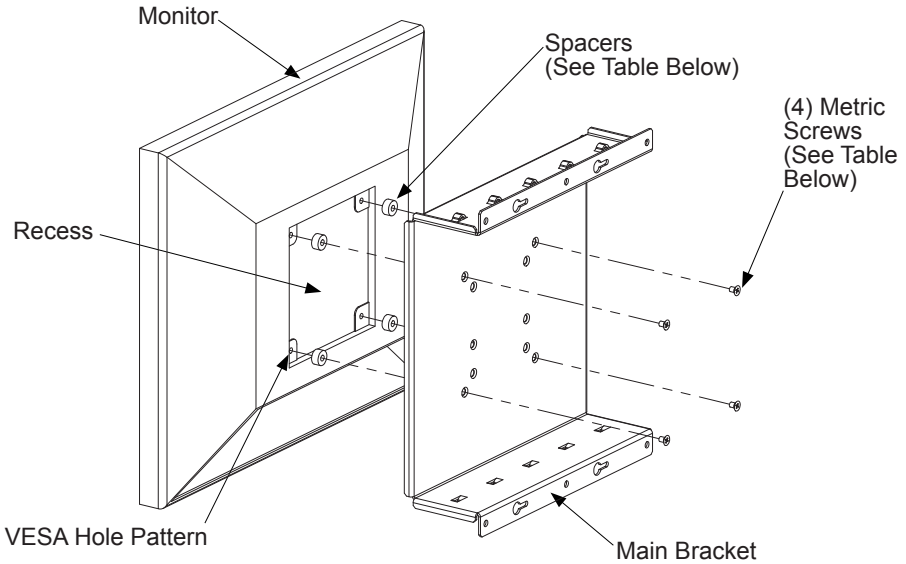
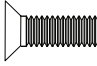


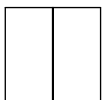



Table A

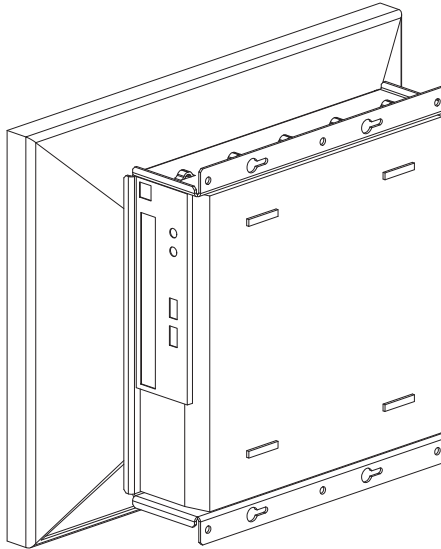
Recess Depth	Spacer	Screw
0	No Spacer Needed	10mm 
.250 (1/4)		12mm 
.500 (1/2)		20mm 

Screws and Spacers are Shown to Scale

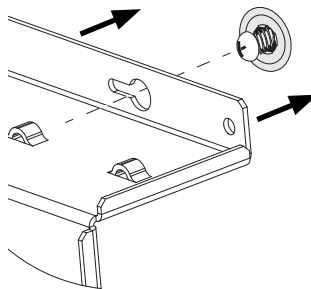


Installation Instructions

Step 5. Computer Attachment: Slide computer into Main Bracket as shown.



Step 6. Attach Mount Base: Attach base to wall using the 4 screws that were installed in 3b. Tighten Securely.



Warranty Statement

Innovation First, Inc. warrants our products against defects in material and workmanship for a period of one (1) year from the date of purchase. Innovation First, Inc. liability shall be limited to repairing or replacing, at our option, any defective product.

1965 2094