



*Boldly Creative*



*Expert Customer Service*



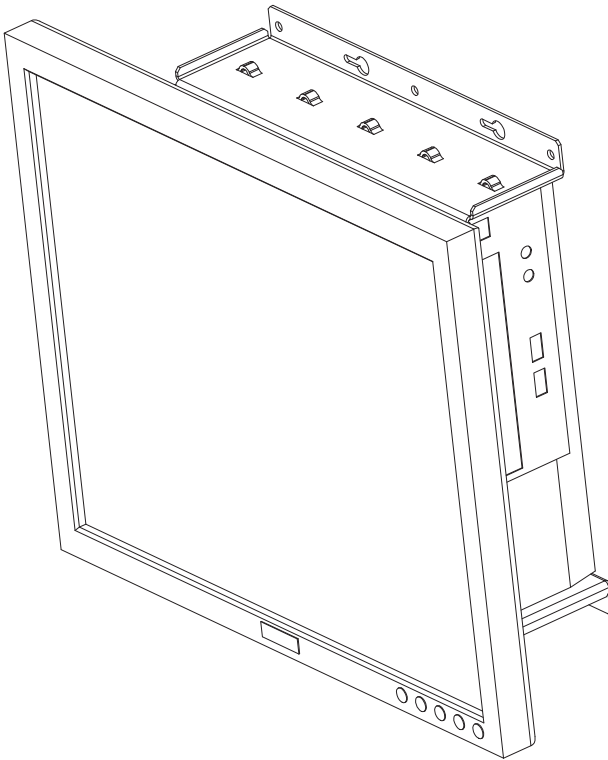
*Focus On Quality*



*Ships Same Day*

Patent(s) Pending

## Dell Computer and Monitor USFF Wall Mount



Installation Instructions

Kit P/N: 104-1965

# Kit Contents

## Assembly Components:

(1) Main Bracket

## Monitor Hardware Package:

(8) Nylon Spacers

(5) M4 x 10mm Flat Head Screws

(5) M4 x 12mm Flat Head Screws

(5) M4 x 20mm Flat Head Screws

## Wall Mount Hardware Package:

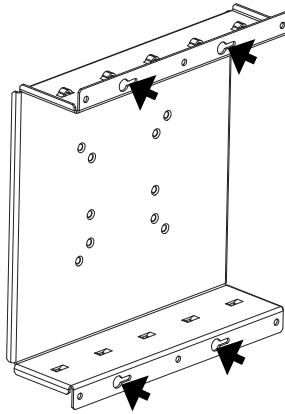
(4) Pan Head Screws

(4) Anchors

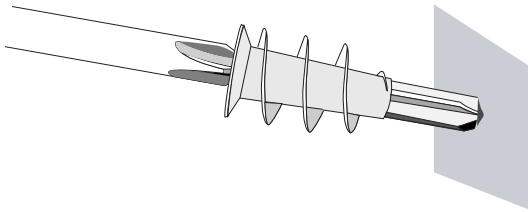
# PC Wall Mount Installation Instructions

**Step 1.** Determine Location: Select appropriate location on wall. Consider cable routing and length.

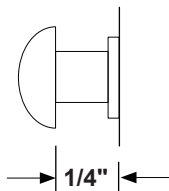
**Step 2.** Mark Hole Positions: Hold base in position and mark 4 hole positions with pencil.



**Step 3a.** Install Drywall Anchor: Install one drywall anchor at each hole mark. Using a #2 Phillips head screwdriver press the anchor into the drywall while turning clockwise until it is seated flush with the wall.

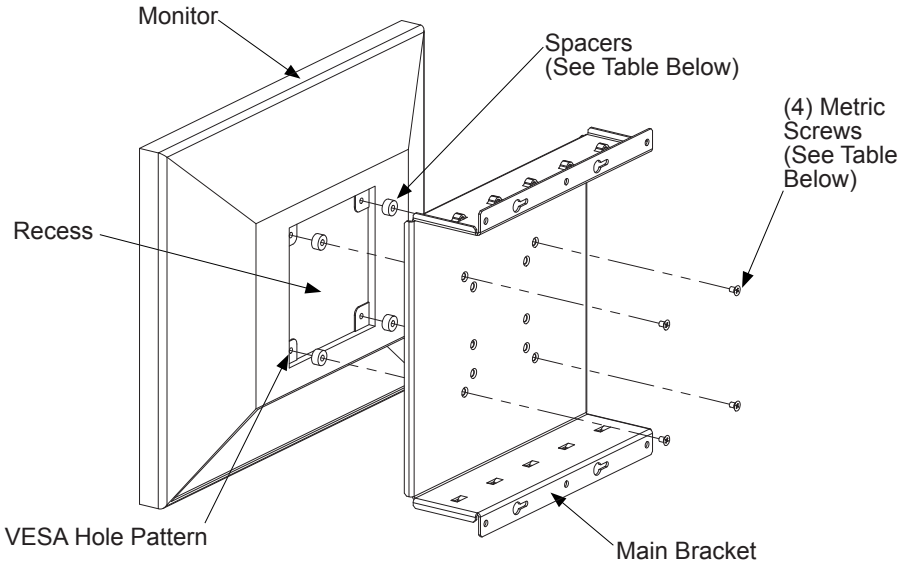


**Step 3b.** Install 4 Screws: Leave 1/4" of each screw out of wall.

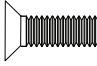


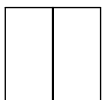



# Installation Instructions

- Step 4. Monitor Attachment:** Turn the monitor face down on a large flat surface. Locate the four VESA mounting holes on the rear of the monitor.
- Determine if spacers are required:** Some monitors have a "recess" on the rear surface. Spacers are provided to fill this gap. See Table A for spacer length options.
  - Determine Screw Length:** Only use the metric M4 screws provided. Screw length is determined by the spacers used (see Table A).



**Table A**

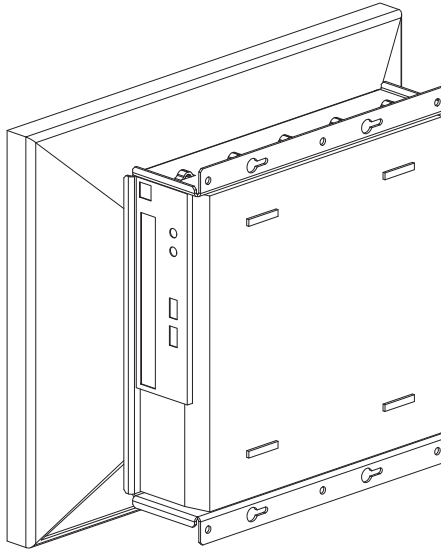
Recess Depth	Spacer	Screw
0	No Spacer Needed	10mm 
.250 (1/4)		12mm 
.500 (1/2)		20mm 

**Screws and Spacers are Shown to Scale**

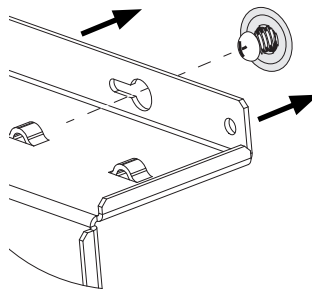


## Installation Instructions

**Step 5.** Computer Attachment: Slide computer into Main Bracket as shown.



**Step 6.** Attach Mount Base: Attach base to wall using the 4 screws that were installed in 3b. Tighten Securely.



### Warranty Statement

Innovation First, Inc. warrants our products against defects in material and workmanship for a period of one (1) year from the date of purchase. Innovation First, Inc. liability shall be limited to repairing or replacing, at our option, any defective product.

**1965**