



Boldly Creative



Expert Customer Service

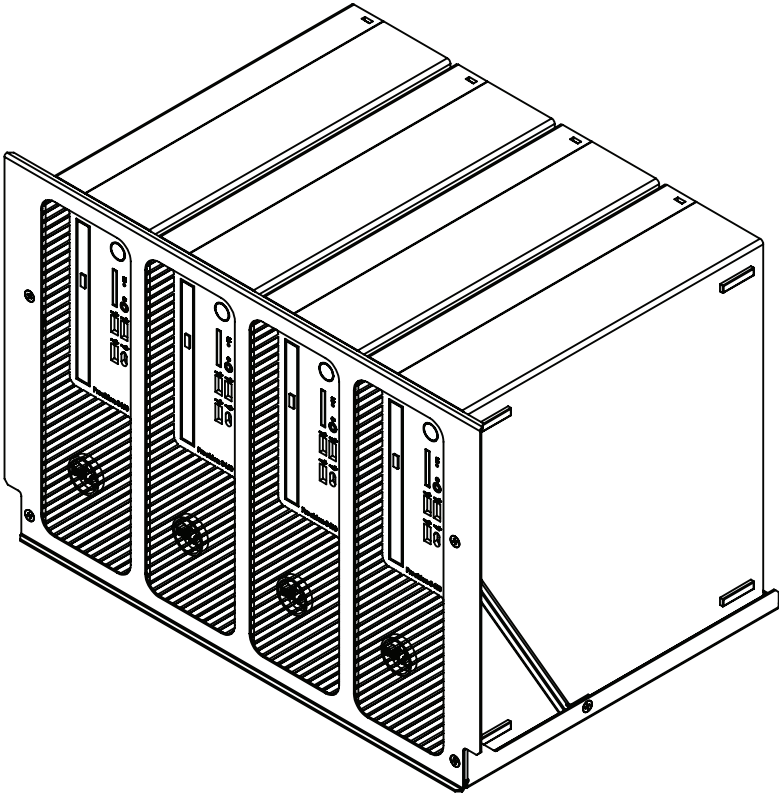


Focus On Quality



Ships Same Day

4-Unit Dell Precision 3460 SFF Face Plate/Bracket Set for Modular Shelf



Installation Instructions

Kit P/N: 101-9113

Kit Contents

Kit Contents:

- (1) Base Plate
- (1) Face Plate
- (2) Side Support Bracket (Left & Right)

Mounting Hardware:

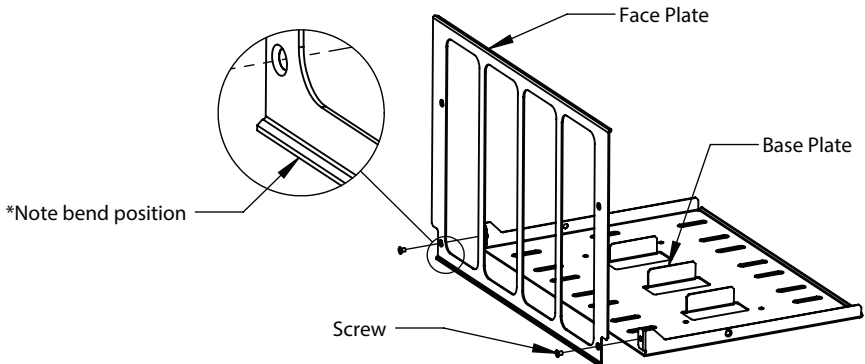
- (4) #8-32 Keps Nut

Bracket Hardware:

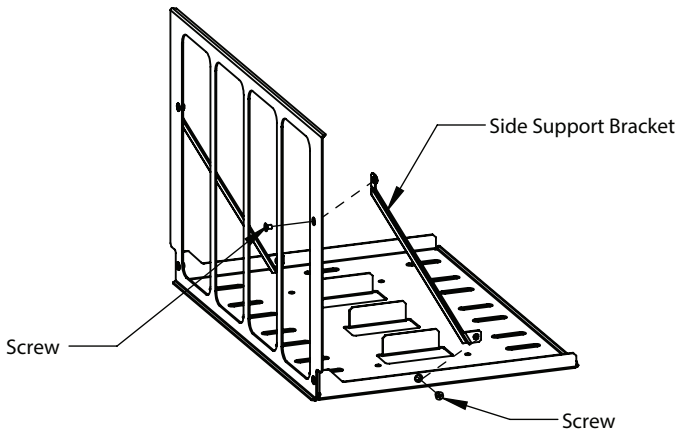
- (6) #8-32 x .250" Flat Head Screw

Installation Instructions

Step 1 Attach Face Plate to Base Plate: Screw the two plates together using (2) of the provided #8 screws. Ensure the bend at the bottom of the face plate is positioned in the opposite direction of the base plate for proper assembly orientation.

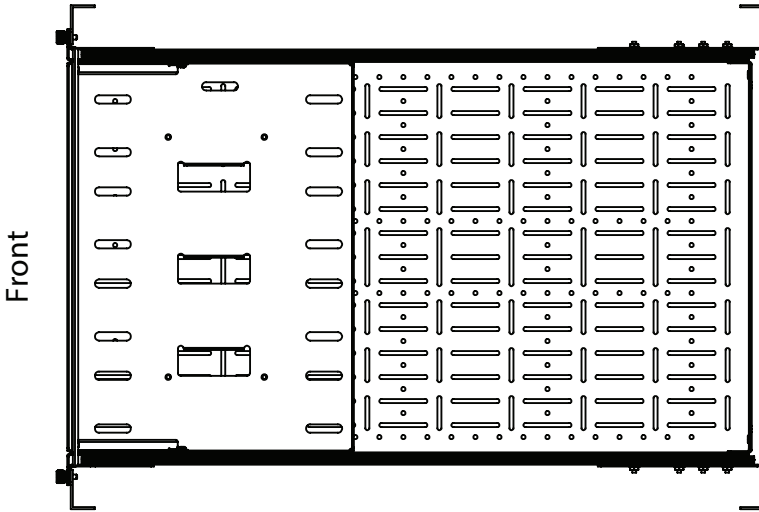


Step 2 Attach Side Brackets: Attach the two Side Support Brackets as shown below using (4) of the provided #8 screws.

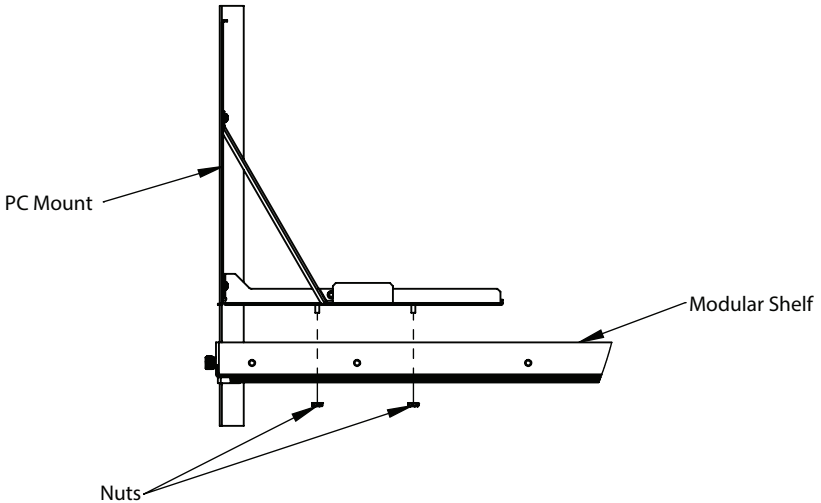


Installation Instructions

Step 3 Mount the Bracket Set: Install the Bracket Set along the slot pattern of the shelf. It is recommended to mount it in the frontmost position on the shelf.

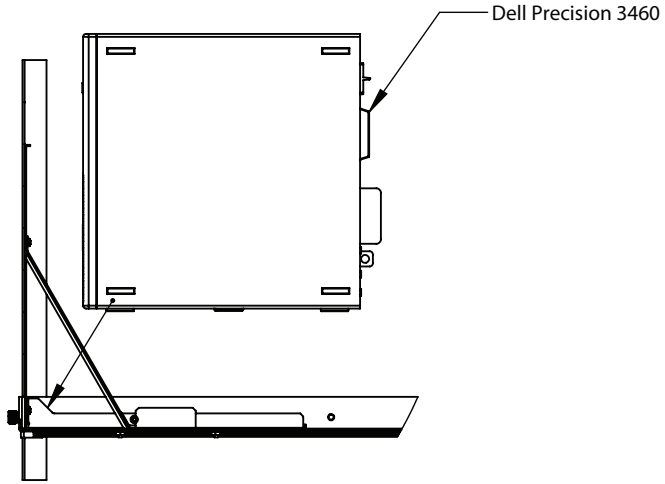


Step 4 Fasten the Bracket Set: Fasten the Bracket Set to the Modular Shelf with the (4) included nuts, as shown below.



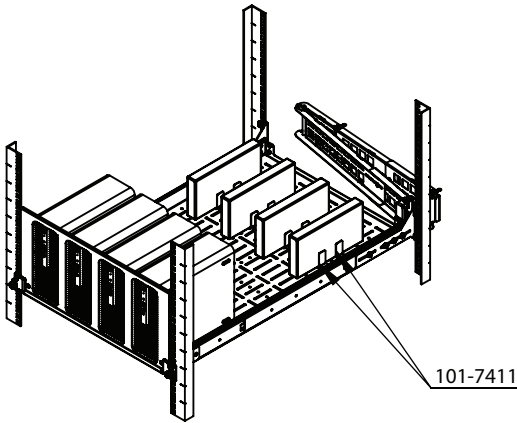
Installation Instructions

Step 5 Mount Devices to the Bracket Set: Slide the devices in between the gaps on the bracket set. Ensure the feet of each device are set into their placement cut-outs.



Appendix

Example Bracket Configuration:



Optional

Utilize our 101-7411 (Universal L-Bracket 4-Pack for Modular Shelf)
to mount the devices power supply to the shelf

Warranty Statement

Innovation First, Inc. warrants our products against defects in material and workmanship for a period of one (1) year from the date of purchase. Innovation First, Inc. liability shall be limited to repairing or replacing, at our option, any defective product.