



*Boldly Creative*



*Expert Customer Service*

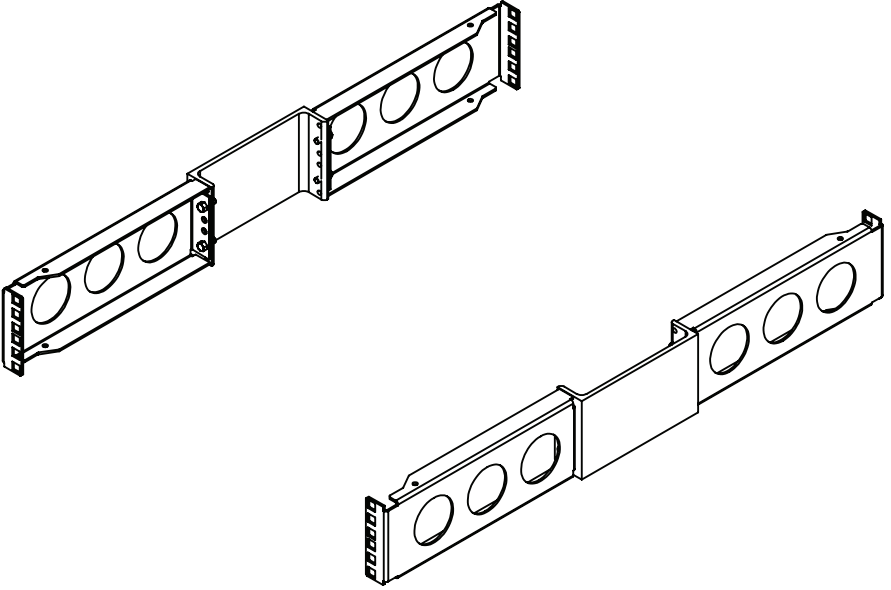


*Focus On Quality*



*Ships Same Day*

## 2U 2Post Conversion Brackets (6in)



Installation Instructions

Kit P/N: 101-9111

# Kit Contents

---

## Four (4) Conversion Brackets

## Equipment Install Hardware Kit

(10) M6x0.1mm Pan Head Screws

(12) M6x0.1mm Cage Nut

## Bracket to Rack Hardware Kit

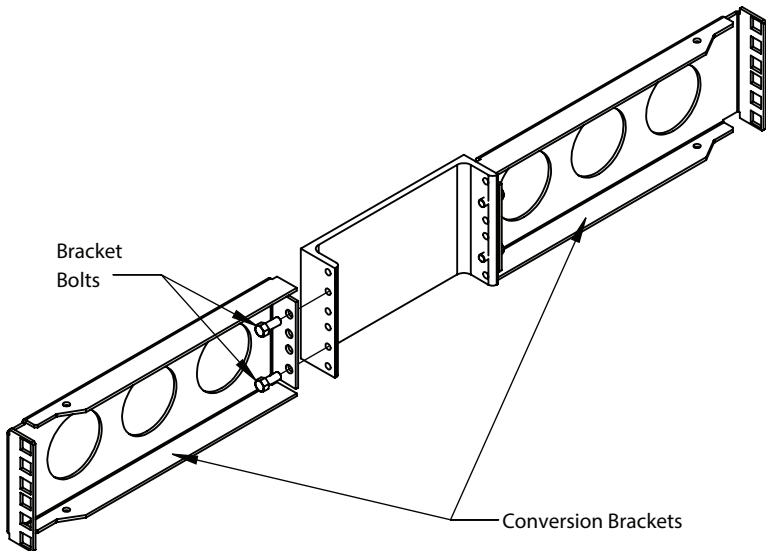
(16) 12-24 Slotted Hex Bolts

# Installation Instructions

---

Step 1 Attach Brackets : Determine the location of the equipment in the rack. Screw the (4) brackets to the rack using 12-24 Slotted Hex Bolts. The four brackets are identical. Ensure the bolts attach the bracket tightly to the rack.

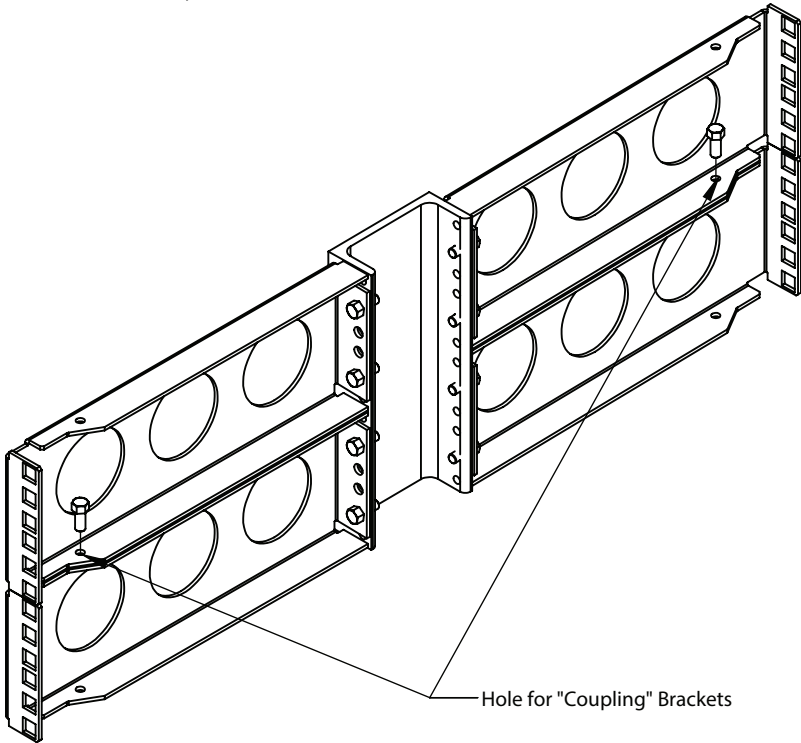
For a 2U installation, screw 1 Bolt in the Top Hole of the bracket and 1 Bolt in the Bottom Hole of the bracket.



# Installation Instructions - Rack Front

If there are multiple servers stacked vertically, follow step 2 below.

Step 2. **Bracket Coupling:** Install 12-24 Slotted Hex Bolts at the locations shown below to "Couple" the brackets. Bolts may be installed from the top or bottom. Repeat for each nearby bracket.



Step 3. **Equipment Installation :** This 2Post Conversion kit creates a standard depth 4 Post rack. Equipment designed for square holes will typically install without issues. Use the provided Cage Nuts and screws when threaded holes are required.

#### Warranty Statement

Innovation First, Inc. warrants our products against defects in material and workmanship for a period of one (1) year from the date of purchase. Innovation First, Inc. liability shall be limited to repairing or replacing, at our option, any defective product.

9111