



*Boldly Creative*



*Expert Customer Service*



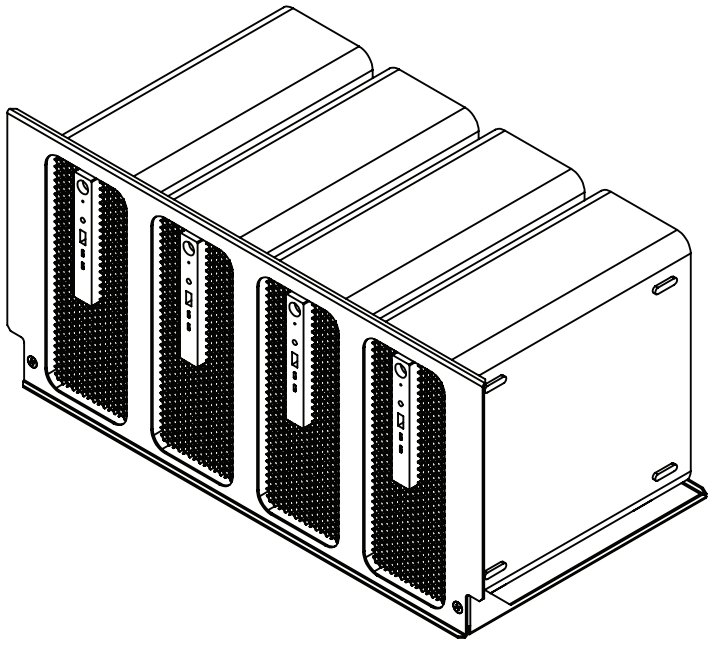
*Focus On Quality*



*Ships Same Day*

# Modular Device Testing Shelf Device Brackets

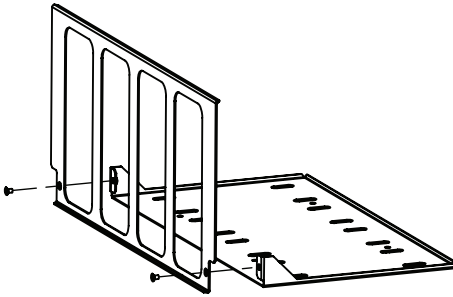
## Installation Instructions



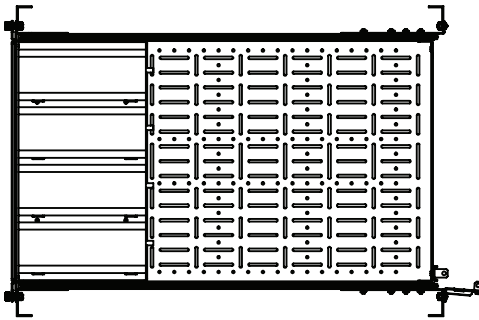
# Bracket Installation Instructions

---

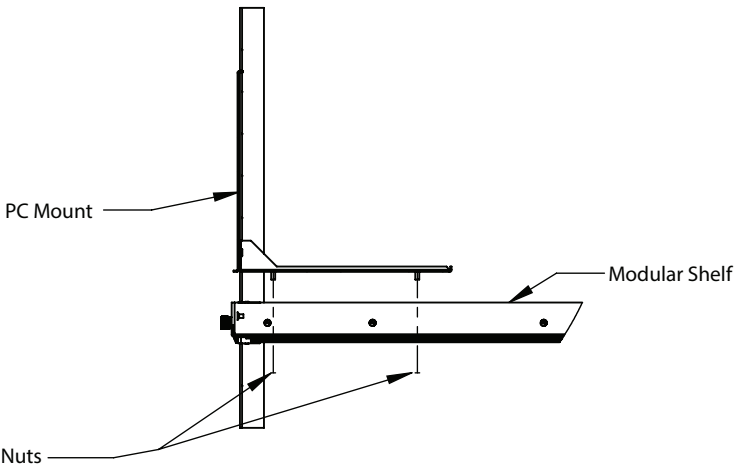
Step 1 Screw together the two plates to create the bracket, as shown below.



Step 2 Install brackets along the slot pattern of the shelf. Its recommended to mount the bracket in the frontmost position on the shelf.



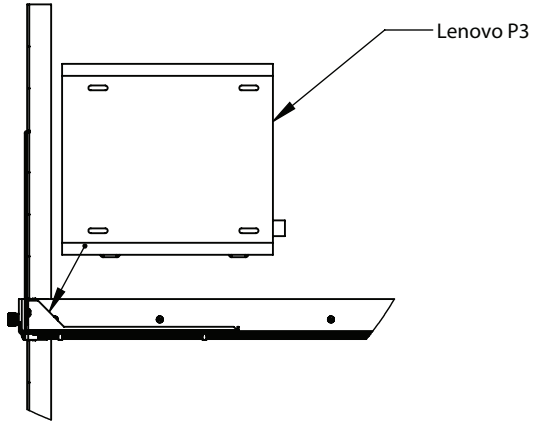
Step 3 Fasten bracket with included nuts, as shown below.



# Bracket Installation Instructions

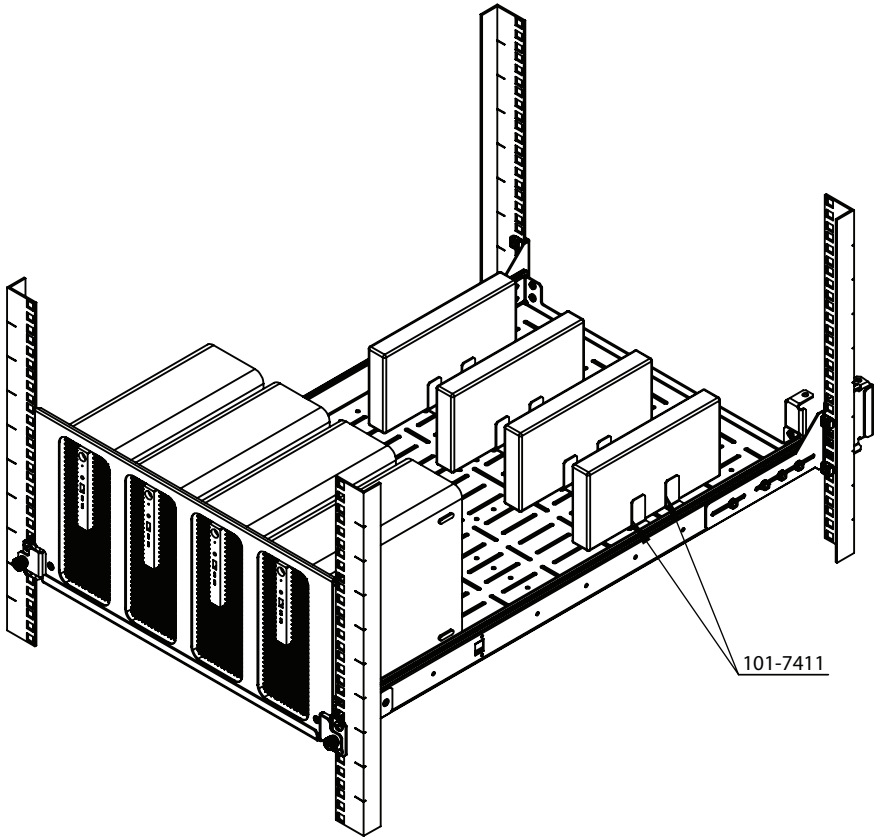
---

Step 4 Slide devices into bracket.



# Appendix

Lenovo P3 Bracket Configuration:



\*Optional\*

Utilize our 101-7411 (Universal L-Bracket 4-Pack for Modular Shelf)  
to mount the devices power supply to the shelf



**Boldly Creative**



**Expert Customer Service**



**Focus On Quality**



**Ships Same Day**

## You're going to ♥ working with us Global company - small town service

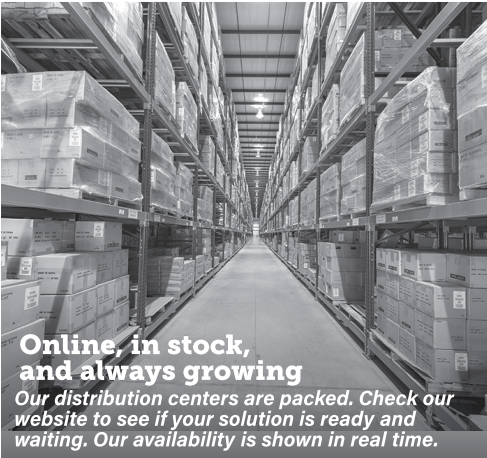
### Custom Engineering

*Our top notch (in-house) mechanical and electrical engineers are available to solve your toughest custom design challenges.*



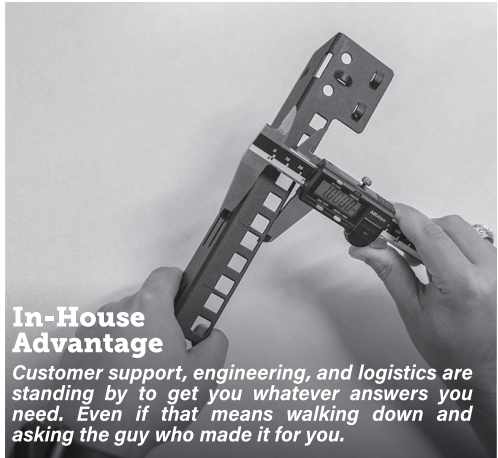
### On-Site Manufacturing

*Our manufacturing facility is on-site at our Texas headquarters. If we send them a drawing in the morning, we can have parts ready to ship-out that evening.*



### Online, in stock, and always growing

*Our distribution centers are packed. Check our website to see if your solution is ready and waiting. Our availability is shown in real time.*



### In-House Advantage

*Customer support, engineering, and logistics are standing by to get you whatever answers you need. Even if that means walking down and asking the guy who made it for you.*

#### Warranty Statement

Innovation First, Inc. warrants our products against defects in material and workmanship for a period of one (1) year from the date of purchase. Innovation First, Inc. liability shall be limited to repairing or replacing, at our option, any defective product.

9075

9076

9077