



Boldly Creative



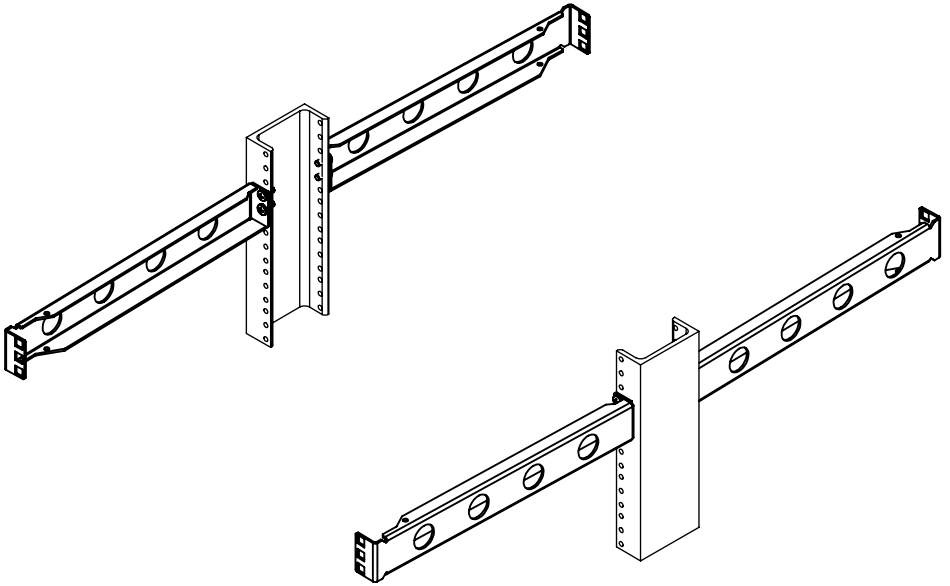
Expert Customer Service



Focus On Quality



Ships Same Day



1U 2Post Conversion Brackets

Installation Instructions

Kit P/N: 101-6883

Kit Contents

6883 Kit

- (2) Left 1U Conversion Brackets (13" Long)
- (2) Right 1U Conversion Brackets (13" Long)

Rack Hardware Kit

- (9) 10-32 Phillips Head Screws
- (9) 12-24 Phillips Head Screws
- (9) M6 Phillips Head Screws

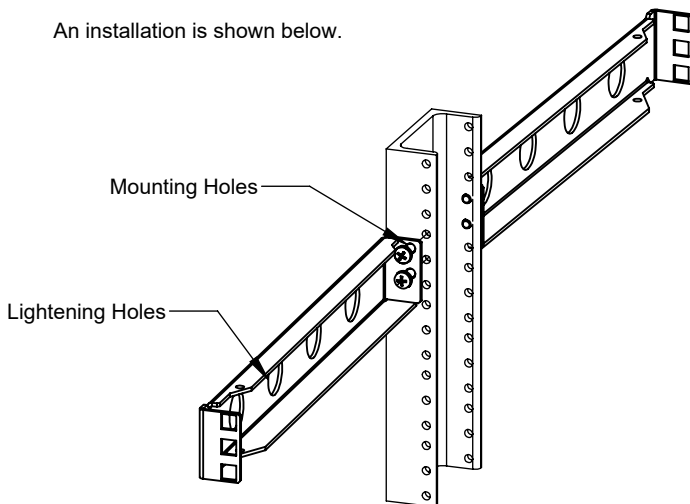
Bracket Hardware Kit

- (13) 12-24 Phillips Head Screws
- (13) 12-24 Cage Nut

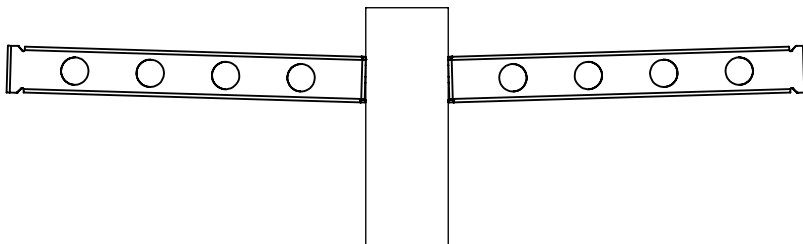
4Post Installation Instructions

- Step 1** Attach Brackets: Determine the location of the equipment in the rack. Screw the (4) brackets to the rack using the appropriate screws from the Rack Hardware Kit. The four brackets are oriented with the two mounting holes facing up and the four lightening holes facing out. Ensure the bolts attach the bracket tightly to the rack.

An installation is shown below.



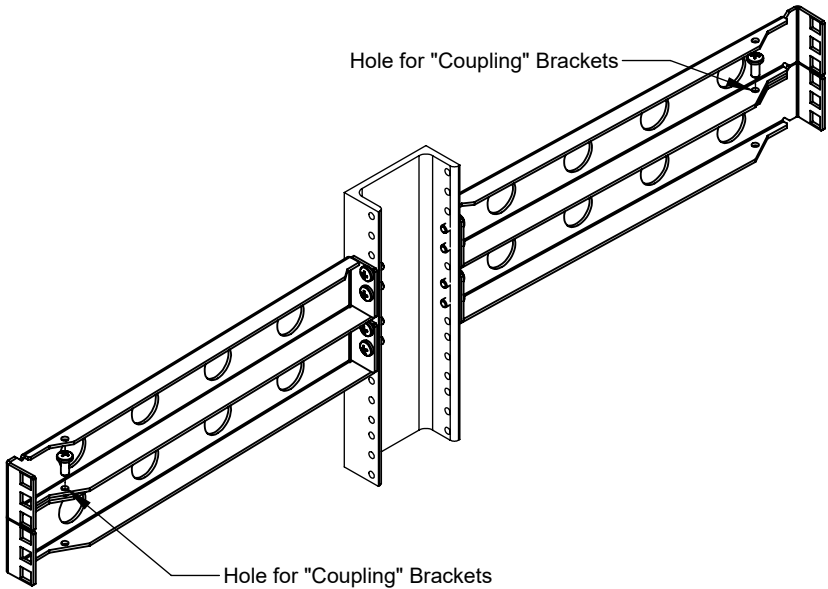
- Step 2** Check for Bracket Pretension: Make sure the brackets are attached correctly such that the slight upward tilt is present. This allows for greater weight capacity.



Installation Instructions

If there are multiple servers stacked vertically, follow step 3 below.

Step 3 Bracket Coupling: Install 12-24 Slotted Hex Bolts at the location shown below to "Couple" the brackets. Bolts may be installed from the top or bottom.



Step 4 Equipment Installation: This 2Post Conversion kit creates a standard depth 4 Post rack. Equipment designed for square holes will typically install without issues. Use the provided cage nuts and screws from the Bracket Hardware Kit when threaded holes are required.

For equipment compatibility information, refer to the following sites:

- | | |
|--|-----------------------|
| www.RackSolutions.com | (Dell equipment) |
| www.RackSolutions.com/hp | (HP-compaq equipment) |
| www.RackSolutions.com/ibm | (IBM equipment) |



Boldly Creative



Expert Customer Service



Focus On Quality



Ships Same Day

Warranty Statement

Innovation First, Inc. warrants our products against defects in material and workmanship for a period of one (1) year from the date of purchase. Innovation First, Inc. liability shall be limited to repairing or replacing, at our option, any defective product.

6883