



*Boldly Creative*



*Expert Customer Service*



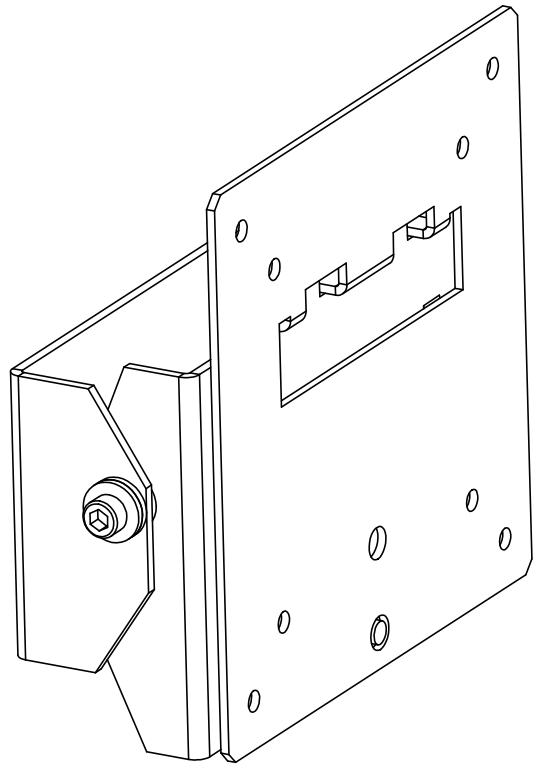
*Focus On Quality*



*Ships Same Day*

Patent(s) Pending

## Tilt Monitor Bracket



### Installation Instructions

Kit P/N: 101-5483

# Kit Contents

---

## Kit Contents:

- (1) VESA Bracket Plate
- (1) Pivot Bracket

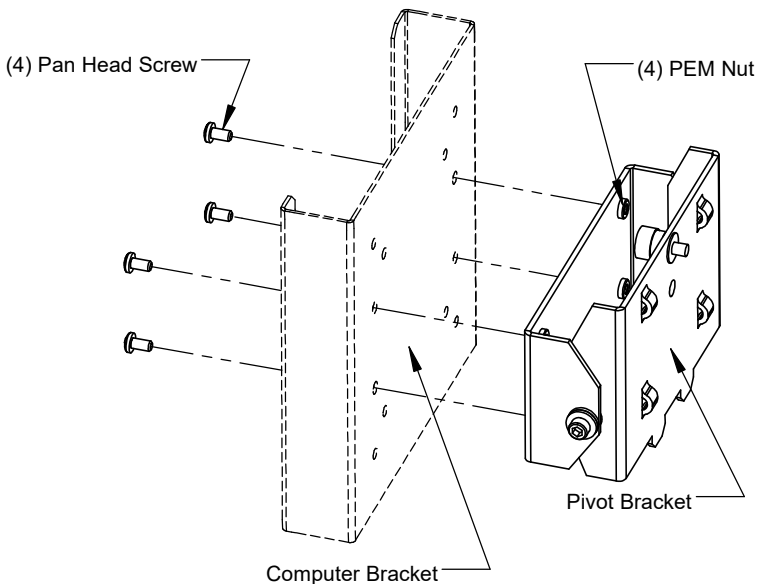
## Mounting Hardware:

- (4) 8-32 x .375 Pan Head Screw
- (8) Spacers
- (4) M4 x 0.7 x 10mm Pan Head Screws
- (4) M4 x 0.7 x 18mm Pan Head Screws
- (4) M4 x 0.7 x 25mm Pan Head Screws

# Tilt Monitor Bracket Installation Instructions

---

**Step 1** Pivot Mount Bracket Attachment: Insert 0.375" Pan Head Screws through the four mounting holes on your Computer Bracket (as shown below). Locate the PEM Nuts on the inner side of Pivot Monitor Bracket. Fasten the Pan Head Screws to the PEM Nuts.



**Step 2** Choosing spacer/screw size: Turn the monitor face down on a large flat surface. Locate the four VESA mounting holes on the rear of the monitor.

A. Determine if spacers are required: Some monitors have a "recess" on the rear surface. Spacers are provided to fill this gap. See Table A for spacer length options.

B. Determine screw length: Only use the metric M4 screws provided. Screw length is determined by the spacers used (see Table A)

## 4Post Installation Instructions

**Step 3** VESA Bracket Plate/ Monitor Attachment: Locate the VESA Bracket Plate. Insert (4) appropriate screws (Step 2) into the outer holes. Install the screws to the four VESA mounting holes.

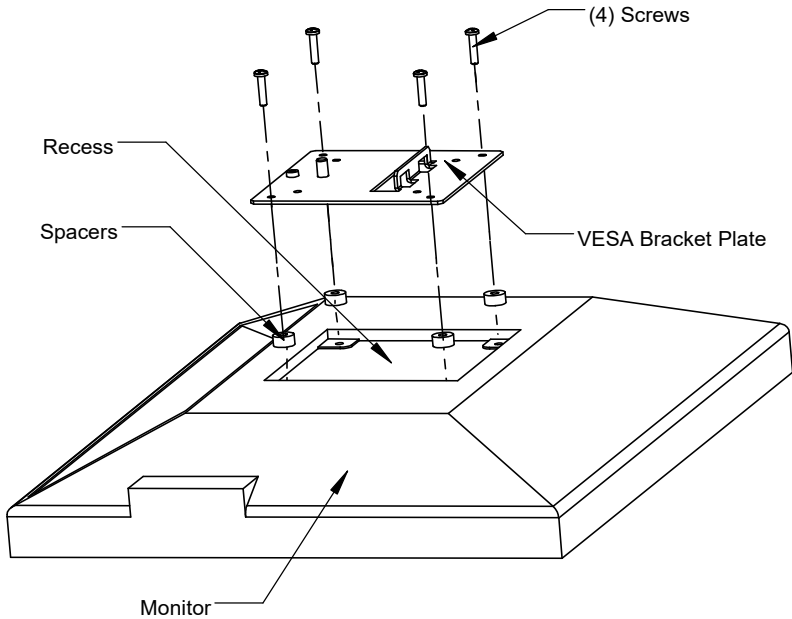
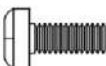


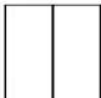



Table A

Recess Depth	Spacer	Screw
0	No Spacer Needed	 10mm
.250 (1/4)		 18mm
.500 (1/2)		 25mm

Screws and Spacers are Shown to Scale



*Boldly Creative*



*Expert Customer Service*

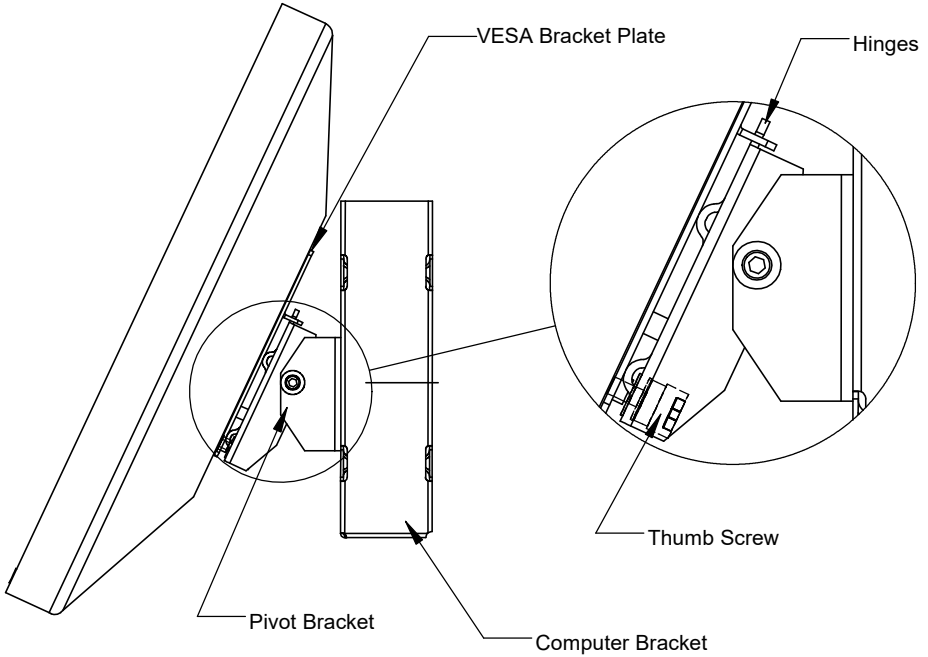


*Focus On Quality*



*Ships Same Day*

**Step 4.** VESA Bracket Plate/Pivot Bracket Attachment: Clip the VESA Bracket Plate to the Pivot Bracket using the hinges (refer to the picture below). Secure by tightening thumb screw.



#### Warranty Statement

Innovation First, Inc. warrants our products against defects in material and workmanship for a period of one (1) year from the date of purchase. Innovation First, Inc. liability shall be limited to repairing or replacing, at our option, any defective product.

**5483**