



Boldly Creative



Expert Customer Service



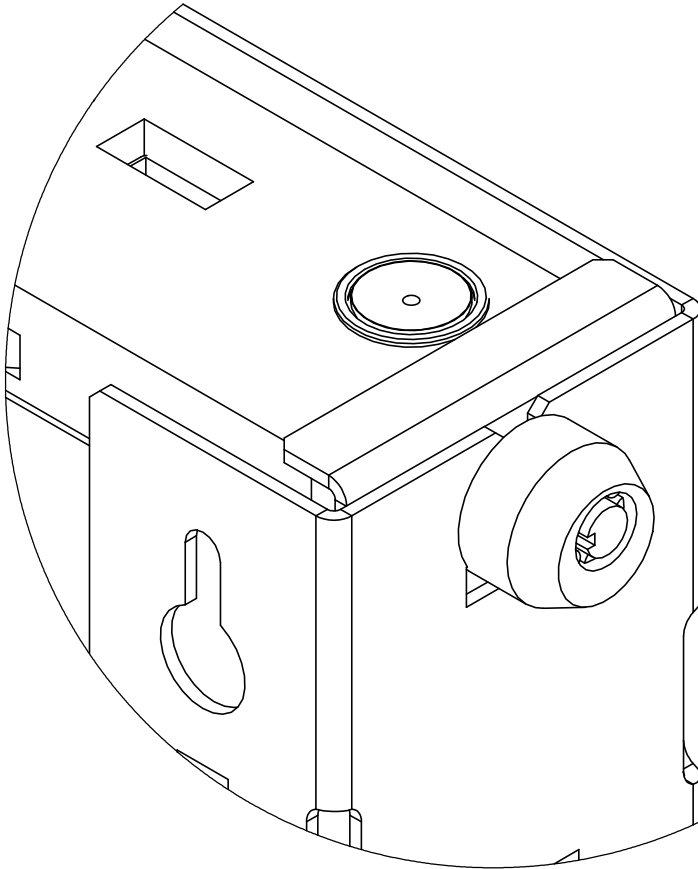
Focus On Quality



Ships Same Day

Patent(s) Pending

Locking Bracket, Lenovo Think Centre M93p



Installation Instructions

Kit P/N: 101-5205

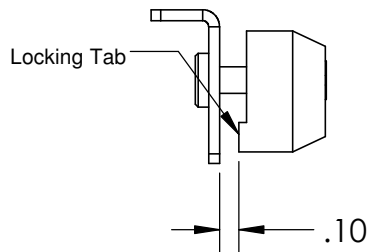
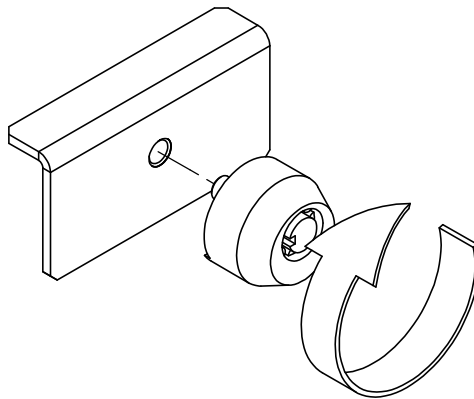
Kit Contents

Kit Contents:

- (1) Locking Bracket
- (1) Security Lock
- (1) Security Lock Key

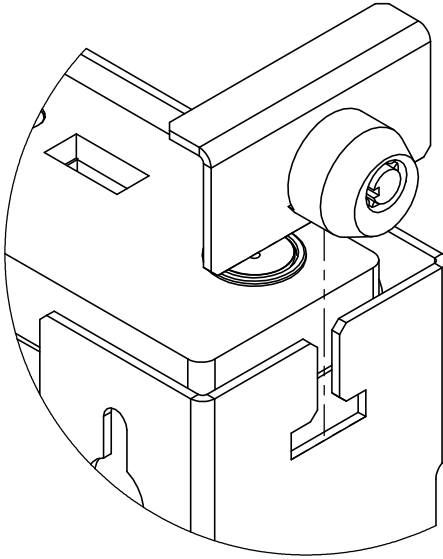
Locking Instructions

Step 1 Prepare Locking Bracket: Insert Security Lock into Locking Bracket and rotate clockwise until there is about 0.1" gap between the lock and the bracket. Make sure the locking tab is positioned as shown.

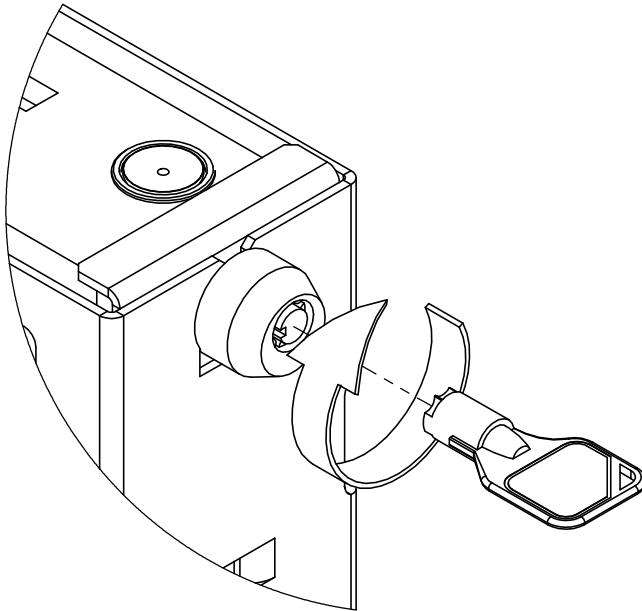


Locking Instructions

Step 2 Insert locking bracket into wall mount, as shown below.



Step # Insert Lock Key and rotate counterclockwise until the bracket is secured.





Boldly Creative



Expert Customer Service



Focus On Quality



Ships Same Day

Warranty Statement

Innovation First, Inc. warrants our products against defects in material and workmanship for a period of one (1) year from the date of purchase. Innovation First, Inc. liability shall be limited to repairing or replacing, at our option, any defective product.

5205