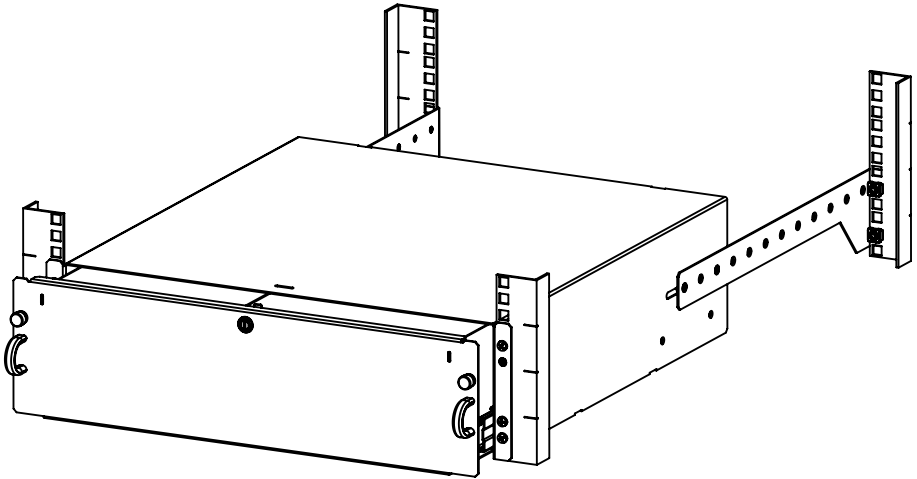




Support Bracket Kit for 2U, 3U, 4U Rack Mount Storage Box



Installation Instructions

Kit P/N: 101-5195

Kit Contents

Kit Contents:

(2) Rear Bracket

Rear Bracket Hardware:

(4) 8-32 x .375 Flat Head Screw

(4) 8-32 Shoulder Nut

Rear Rack Mount Hardware:

(4) 10-32 x .500 Pan Head Screw

(4) 12-24 x .500 Pan Head Screw

(4) 12-24 x Square Nut

(4) 12-24 x Cage Nut

Rear Bracket Installation Instructions

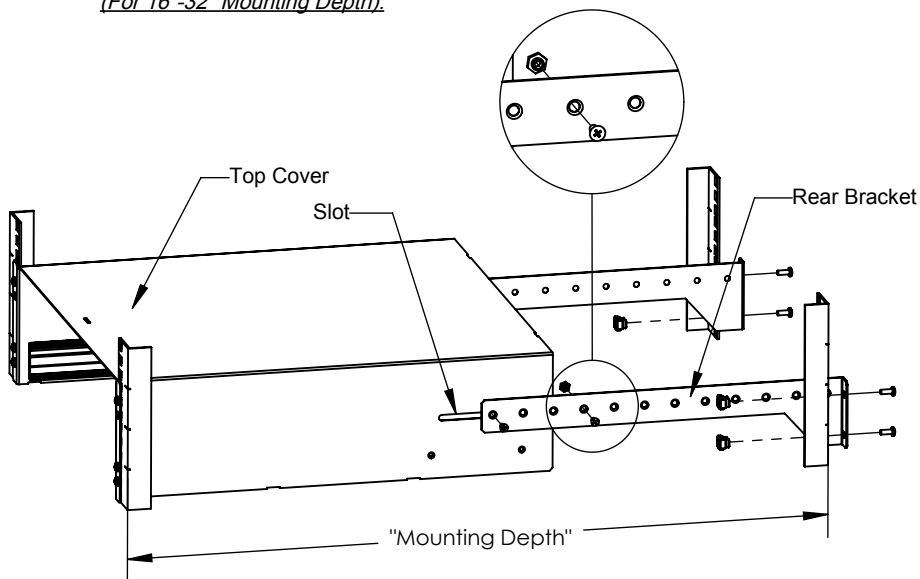
Step 1 Slide Drawer: Pull the drawer out in order to gain access to the rear of the Top Cover.

Note: For Storage Box installation, refer to the 160-5030/160-5031/160-5032 installation guides.

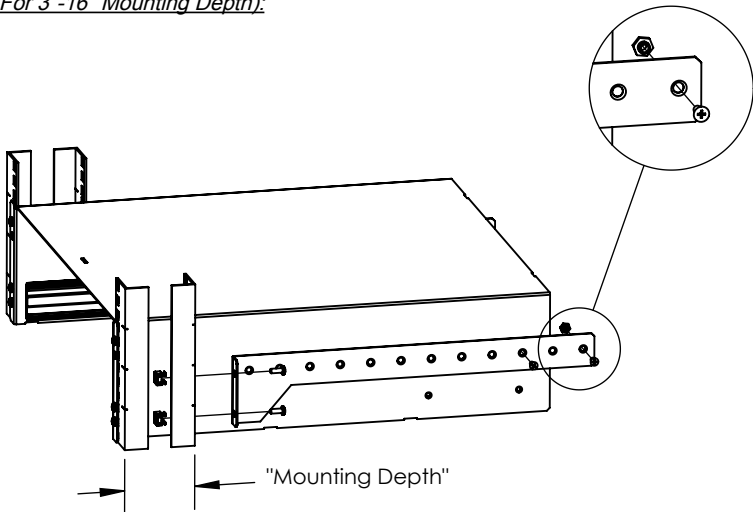
Step 2 Attach Rear Brackets: Install 8-32 Flat Head Screws and Shoulder Nuts through the Rear Bracket as shown below. For maximum support, ensure the slot (located on the Top Cover) contains at least two screws. Slide the Rear Bracket through the slot. Install Rear Bracket to the rack using the Rack Mount hardwares. Repeat for the other side.

(Refer to the "Rack Mount Hardware" section to determine the appropriate screws and nuts).

(For 16"-32" Mounting Depth):



(For 3"-16" Mounting Depth):



Rack Mount Hardware

The Rack Hardware kit provides various screws and nuts for the four most common types of racks:

Square Hole Racks: Install the Cage Nuts in the appropriate positions. Attach with the larger 12-24 Screws.

Round Hole Racks (non-threaded): Install the Square Nuts in the appropriate positions. Attach with the larger 12-24 Screws.

12-24 Threaded Racks: Attach with the larger 12-24 Screws.

10-32 Threaded Racks: Attach with the smaller 10-32 Screws.



Boldly Creative



Expert Customer Service



Focus On Quality



Ships Same Day

Warranty Statement

Innovation First, Inc. warrants our products against defects in material and workmanship for a period of one (1) year from the date of purchase. Innovation First, Inc. liability shall be limited to repairing or replacing, at our option, any defective product.

5195