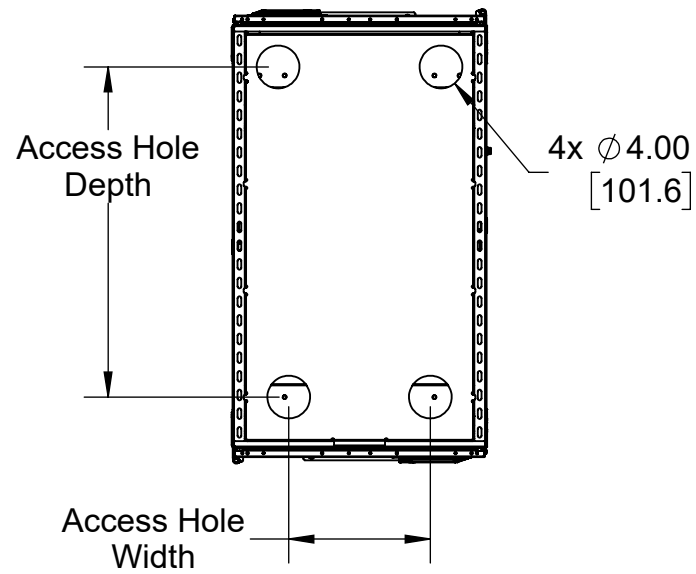


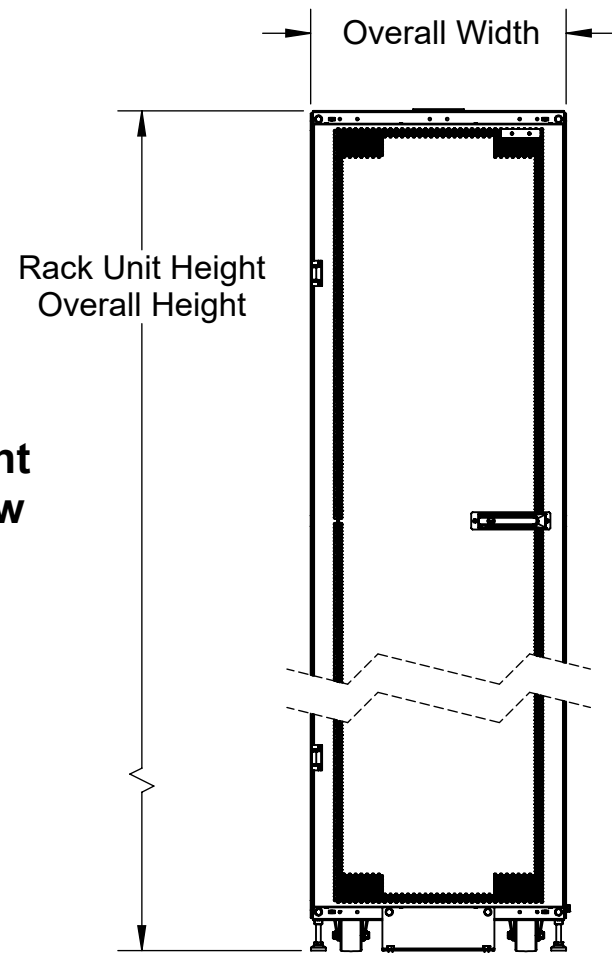
# RS148

| SKU#     | Rack Unit Height | Overall Height  | Overall Width | Overall Depth  | Access Hole Depth | Access Hole Width |
|----------|------------------|-----------------|---------------|----------------|-------------------|-------------------|
| 148-8423 | 42U              | 79.73 [2025.2]  | 23.95 [608.3] | 42.58 [1081.6] | 30.95 [786.1]     | 13.27 [337.2]     |
| 148-8450 | 48U              | 90.25 [2292.35] | 23.95 [608.3] | 48.54 [1232.9] | 36.95 [938.53]    | 13.27 [337.2]     |
| 148-8601 | 48U              | 90.25 [2292.35] | 30 [762]      | 48.54 [1232.9] | 36.95 [938.53]    | 19.27 [489.5]     |

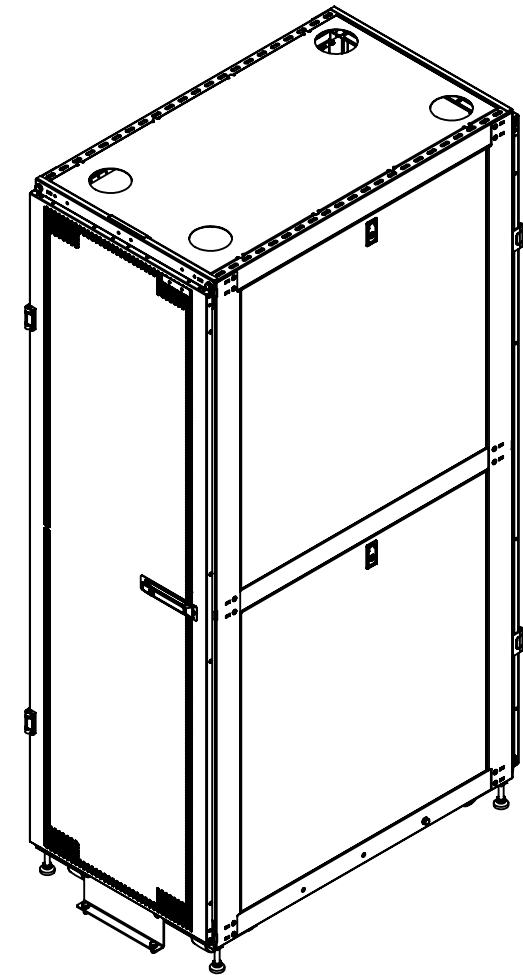
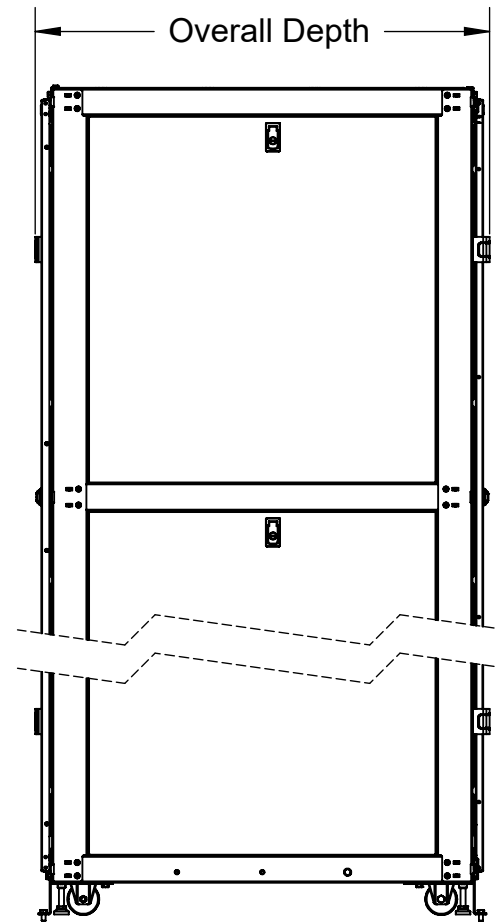
**Top View**



**Front View**



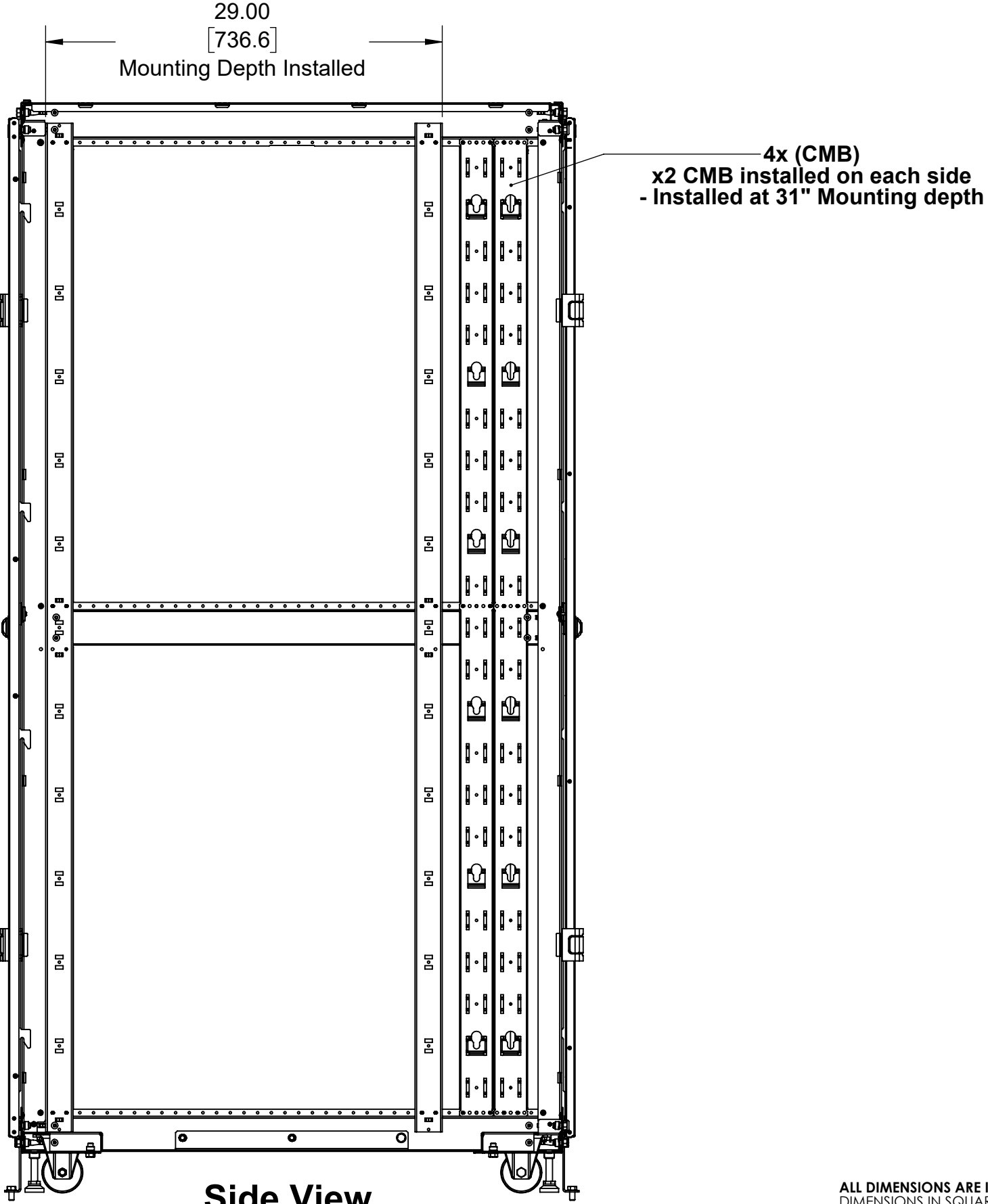
**Side View**



**Overview**

ALL DIMENSIONS ARE IN INCHES.  
DIMENSIONS IN SQUARE BRACKETS ARE IN  
[MILLIMETERS] AND FOR REFERENCE ONLY.  
PROPRIETARY AND CONFIDENTIAL

# RS148 Outline



Side View

ALL DIMENSIONS ARE IN INCHES.  
DIMENSIONS IN SQUARE BRACKETS ARE IN  
[MILLIMETERS] AND FOR REFERENCE ONLY.  
PROPRIETARY AND CONFIDENTIAL