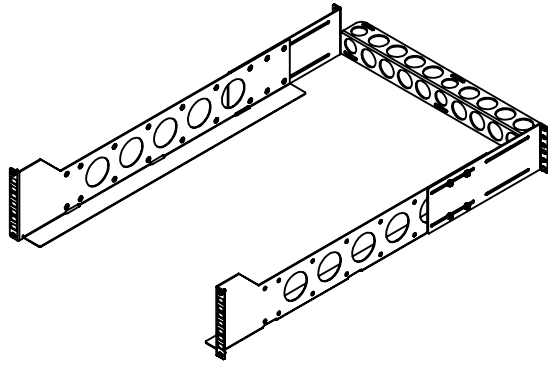
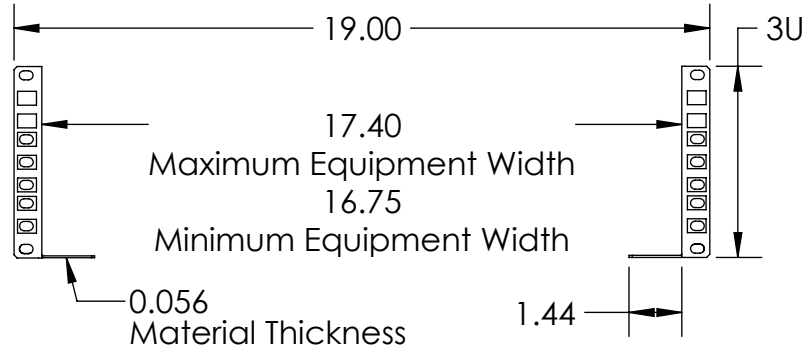


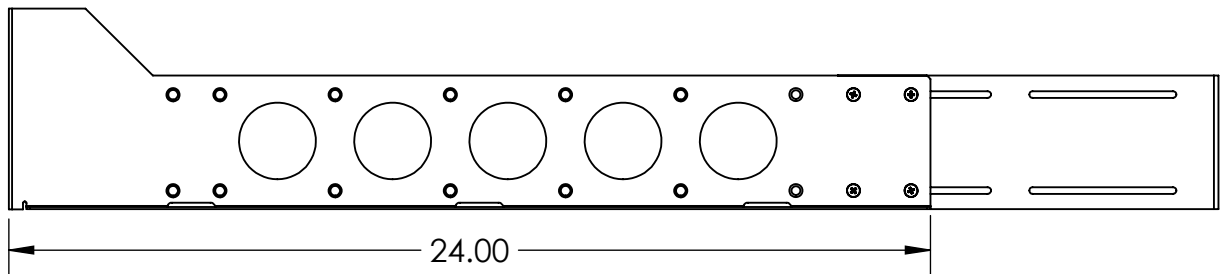
4 Post Mount  
Overview



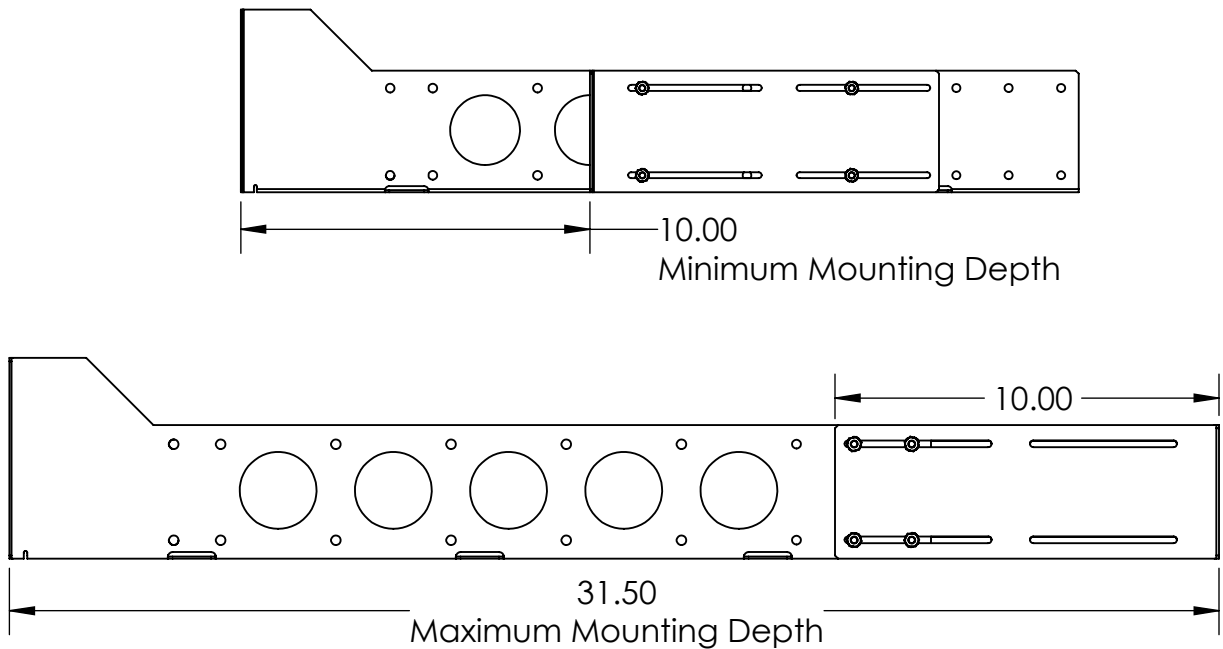
Front View



Rail  
Interior View



Rail  
Exterior View



Tolerance  $\pm 0.01$

ALL DIMENSIONS ARE IN INCHES.

Printed on 9/12/2022

Sheet 1 of 2

**RackSolutions**<sup>®</sup>

Outline Drawing  
racksolutions.com

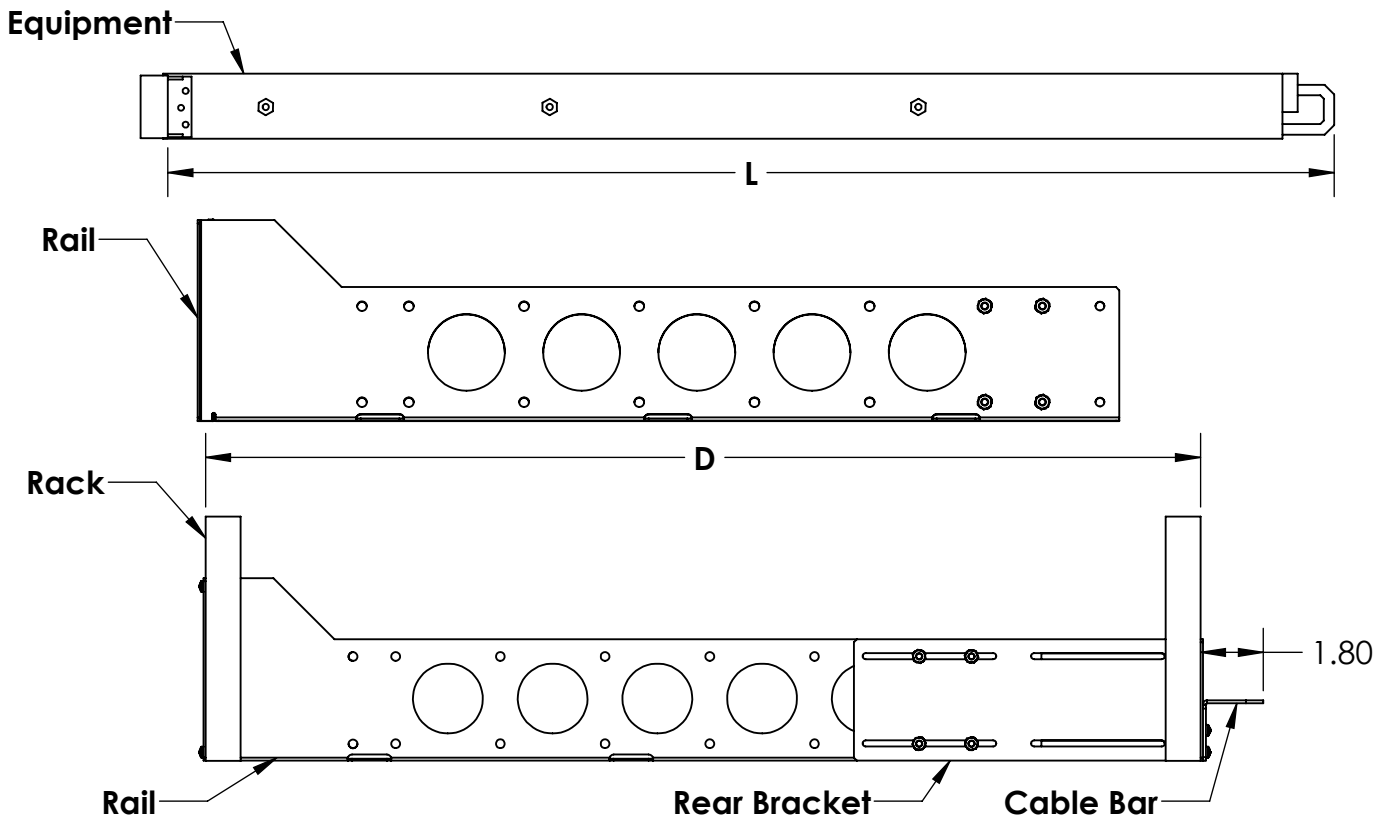
Dwg No & Rev  
3UKIT-109-920

## 4 Post Mount Rack Fit Guide

**Note:**

A **positive** value indicates the answer to the corresponding question is **Yes**.  
 A **negative** value indicates the answer to the corresponding question is **No**.

<u>Question</u>	<u>Formula</u>
Will the <u>rail</u> extend past the <u>rack</u> ?	24 - D
Will the <u>rail</u> extend past the <u>equipment</u> ?	24 - L
Will the <u>equipment</u> extend past the <u>rack</u> ?	L - D
<u>Variables</u>	<b>D</b> = Rack Mounting Depth <b>L</b> = Equipment Length



**Note: Cable Bar cannot be used on Racks less than 24" deep**

Tolerance ± 0.01

ALL DIMENSIONS ARE IN INCHES.

Printed on 9/12/2022

Sheet 2 of 2

**RackSolutions®**

Outline Drawing  
racksolutions.com

Dwg No & Rev  
3UKIT-109-920