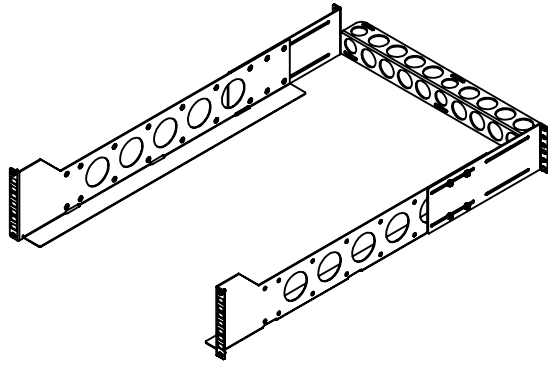
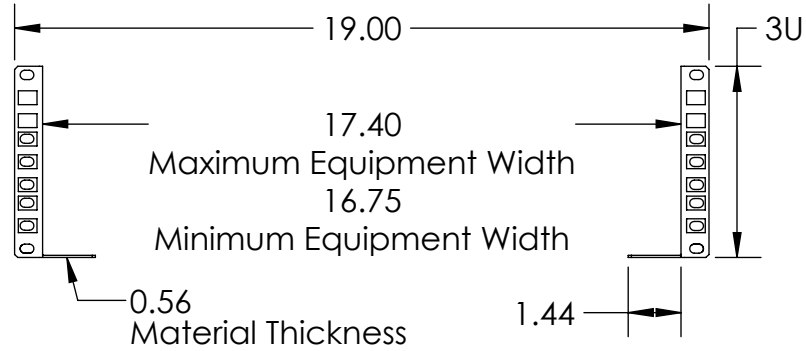


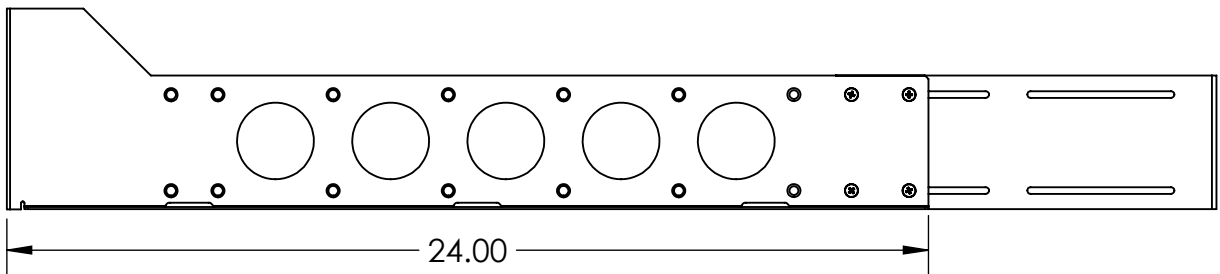
4 Post Mount  
Overview



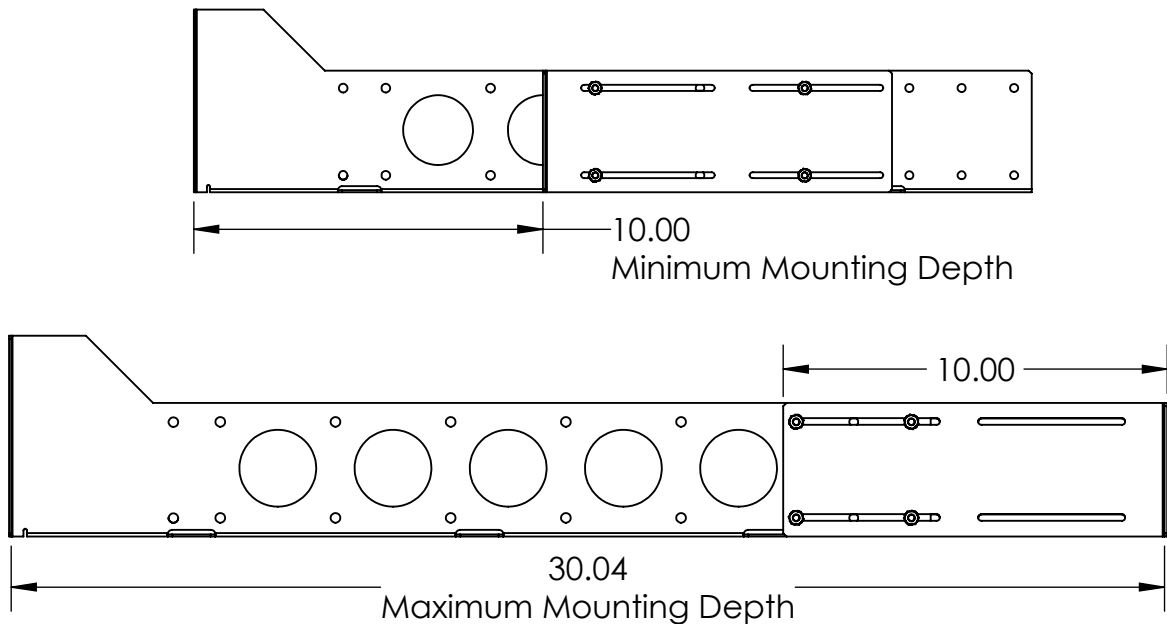
Front View



Rail  
Interior View



Rail  
Exterior View



Tolerance  $\pm 0.01$

ALL DIMENSIONS ARE IN INCHES.

Printed on 3/17/2022

Sheet 1 of 2

**RackSolutions®**

Outline Drawing  
racksolutions.com

Dwg No & Rev  
3UKIT-109-920

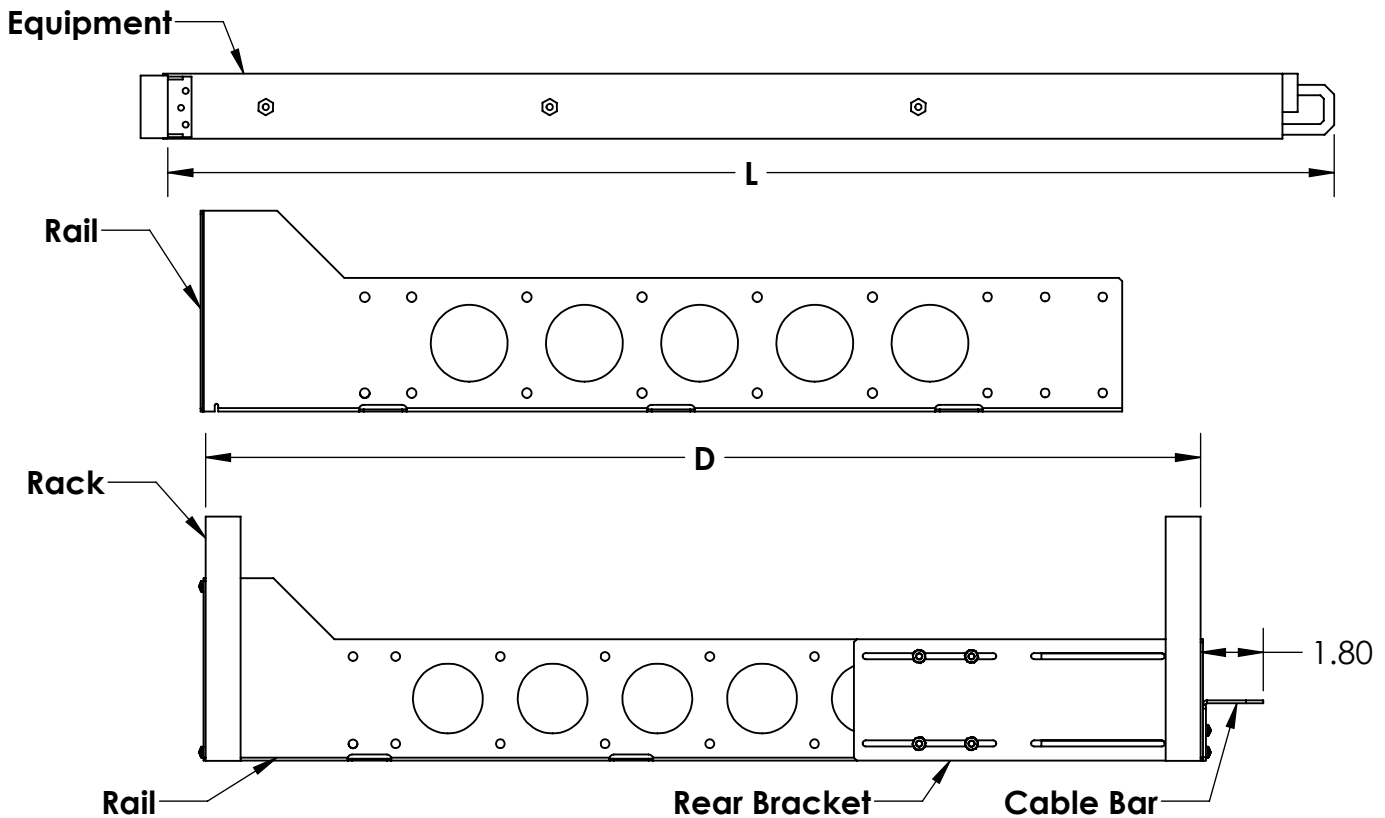
## 4 Post Mount Rack Fit Guide

**Note:**

A **positive** value indicates the answer to the corresponding question is **Yes**.

A **negative** value indicates the answer to the corresponding question is **No**.

<u>Question</u>	<u>Formula</u>
Will the <b>rail</b> extend past the <b>rack</b> ?	$24 - D$
Will the <b>rail</b> extend past the <b>equipment</b> ?	$24 - L$
Will the <b>equipment</b> extend past the <b>rack</b> ?	$L - D$
<b>Variables</b>	<b>D</b> = Rack Mounting Depth <b>L</b> = Equipment Length



**Note: Cable Bar cannot be used on Racks less than 24" deep**

Tolerance  $\pm 0.01$

ALL DIMENSIONS ARE IN INCHES.

Printed on 3/17/2022

Sheet 2 of 2

**RackSolutions®**

Outline Drawing  
racksolutions.com

Dwg No & Rev  
3UKIT-109-920