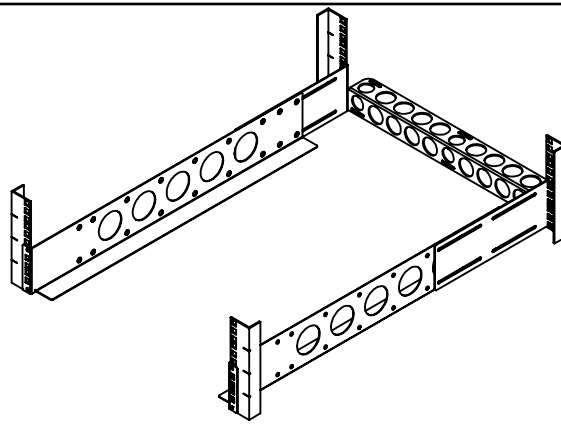
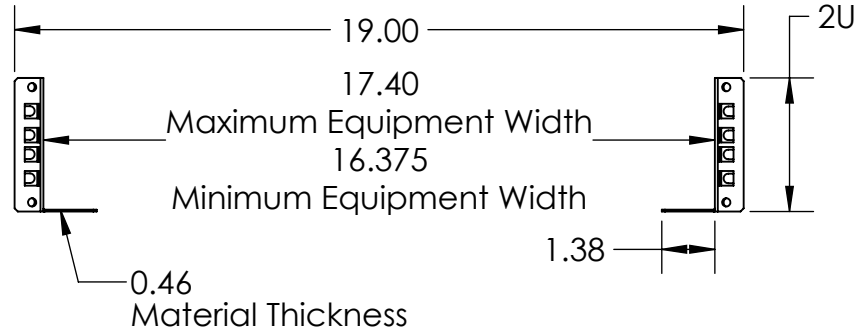


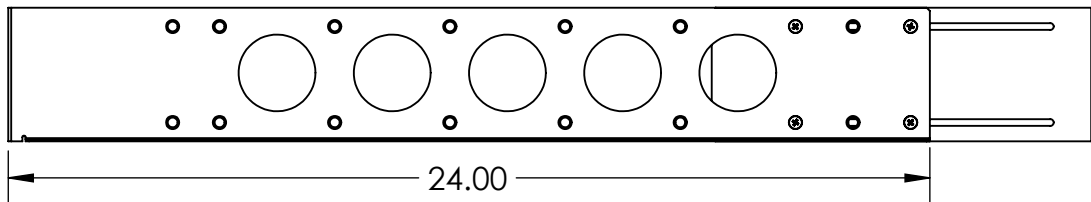
4 Post Mount
Overview



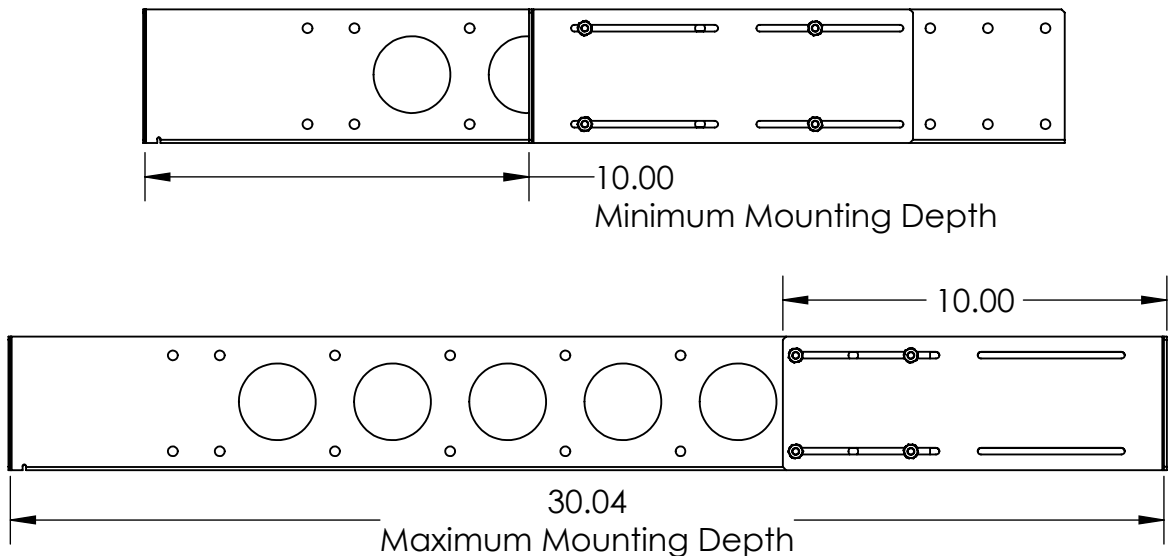
Front View



Rail
Interior View



Rail
Exterior View



Tolerance ± 0.01

ALL DIMENSIONS ARE IN INCHES.

Printed on 3/17/2022

Sheet 1 of 2

RackSolutions[®]

Outline Drawing
racksolutions.com

Dwg No & Rev
2UKIT-109-920

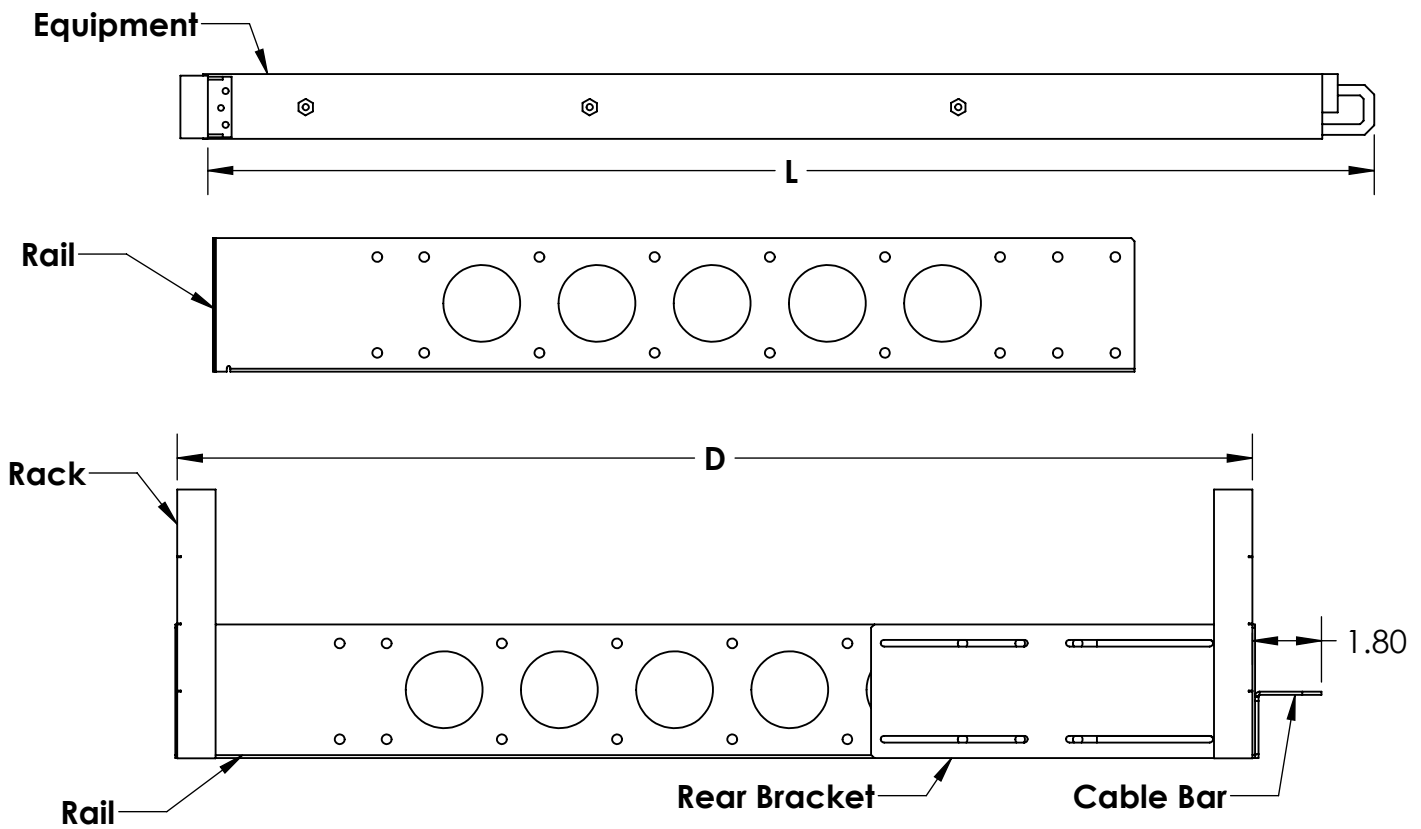
4 Post Mount Rack Fit Guide

Note:

A **positive** value indicates the answer to the corresponding question is **Yes**.

A **negative** value indicates the answer to the corresponding question is **No**.

<u>Question</u>	<u>Formula</u>
Will the <u>rail</u> extend past the <u>rack</u> ?	$24 - D$
Will the <u>rail</u> extend past the <u>equipment</u> ?	$24 - L$
Will the <u>equipment</u> extend past the <u>rack</u> ?	$L - D$
<u>Variables</u>	D = Rack Mounting Depth L = Equipment Length



Note: Cable Bar cannot be used on Racks less than 24" deep

Tolerance ± 0.01

ALL DIMENSIONS ARE IN INCHES.

Printed on 3/17/2022

Sheet 2 of 2

RackSolutions[®]

Outline Drawing
racksolutions.com

Dwg. No & Rev
2UKIT-109-920