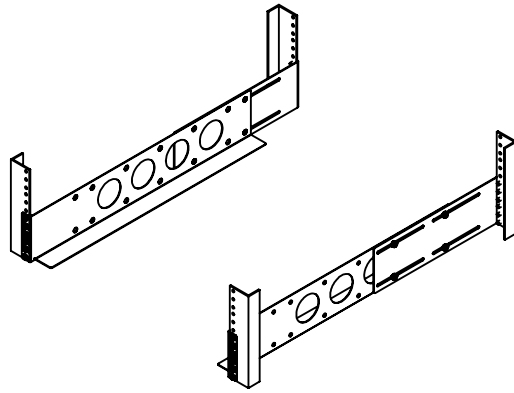
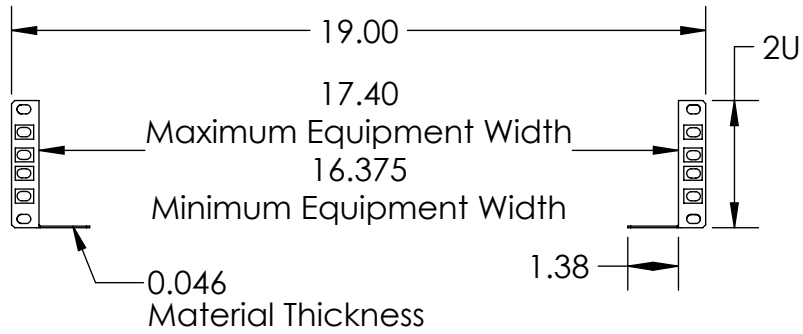


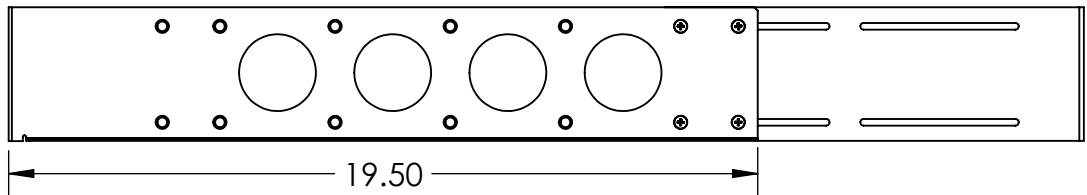
4 Post Mount  
Overview



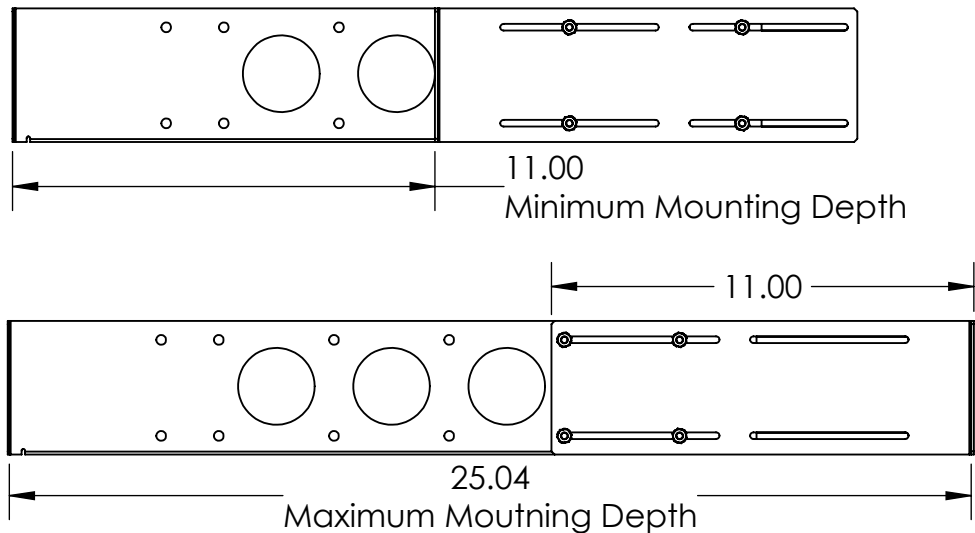
Front View



Rail  
Interior View



Rail  
Exterior View



Tolerance  $\pm 0.01$

ALL DIMENSIONS ARE IN INCHES.

Printed on 3/28/2022

Sheet 1 of 2

**RackSolutions**<sup>®</sup>

Outline Drawing  
racksolutions.com

Dwg No & Rev  
2UKIT-109-20-920

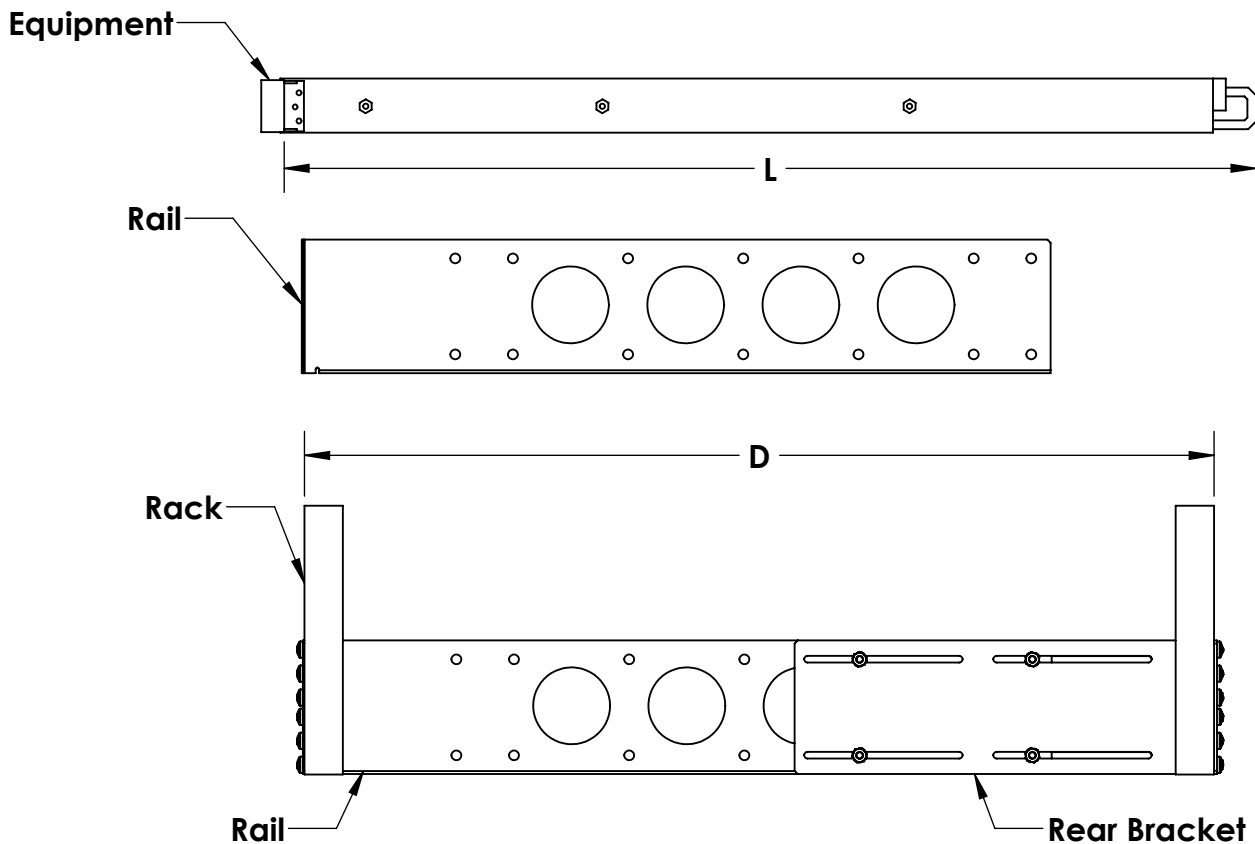
## 4 Post Mount Rack Fit Guide

**Note:**

A **positive** value indicates the answer to the corresponding question is **Yes**.

A **negative** value indicates the answer to the corresponding question is **No**.

<u>Question</u>	<u>Formula</u>
Will the <u>rail</u> extend past the <u>rack</u> ?	$19.5 - D$
Will the <u>rail</u> extend past the <u>server</u> ?	$19.5 - L$
Will the <u>Equipment</u> extend past the <u>rack</u> ?	$L - D$
<u>Variables</u>	<b>D</b> = Rack Mounting Depth <b>L</b> = Equipment Length



Tolerance  $\pm 0.01$

ALL DIMENSIONS ARE IN INCHES.

Printed on 3/28/2022

Sheet 2 of 2

**RackSolutions<sup>®</sup>**

Outline Drawing  
racksolutions.com

Dwg No & Rev  
2UKIT-109-20-920