

2POST FLUSH CONFIGURATION

Printed on 2/14/2020

Sheet 1 of 2

**RackSolutions.com**  
888-903-RACK (7225)

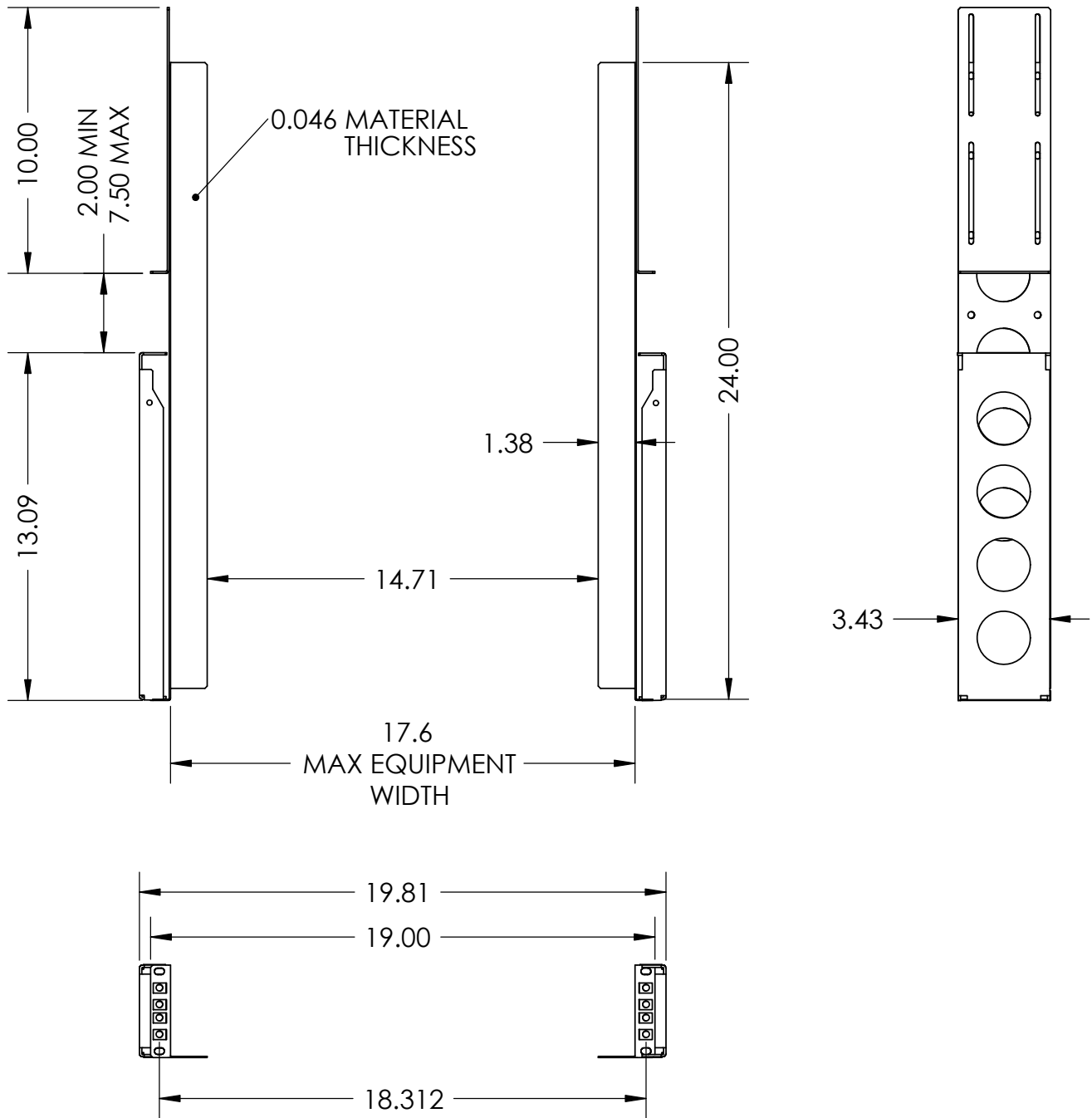
Outline Drawing

Dwg No & Rev

2UKIT-009-920

**SAFETY NOTE: 16.375" MIN EQUIPMENT WIDTH**

ALL DIMENSIONS ARE IN INCHES



2POST CENTERED CONFIGURATION

Printed on 2/14/2020

Sheet 2 of 2

**RackSolutions.com**  
888-903-RACK (7225)

Outline Drawing

Dwg No & Rev

2UKIT-009-920

**SAFETY NOTE: 16.375" MIN EQUIPMENT WIDTH**

ALL DIMENSIONS ARE IN INCHES.